



Chipsmall Limited consists of a professional team with an average of over 10 year of expertise in the distribution of electronic components. Based in Hongkong, we have already established firm and mutual-benefit business relationships with customers from,Europe,America and south Asia,supplying obsolete and hard-to-find components to meet their specific needs.

With the principle of “Quality Parts,Customers Priority,Honest Operation,and Considerate Service”,our business mainly focus on the distribution of electronic components. Line cards we deal with include Microchip,ALPS,ROHM,Xilinx,Pulse,ON,Everlight and Freescale. Main products comprise IC,Modules,Potentiometer,IC Socket,Relay,Connector.Our parts cover such applications as commercial,industrial, and automotives areas.

We are looking forward to setting up business relationship with you and hope to provide you with the best service and solution. Let us make a better world for our industry!



Contact us

Tel: +86-755-8981 8866 Fax: +86-755-8427 6832

Email & Skype: info@chipsmall.com Web: www.chipsmall.com

Address: A1208, Overseas Decoration Building, #122 Zhenhua RD., Futian, Shenzhen, China



ADJUSTABLE TORQUE HINGE



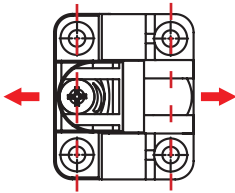
Specifications

- Material:
 - Body: Polyamide DIN-EN ISO 1043-1 PA6 GFR 30
 - Screws and Nuts: Stainless Steel (AISI 304)
- Axial load: (N)
- Working load: 1500
- Breaking load weight: 2350
- Radial load: (N)
- Working load: 2250
- Breaking load weight: 3200
- Torque value: 4 Nm
- Working temperature: 23°F to 149°F (-5°C to 65°C)
- Screw and nut: M6
(Bolts and nut are not supplied)

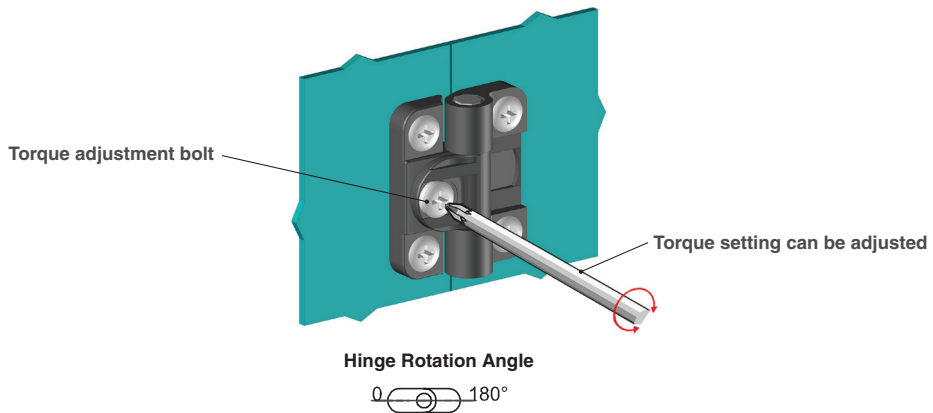
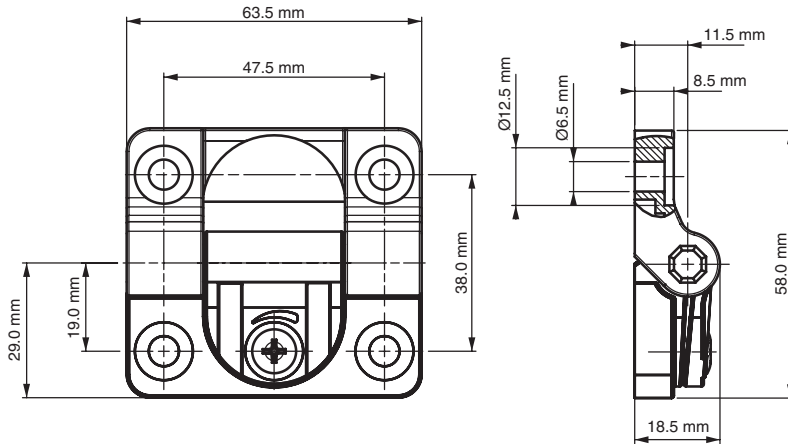
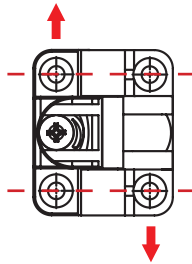
Features

- Hinge torque can be adjusted by screw
- Provides position control
- Suitable for left- and right-hand applications
- Installed by M6 screw
- Applications: Generally used for plain / flush-mounted doors

Axial load (N)



Radial load (N)



Item Number	Hinge Rotation	Material	Finish
249920	180°	Nylon	Black