



Chipsmall Limited consists of a professional team with an average of over 10 year of expertise in the distribution of electronic components. Based in Hongkong, we have already established firm and mutual-benefit business relationships with customers from,Europe,America and south Asia,supplying obsolete and hard-to-find components to meet their specific needs.

With the principle of "Quality Parts,Customers Priority,Honest Operation,and Considerate Service",our business mainly focus on the distribution of electronic components. Line cards we deal with include Microchip,ALPS,ROHM,Xilinx,Pulse,ON,Everlight and Freescale. Main products comprise IC,Modules,Potentiometer,IC Socket,Relay,Connector.Our parts cover such applications as commercial,industrial, and automotives areas.

We are looking forward to setting up business relationship with you and hope to provide you with the best service and solution. Let us make a better world for our industry!



Contact us

Tel: +86-755-8981 8866 Fax: +86-755-8427 6832

Email & Skype: info@chipsmall.com Web: www.chipsmall.com

Address: A1208, Overseas Decoration Building, #122 Zhenhua RD., Futian, Shenzhen, China



T-2 SLIDE BASED LAMPS 24LS SERIES



- Replaces 24E and 24X incandescent bulbs
- For GE ET-5, ET-6 and Westinghouse Minalite Socket
- Built-in shunt resistor to clamp noise current
- Bi-polar (optional)
- High-intensity
- Up to 100,000-hour life
- Shock and vibration resistant

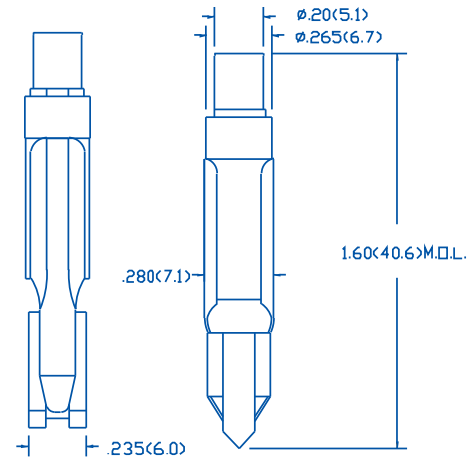
The PowerLine® 24LS series LED lamps are designed as drop-in replacements for the industry-standard 24E and 24X incandescent bulbs. Several models are available designed specifically for operation in GE ET-5, ET-6 and Westinghouse Minalite sockets. No modification to input voltage or series resistance is required.

ET-5 socket not included

To select a PowerLine® LED lamp:

1. Identify your input voltage and series resistor from the chart below.
Series resistor values are usually marked on the socket.
2. Select the appropriate PowerLine® LED part number.
3. Replace "X1" in the part number with the color code (see LED color code chart below)

INPUT VOLTAGE	SERIES RESISTOR	MAXIMUM VOLTAGE	PowerLine® LED PART #	BI-POLAR
130AC/DC 48DC	3.2KΩ 900Ω	140 56	24LS4-X1	YES
130DC 24DC 48DC 600DC	3.2KΩ 110Ω 900Ω 20KΩ	140 26 56 650	24LS2-X1	NO
130DC	2KΩ	140	24LS8-X1	YES
67AC 115AC 230AC 250AC 460AC 575AC	1.5KΩ 2.8KΩ 6.3KΩ 7.2KΩ 13KΩ 17KΩ	75 125 250 280 500 630	24LS10-X1	YES
125DC 250DC	Dim/Bright	140 280	24LS12-X1	YES
115AC 230AC	Dim/Bright	125 250	24LS16-X1	YES



24LS Series
Slide Base #3

LED COLOR CODE	EMITTED COLOR	Used to illuminate the following lenses							
		Red	Orange	Amber	Yellow	Green	Blue	White	Clear
-R1	Red	*						*	*
-O1	Orange		*	*				*	*
-A1	Amber			*	*			*	*
-G1	Green					*		*	*
-B1	Blue						*	*	*
-W1	White							*	*

All dimensions are in inches (mm) Tolerances: .xx"(.x) ±.025"(.63)/ .xxx"(.xx)±.010"(.25) Specifications are subject to change without notice.