



Chipsmall Limited consists of a professional team with an average of over 10 year of expertise in the distribution of electronic components. Based in Hongkong, we have already established firm and mutual-benefit business relationships with customers from,Europe,America and south Asia,supplying obsolete and hard-to-find components to meet their specific needs.

With the principle of "Quality Parts,Customers Priority,Honest Operation,and Considerate Service",our business mainly focus on the distribution of electronic components. Line cards we deal with include Microchip,ALPS,ROHM,Xilinx,Pulse,ON,Everlight and Freescale. Main products comprise IC,Modules,Potentiometer,IC Socket,Relay,Connector.Our parts cover such applications as commercial,industrial, and automotives areas.

We are looking forward to setting up business relationship with you and hope to provide you with the best service and solution. Let us make a better world for our industry!



Contact us

Tel: +86-755-8981 8866 Fax: +86-755-8427 6832

Email & Skype: info@chipsmall.com Web: www.chipsmall.com

Address: A1208, Overseas Decoration Building, #122 Zhenhua RD., Futian, Shenzhen, China



5

4

3

2

1

DRAWING NO.
25-7020

REVISIONS

01	OFFICIAL RELEASE			
	10-21-09			Betty

Description: CPF59 1/2 F-59(M) Crimp, RG59

Part No: 25-7020

Application: For RG-59 cable

Crimp Tool: 24-9959P

Impedance: 75ohms

Frequency Range: 750 MHz

Material: Body Nickel plated

Sleeve Nickel plated

Nut Nickel plated

Yes

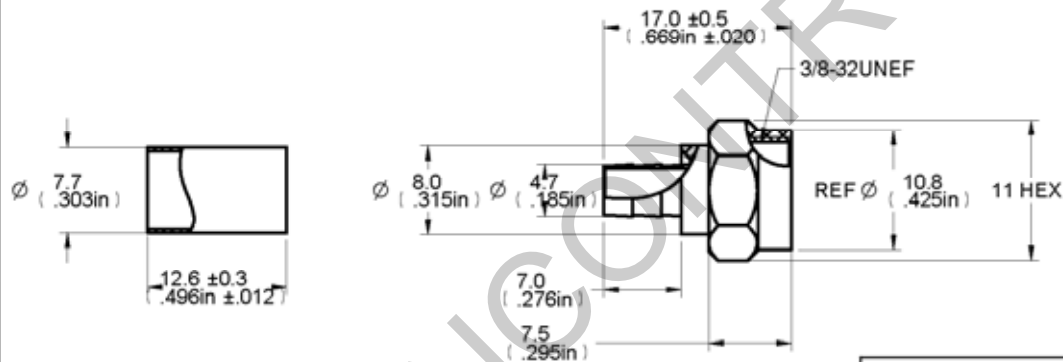
RoHS Compliance: N/A

Technical Detail: Refer to Emerson document P/N 25-0000



受控 CONTROLLED DOCUMENT

编号 P/N	25-7036-CUST	版本 Rev	01	日期 Rel'd Date	DEC 17,09
-----------	--------------	-----------	----	------------------	-----------



DIM OUTLINE

CUSTOMER COPY

TOLERANCE UNLESS OTHERWISE SPECIFIED		DRAWN BY LINDA.WU	DATE 10-21-09
DECIMALS	mm	CHECKED BY LINDA.WU	DATE 10-21-09
X	± 0.5	APPROVED BY THOMAS	DATE 10-21-09
X.X	± 0.3	U/M	mm
X.XX	± 0.1		
ANGLES	± 0.5°		

TITLE
CPF59 1/2 F-59(M) CRIMP, RG59

SHEET 1 OF 1	DRAWING NO. 25-7020	SIZE A
-----------------	------------------------	-----------

THIS DRAWING WAS PRODUCED BY COMPUTER,
DO NOT SCALE DRAWING OR UPDATE MANUALLY.

5

4

3

2

1