



Chipsmall Limited consists of a professional team with an average of over 10 year of expertise in the distribution of electronic components. Based in Hongkong, we have already established firm and mutual-benefit business relationships with customers from,Europe,America and south Asia,supplying obsolete and hard-to-find components to meet their specific needs.

With the principle of “Quality Parts,Customers Priority,Honest Operation,and Considerate Service”,our business mainly focus on the distribution of electronic components. Line cards we deal with include Microchip,ALPS,ROHM,Xilinx,Pulse,ON,Everlight and Freescale. Main products comprise IC,Modules,Potentiometer,IC Socket,Relay,Connector.Our parts cover such applications as commercial,industrial, and automotives areas.

We are looking forward to setting up business relationship with you and hope to provide you with the best service and solution. Let us make a better world for our industry!



Contact us

Tel: +86-755-8981 8866 Fax: +86-755-8427 6832

Email & Skype: info@chipsmall.com Web: www.chipsmall.com

Address: A1208, Overseas Decoration Building, #122 Zhenhua RD., Futian, Shenzhen, China



5

4

3

2

1

DRAWING NO. 25-7300-CUST			
REVISIONS			
01	OFFICIAL RELEASE		
	08-21-09	Y U U U	T H H H <i>Betty</i>



Description: PL259 Male Solder UHF 20lbs, RG8,RG213

Part No: 25-7300

Application: For RG-8,11,213,214 Cable

Crimp Tool: N/A

Impedance: N/A

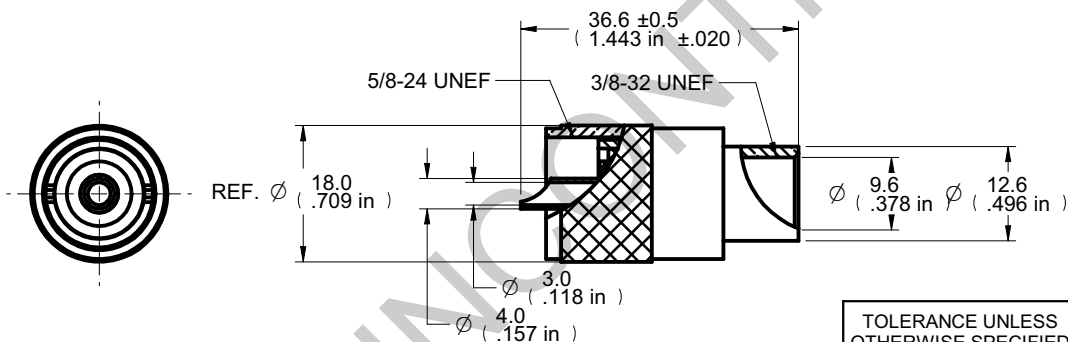
Frequency Range: 0-500 MHz

Material: Body Brass Nickel plated
Contact Brass Nickel plated
Nut Brass Nickel plated
Insulator Delrin

RoHS Compliance: Yes

Technical Detail: Refer to Emerson Document P/N 29-0000

受控 CONTROLLED DOCUMENT					
编号 P/N	25-7300-CUST	版本 Rev	01	日期 Rel'd Date	SEP 14,09



DIM OUTLINE

CUSTOMER COPY

TOLERANCE UNLESS OTHERWISE SPECIFIED		DRAWN BY	DATE
DECIMALS	mm	BETTY.YU	08-21-09
X	± 0.5	CHECKED BY	DATE
X.X	± 0.3	BETTY.YU	08-21-09
X.XX	± 0.1	APPROVED BY	DATE
ANGLES	± 0.5°	THOMAS	08-21-09
	U/M	mm	



TITLE
PL259 MALE SOLDER UHF 20 LBS,RG8,RG213

THIS DRAWING WAS PRODUCED BY COMPUTER, DO NOT SCALE DRAWING OR UPDATE MANUALLY.

SHEET 1 OF 1	DRAWING NO. 25-7300-CUST	SIZE A
-----------------	------------------------------------	------------------

5

4

3

2

1