



Chipsmall Limited consists of a professional team with an average of over 10 year of expertise in the distribution of electronic components. Based in Hongkong, we have already established firm and mutual-benefit business relationships with customers from,Europe,America and south Asia,supplying obsolete and hard-to-find components to meet their specific needs.

With the principle of “Quality Parts,Customers Priority,Honest Operation,and Considerate Service”,our business mainly focus on the distribution of electronic components. Line cards we deal with include Microchip,ALPS,ROHM,Xilinx,Pulse,ON,Everlight and Freescale. Main products comprise IC,Modules,Potentiometer,IC Socket,Relay,Connector.Our parts cover such applications as commercial,industrial, and automotives areas.

We are looking forward to setting up business relationship with you and hope to provide you with the best service and solution. Let us make a better world for our industry!



Contact us

Tel: +86-755-8981 8866 Fax: +86-755-8427 6832

Email & Skype: info@chipsmall.com Web: www.chipsmall.com

Address: A1208, Overseas Decoration Building, #122 Zhenhua RD., Futian, Shenzhen, China



5

4

3

2

1

受控 CONTROLLED DOCUMENT

编号 P/N	25-7307-CUST	版本 Rev	01	日期 Rel'd Date	May8,09
-----------	--------------	-----------	----	------------------	---------

DRAWING NO.
25-7307 -CUST

REVISIONS

01	OFFICIAL RELEASE				Thomas Chow
	03-10-09	T W	Y U	T H	

D



Description: UHF Straight Plug for RG 58

Part No: 25-7307

Application: For Cable RG 58

Crimp Tool: 24-9958P

Impedance: N/A

Frequency Range: 0-500 MHz

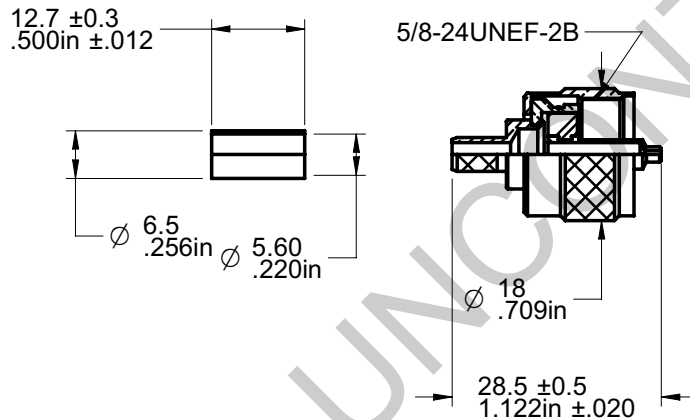
Material: Body Brass Nickel plated
 Contact Brass Nickel plated
 Insulator Delin
 Spring Steel Nickel plated

RoHS Compliance: Yes

Technical Detail: Refer to Emerson Document P/N 29-0000


C

B

**DIM OUTLINE**

CUSTOMER COPY

TOLERANCE UNLESS OTHERWISE SPECIFIED		DRAWN BY TERRY.W	DATE 03-10-09
DECIMALS	mm	CHECKED BY BETTY.YU	DATE 03-10-09
X	± 0.5	APPROVED BY THOMAS	DATE 03-10-09
X.X	± 0.3		
X.XX	± 0.1		
ANGLES	± 0.5°	U/M	mm

 cinch CONNECTIVITY SOLUTIONS a bel group	

SHEET 1 OF 1	DRAWING NO. 25-7307-CUST	SIZE A
-----------------	-----------------------------	-----------

THIS DRAWING WAS PRODUCED BY COMPUTER,
DO NOT SCALE DRAWING OR UPDATE MANUALLY.

A

5

4

3

2

1