



Chipsmall Limited consists of a professional team with an average of over 10 year of expertise in the distribution of electronic components. Based in Hongkong, we have already established firm and mutual-benefit business relationships with customers from,Europe,America and south Asia,supplying obsolete and hard-to-find components to meet their specific needs.

With the principle of “Quality Parts,Customers Priority,Honest Operation,and Considerate Service”,our business mainly focus on the distribution of electronic components. Line cards we deal with include Microchip,ALPS,ROHM,Xilinx,Pulse,ON,Everlight and Freescale. Main products comprise IC,Modules,Potentiometer,IC Socket,Relay,Connector.Our parts cover such applications as commercial,industrial, and automotives areas.

We are looking forward to setting up business relationship with you and hope to provide you with the best service and solution. Let us make a better world for our industry!



## Contact us

Tel: +86-755-8981 8866 Fax: +86-755-8427 6832

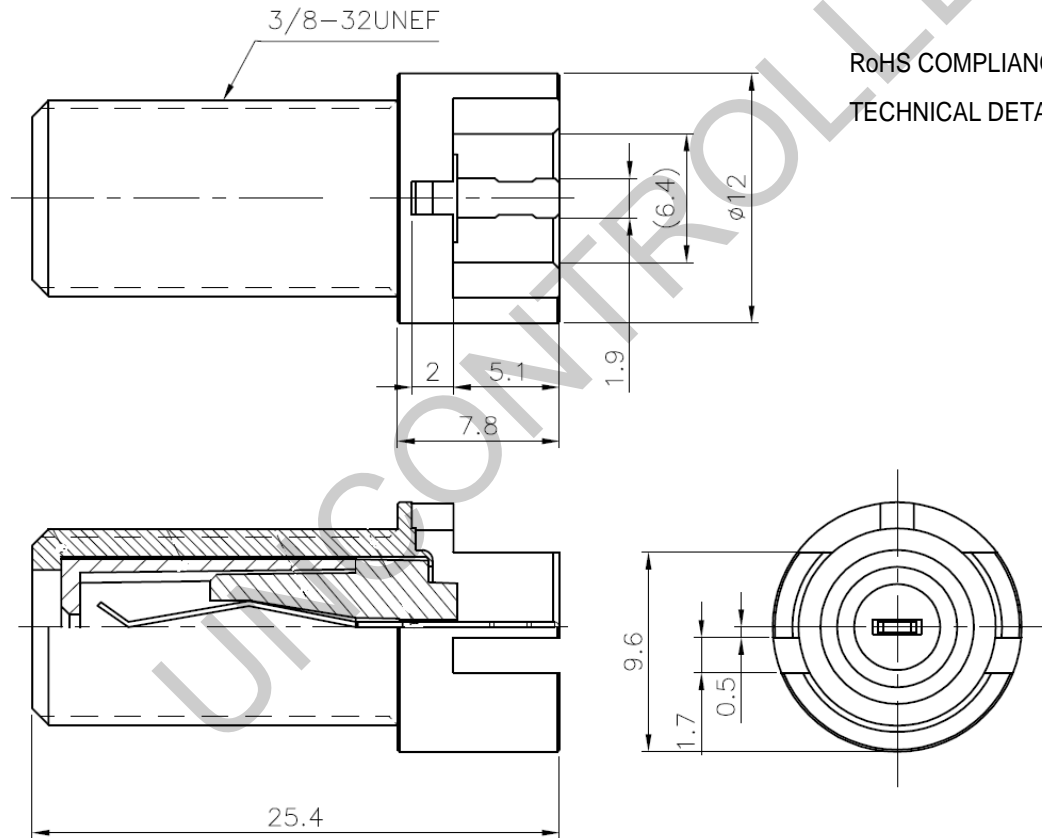
Email & Skype: info@chipsmall.com Web: www.chipsmall.com

Address: A1208, Overseas Decoration Building, #122 Zhenhua RD., Futian, Shenzhen, China





DESCRIPTION: F JACK SIDE EDGE, PCB MOUNT  
 MODEL NUMBER: 25-7630  
 APPLICATION: PCB MOUNT  
 CRIMP TOOL: N/A  
 IMPEDANCE: 75 OHM  
 FREQUENCY RANGE: 0-1 GHz  
 RETURN LOSS: 34dB (0-250MHz)  
 23dB (250-750MHz)  
 19dB (750~1GHz)  
 MATERIAL: BODY BRASS SN PLATED  
 INSULATOR PP  
 CONTACT PHOS. BRNZ SN PLATED  
 RoHS COMPLIANCE: YES  
 TECHNICAL DETAIL: REFET TO EMERSON DOCUMENT 25-0000



		<b>AIM-Cambridge</b>	
	<b>RoHS</b> 2002/95/EC	Title: (CPF61SE) F Jack side edge, PCB Mount	
<small>           This PROPRIETARY Document is property of Cinch Connectivity Solutions. It is confidential in nature, non-transferable, and issued with the clear understanding that it is not traced or copied without permission and is returnable upon demand.         </small>	<small>UNLESS OTHERWISE SPECIFIED</small> UNITS: METRIC .XX ±.51 .XXX ±.127 ANGLES ±2°	Model No. 25-7630	
<small>           INTERPRET DRAWING IN ACCORDANCE WITH ASME Y14.5-2009.         </small>	Size A	DO NOT SCALE DRAWING	Date: 10/16/2013
			Sheet 1 of 1