



Chipsmall Limited consists of a professional team with an average of over 10 year of expertise in the distribution of electronic components. Based in Hongkong, we have already established firm and mutual-benefit business relationships with customers from,Europe,America and south Asia,supplying obsolete and hard-to-find components to meet their specific needs.

With the principle of "Quality Parts,Customers Priority,Honest Operation,and Considerate Service",our business mainly focus on the distribution of electronic components. Line cards we deal with include Microchip,ALPS,ROHM,Xilinx,Pulse,ON,Everlight and Freescale. Main products comprise IC,Modules,Potentiometer,IC Socket,Relay,Connector.Our parts cover such applications as commercial,industrial, and automotives areas.

We are looking forward to setting up business relationship with you and hope to provide you with the best service and solution. Let us make a better world for our industry!



Contact us

Tel: +86-755-8981 8866 Fax: +86-755-8427 6832

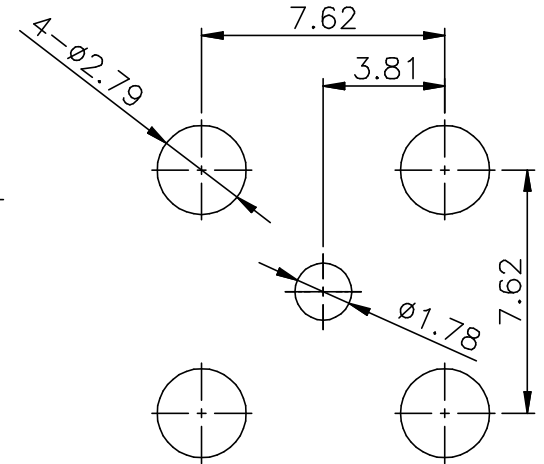
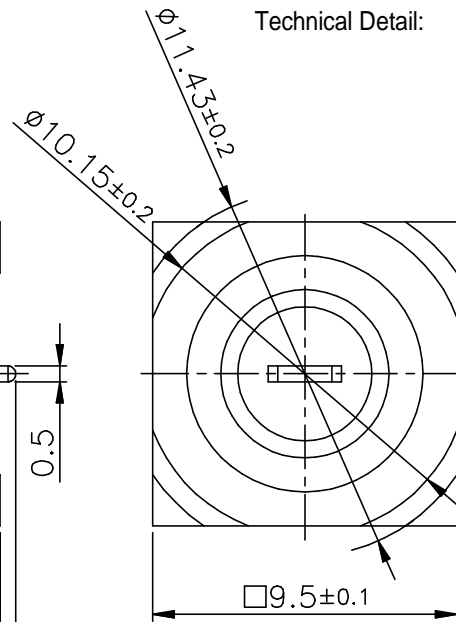
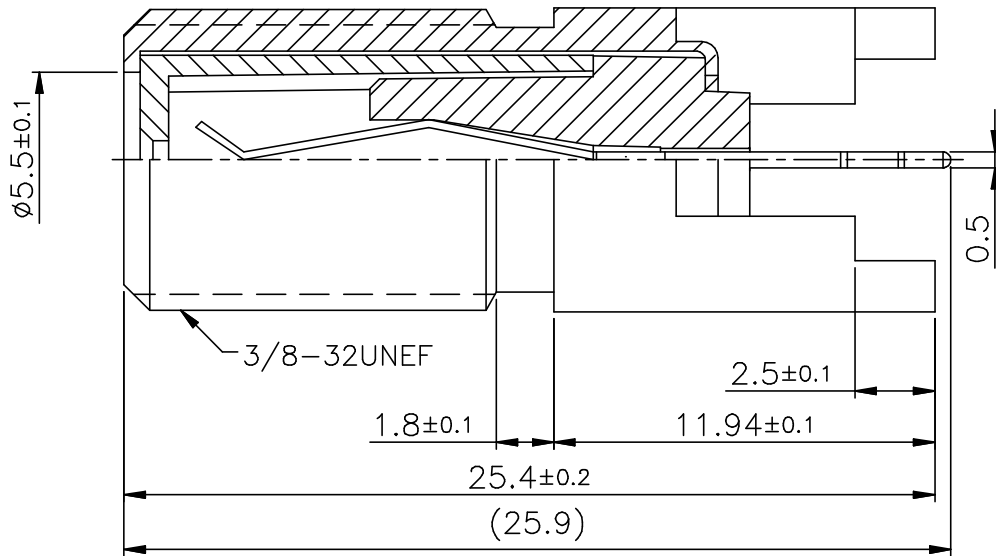
Email & Skype: info@chipsmall.com Web: www.chipsmall.com

Address: A1208, Overseas Decoration Building, #122 Zhenhua RD., Futian, Shenzhen, China

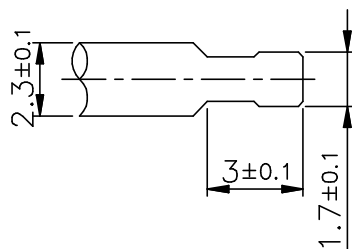




DESCRIPTION: F-61 JACK, VERTICAL, PCB MOUNT
 MODEL NUMBER: 25-7650
 APPLICATION: FOR PCB MOUNT
 IMPEDANCE: 75 OHMS
 FREQUENCY RANGE: 0-1 GHz
 MATERIAL: BODY BRASS TIN PLATED
 CONTACT PHOS. BRONZE TIN PLATED
 INSULATOR PP
 RoHS Compliance: YES
 Technical Detail: REFER TO CINCH DOCUMENT PN 25-0000



Suggested PCB Holes



cinch
 CONNECTIVITY SOLUTIONS
 a 3M group
 This PROPRIETARY Document is property of Cinch Connectivity Solutions. It is confidential in nature, non-transferable, and issued with the clear understanding that it is not to be copied without permission and is returnable upon demand.
 INTERPRET DRAWING IN ACCORDANCE WITH ASME Y14.5-2009.

3RD ANGLE PROJECTION		AIM-Cambridge	
RoHS2 <input checked="" type="checkbox"/> 2011/65/EU		Title: (CPF61PC) 61-F Jack, Vertical, PCB Mount	
UNLESS OTHERWISE SPECIFIED UNITS: METRIC		Model No. 25-7650	
Size A	DO NOT SCALE DRAWING	Date: 2017/8/7	Sheet 1 of 1