



Chipsmall Limited consists of a professional team with an average of over 10 year of expertise in the distribution of electronic components. Based in Hongkong, we have already established firm and mutual-benefit business relationships with customers from,Europe,America and south Asia,supplying obsolete and hard-to-find components to meet their specific needs.

With the principle of “Quality Parts,Customers Priority,Honest Operation,and Considerate Service”,our business mainly focus on the distribution of electronic components. Line cards we deal with include Microchip,ALPS,ROHM,Xilinx,Pulse,ON,Everlight and Freescale. Main products comprise IC,Modules,Potentiometer,IC Socket,Relay,Connector.Our parts cover such applications as commercial,industrial, and automotives areas.

We are looking forward to setting up business relationship with you and hope to provide you with the best service and solution. Let us make a better world for our industry!



## Contact us

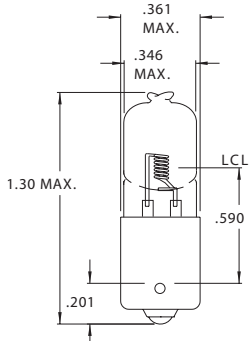
Tel: +86-755-8981 8866 Fax: +86-755-8427 6832

Email & Skype: info@chipsmall.com Web: www.chipsmall.com

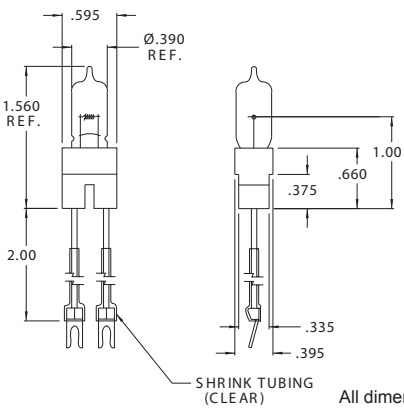
Address: A1208, Overseas Decoration Building, #122 Zhenhua RD., Futian, Shenzhen, China



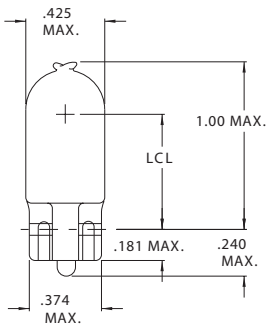
## T-2 3/4 Miniature Bayonet Base Halogen Lamp

Part Number:	CM2059	
Design Voltage:	12.0	
Design Wattage:	10.0	
Nominal MSCP:	10.0	
Filament Shape:	C-8I	
Laboratory Life:	1000 Hours	
Materials:	Globe: Glass Base: Nickel Plated Brass	

## T-3 Special Halogen Lamp

Part Number:	CM250021	
Design Voltage:	14.0	
Design Wattage:	50.0	
Nominal MSCP:	95.0	
Filament Shape:	CC-6	
Laboratory Life:	150 Hours	
Materials:	Globe: Quartz Glass Base: Ceramic Leads: 18 AWG High Temperature	

## T-3 1/4 Wedge Base Halogen Lamp

Part Number:	CM1999	
Design Voltage:	28.0	
Design Wattage:	25.0	
Nominal MSCP:	40.0	
Filament Shape:	CC-6	
Laboratory Life:	125 Hours	
Materials:	Globe: Glass	

### Caution:

These halogen cycle lamps may shatter if scratched or damaged. Use these lamps in fixtures designed for their high operating temperature. Always turn power off when changing these lamps. For satisfactory performance limit the seal and wire lead temperature to 350°C to avoid deterioration. Maintain a minimum lamp wall temperature of 250°C to assure the halogen cycle occurs. Remove all grease and fingerprints from these lamps before operation. Never exceed the design voltage of these lamps.