



Chipsmall Limited consists of a professional team with an average of over 10 year of expertise in the distribution of electronic components. Based in Hongkong, we have already established firm and mutual-benefit business relationships with customers from,Europe,America and south Asia,supplying obsolete and hard-to-find components to meet their specific needs.

With the principle of "Quality Parts,Customers Priority,Honest Operation,and Considerate Service",our business mainly focus on the distribution of electronic components. Line cards we deal with include Microchip,ALPS,ROHM,Xilinx,Pulse,ON,Everlight and Freescale. Main products comprise IC,Modules,Potentiometer,IC Socket,Relay,Connector.Our parts cover such applications as commercial,industrial, and automotives areas.

We are looking forward to setting up business relationship with you and hope to provide you with the best service and solution. Let us make a better world for our industry!



## Contact us

Tel: +86-755-8981 8866 Fax: +86-755-8427 6832

Email & Skype: info@chipsmall.com Web: www.chipsmall.com

Address: A1208, Overseas Decoration Building, #122 Zhenhua RD., Futian, Shenzhen, China



# 3M™ Textool™ Axial Lead ZIP Strip Sockets

.050" (1.27 mm) x .100" (2.54 mm)



- For devices with .050" (1.27 mm) lead centers unformed or extending axially from package
- Socket without top-plate cover enables horizontal insertion of leads
- Frequently used in pairs to handle any non-standard Flat Pack with leads on .050" (1.27 mm) centers
- Order left and right hand versions separately to obtain a complete pair
- Lever actuated zero insertion force mechanism
- Accepts pins up 0.14" (0.36 mm) to 0.25" (0.64 mm) square

Date Modified: September 17, 2012

TS-0364-B  
Sheet 1 of 2

---

## Physical

### Insulation

Material: Glass Filled Polysulfone

Flammability: UL 94V-0

Color: Green

**Marking:** 3M Logo & Part Number Identifier

### Contact:

Material: Beryllium Copper

Plating: 30 μ" (0.76 μm) Gold over 50 μ" (1.3 μm) Nickel

---

## Electrical

**Current Rating:** 1 Amp

**Insulation Resistance:** > 1 ¥ 109 W at 500 Vdc

**Withstanding Voltage:** 1000 Vrms at Sea Level

---

## Environmental

**Operating Temperature Rating:** - 55°C to +125°C



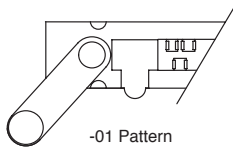
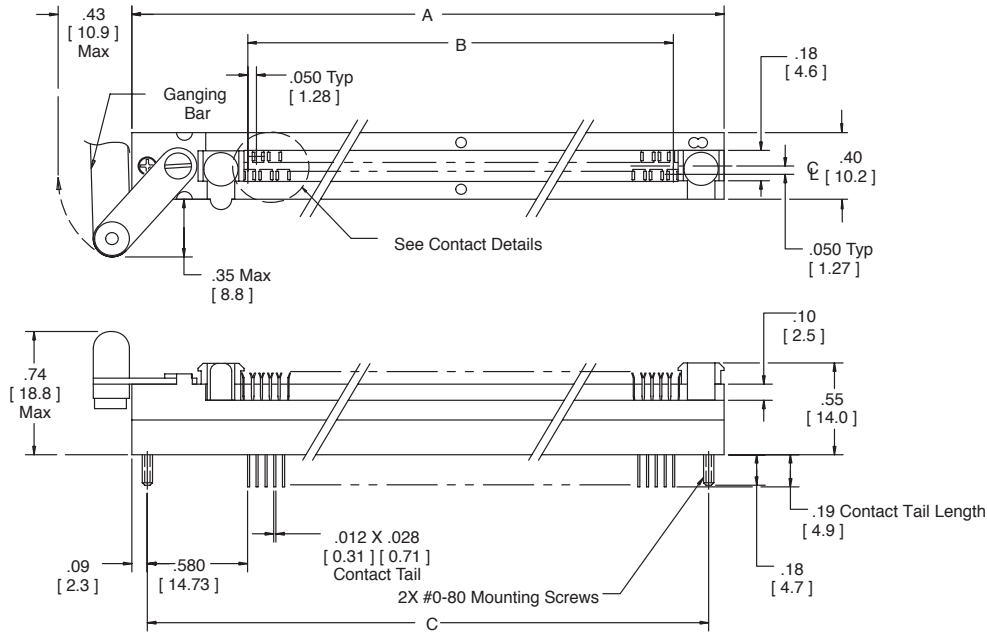
Electronic Solutions Division  
Interconnect Solutions  
<http://www.3Mconnectors.com>

3M is a trademark of 3M Company.  
For technical, sales or ordering information call  
**800-225-5373**

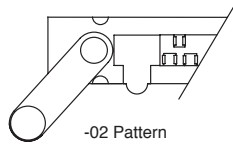
# 3M™ Textool™ Axial Lead ZIP Strip Sockets

.050" (1.27 mm) x .100" (2.54 mm)

Contact Quantity	Dimensions		
	A	B	C
34	2.65 [ 67.3 ]	1.650 [ 41.91 ]	2.46 [ 62.5 ]
35	2.65 [ 67.3 ]	1.700 [ 43.18 ]	2.46 [ 62.5 ]
36	3.45 [ 87.6 ]	2.500 [ 63.50 ]	3.27 [ 83.1 ]



-01 Pattern



-02 Pattern

Dimension	Tolerance	
	inch	mm
	.00 (.0)	.000 (.00)
Tolerance	± .010 (± .25)	± .005 (± .13)

## Ordering Information

Socket Part Number	Contact Quantity
234-3034-01-0602	34
234-3034-02-0602	
235-3019-01-0602	35
235-3019-02-0602	
251-5949-01-0602	51
251-5949-02-0602	

Contact Pattern

TS-0364-B  
Sheet 2 of 2



**Important Notice**

All statements, technical information, and recommendations related to 3M's products are based on information believed to be reliable, but the accuracy or completeness is not guaranteed. Before using this product, you must evaluate it and determine if it is suitable for your intended application. You assume all risks and liability associated with such use. Any statements related to the product which are not contained in 3M's current publications, or any contrary statements contained on your purchase order shall have no force or effect unless expressly agreed upon, in writing, by an authorized officer of 3M.

**Warranty; Limited Remedy; Limited Liability.**

This product will be free from defects in material and manufacture for a period of one (1) year from the time of purchase. **3M MAKES NO OTHER WARRANTIES INCLUDING, BUT NOT LIMITED TO, ANY IMPLIED WARRANTY OF MERCHANTABILITY OR FITNESS FOR A PARTICULAR PURPOSE.** If this product is defective within the warranty period stated above, your exclusive remedy shall be, at 3M's option, to replace or repair the 3M product or refund the purchase price of the 3M product. **Except where prohibited by law, 3M will not be liable for any indirect, special, incidental or consequential loss or damage arising from this 3M product, regardless of the legal theory asserted.**

**3M Electronics Solutions Division**

6801 River Place Blvd.  
Austin, TX 78726-9000  
U.S.A.  
1-800-225-5373  
[www.3Mconnectors.com](http://www.3Mconnectors.com)

Please recycle. Printed in USA.  
© 3M 2012. All rights reserved.  
RIA-2217B-E

3M and Textool are trademarks of 3M Company.