



Chipsmall Limited consists of a professional team with an average of over 10 year of expertise in the distribution of electronic components. Based in Hongkong, we have already established firm and mutual-benefit business relationships with customers from,Europe,America and south Asia,supplying obsolete and hard-to-find components to meet their specific needs.

With the principle of “Quality Parts,Customers Priority,Honest Operation,and Considerate Service”,our business mainly focus on the distribution of electronic components. Line cards we deal with include Microchip,ALPS,ROHM,Xilinx,Pulse,ON,Everlight and Freescale. Main products comprise IC,Modules,Potentiometer,IC Socket,Relay,Connector.Our parts cover such applications as commercial,industrial, and automotives areas.

We are looking forward to setting up business relationship with you and hope to provide you with the best service and solution. Let us make a better world for our industry!



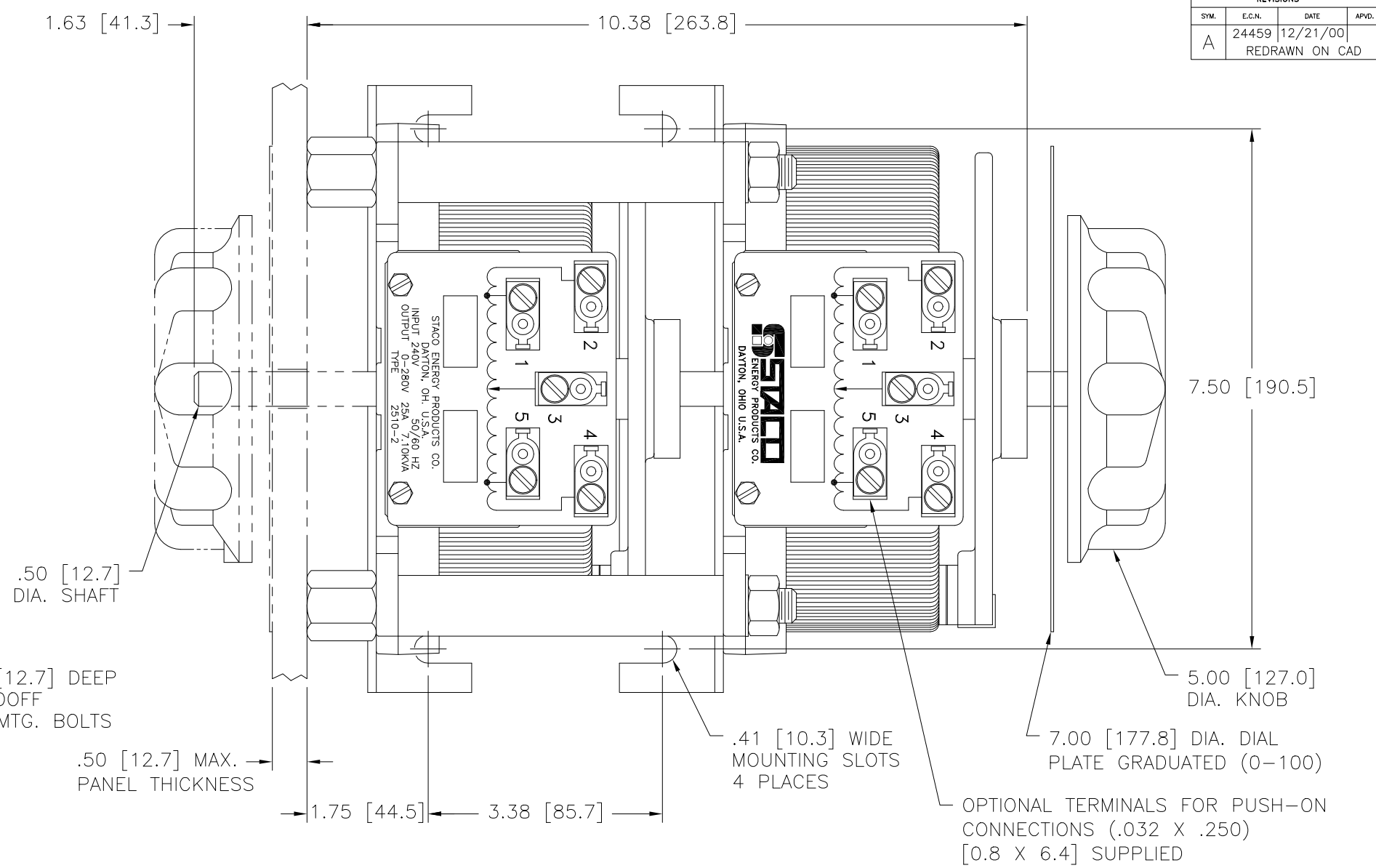
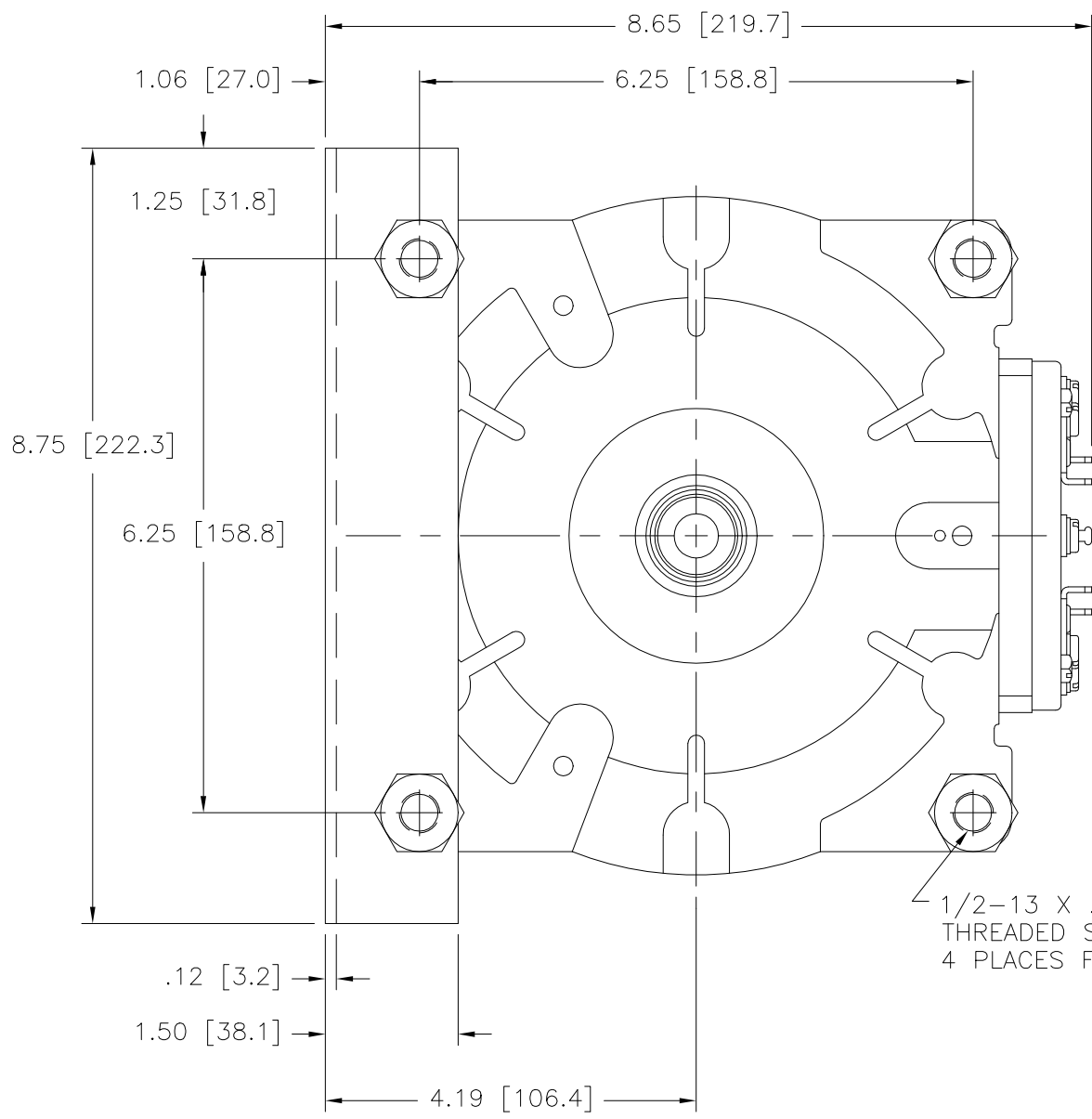
## Contact us

Tel: +86-755-8981 8866 Fax: +86-755-8427 6832

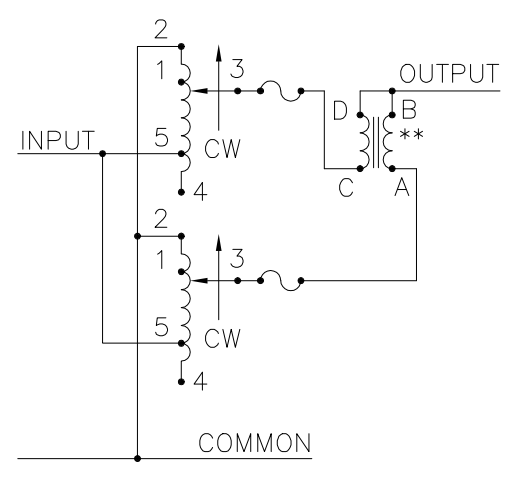
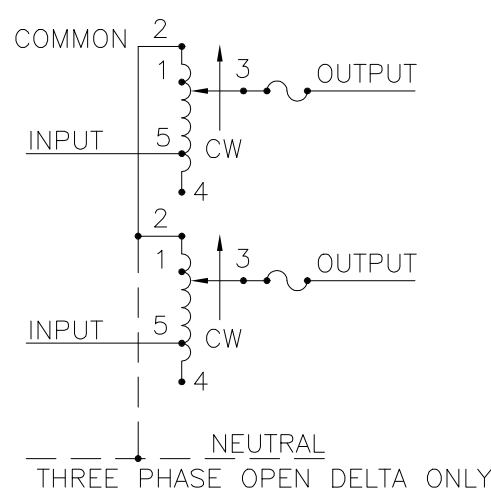
Email & Skype: info@chipsmall.com Web: www.chipsmall.com

Address: A1208, Overseas Decoration Building, #122 Zhenhua RD., Futian, Shenzhen, China





1/2-13 X .50 [12.7] DEEP THREADED STANDOFF 4 PLACES FOR MTG. BOLTS



SCHEMATIC THREE PHASE OPEN DELTA ONLY  
 THREE PHASE OPEN DELTA AND SINGLE PHASE SERIES. FUSE RECOMMENDED BUT NOT SUPPLIED.

SCHEMATIC SINGLE PHASE PARALLEL  
 FUSE RECOMMENDED BUT NOT SUPPLIED.

++ LINE TO LINE VOLTAGE.  
 \*\* REQUIRES ONE 51LAC PARALLELING CHOKE (NOT SUPPLIED).  
 π IF GANGED UNITS ARE USED IN A SYSTEM THAT ORDINARILY HAS A COMMON NEUTRAL OR GROUND BETWEEN SOURCE AND LOAD, THE NEUTRAL OR GROUND MUST BE CONNECTED TO THE COMMON TERMINALS OF THE VARIABLE TRANSFORMER ASSEMBLY. IF THE SYSTEM HAS NO NEUTRAL, THE LOAD MUST BE BALANCED OR THE TRANSFORMER WILL BE DAMAGED.  
 ■ JUMPER PROVIDED IN STANDARD COMMON POSITION AND SHOULD BE REMOVED OR REMOVED AS REQUIRED.

SPECIFICATIONS											
WIRING	INPUT		OUTPUT				SHAFT ROTATION TO INCREASE VOLTAGE	TERMINAL CONNECTIONS			
	VOLTS	HERTZ	VOLTS	CONSTANT CURRENT LOAD MAX. AMPS	CONSTANT IMPEDANCE LOAD MAX. KVA	MAX. AMPS		MAX. KVA	FOR INCREASING VOLTAGE AS VIEWED FROM BASE END ■		
SINGLE PHASE PARALLEL **	120	50/60	0-120	50	6.00	60	7.2	CW	2-2,4-4	—	4-B
			0-140	50	7.00	—	—	CCW	2-2,4-4	—	2-B
SINGLE PHASE SERIES	240	50/60	0-240	25	6.00	30	7.2	CW	1-1,4-4	—	4-B
			0-280	25	7.00	—	—	CCW	5-5,2-2	—	2-B
THREE PHASE OPEN DELTA π	120	50/60	0-120	25	5.20	30	6.20	CW	2-4-2	4-4	3-4-3
			0-140	25	6.06	—	—	CCW	4-2-4	2-2	3-2-3
								CW	1-4-1	4-4	3-4-3
CCW	5-2-5	2-2	3-2-3								