



Chipsmall Limited consists of a professional team with an average of over 10 year of expertise in the distribution of electronic components. Based in Hongkong, we have already established firm and mutual-benefit business relationships with customers from,Europe,America and south Asia,supplying obsolete and hard-to-find components to meet their specific needs.

With the principle of “Quality Parts,Customers Priority,Honest Operation,and Considerate Service”,our business mainly focus on the distribution of electronic components. Line cards we deal with include Microchip,ALPS,ROHM,Xilinx,Pulse,ON,Everlight and Freescale. Main products comprise IC,Modules,Potentiometer,IC Socket,Relay,Connector.Our parts cover such applications as commercial,industrial, and automotives areas.

We are looking forward to setting up business relationship with you and hope to provide you with the best service and solution. Let us make a better world for our industry!



## Contact us

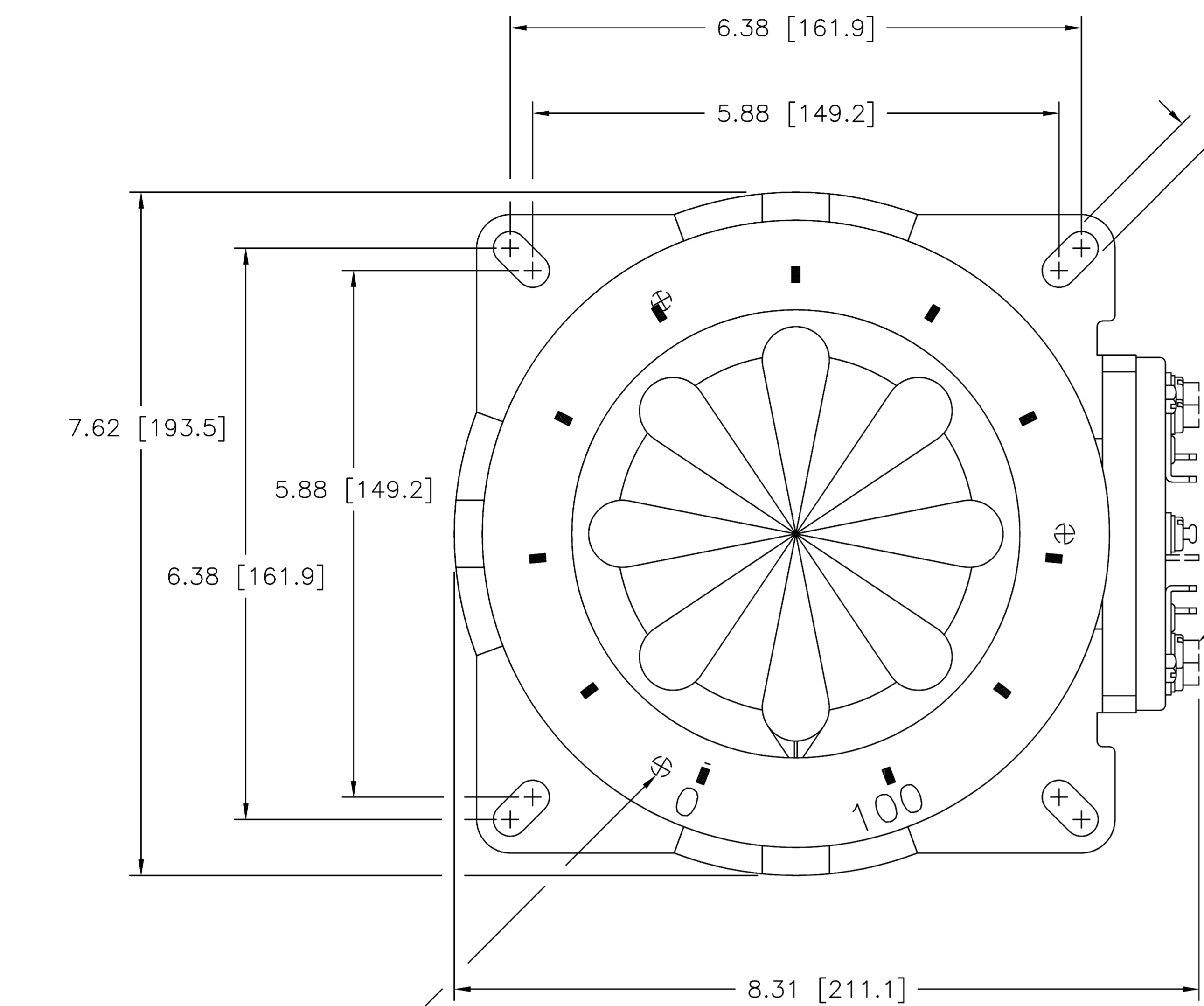
Tel: +86-755-8981 8866 Fax: +86-755-8427 6832

Email & Skype: info@chipsmall.com Web: www.chipsmall.com

Address: A1208, Overseas Decoration Building, #122 Zhenhua RD., Futian, Shenzhen, China



DWG. NO.	031-4301		
REVISIONS			
SYM.	E.C.N.	DATE	APVD.
G	21675	12/04/91	REVISED & REDRAWN
H	25591	10/25/05	TERM. #1 WAS 240V
J	28522	6/15/16	CORRECTED SCHEMATIC VIEW



1/4-28 X .38 [9.6] DEEP  
(3) HOLES 120° APART  
ON A 6.00 [152.4] DIA.  
BOLT CIRCLE

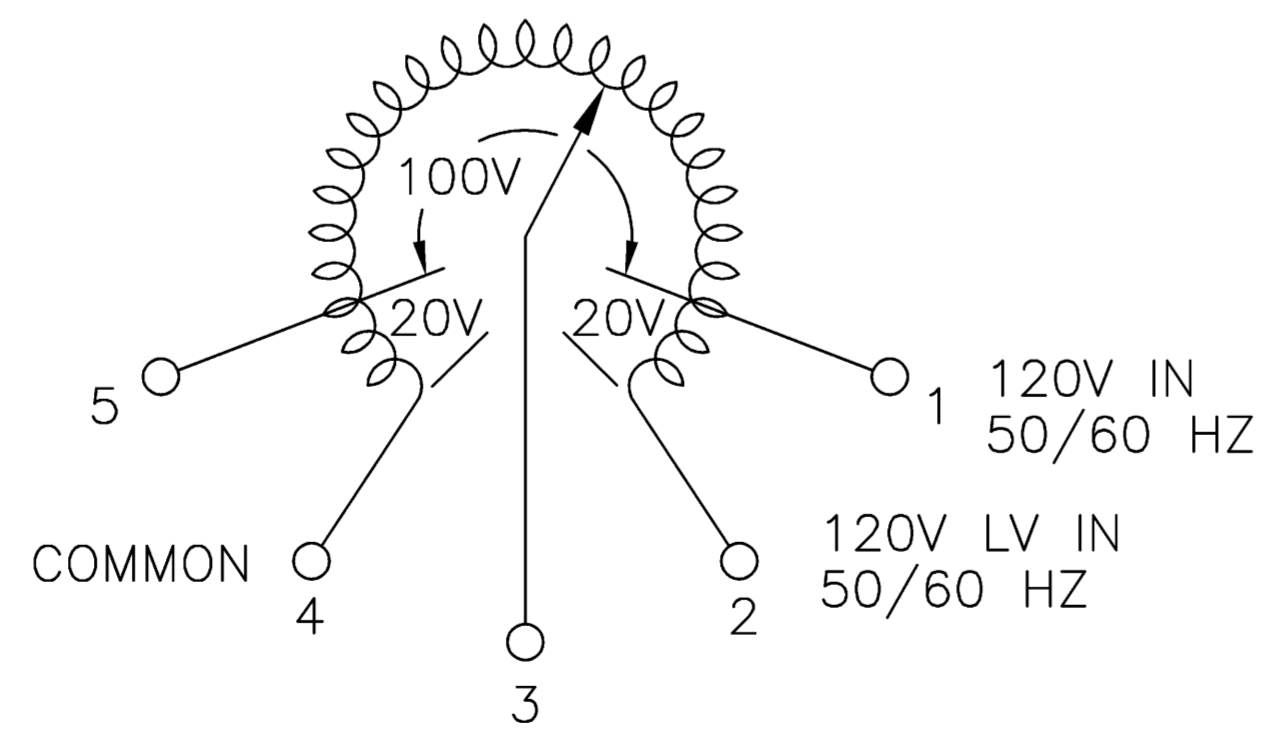
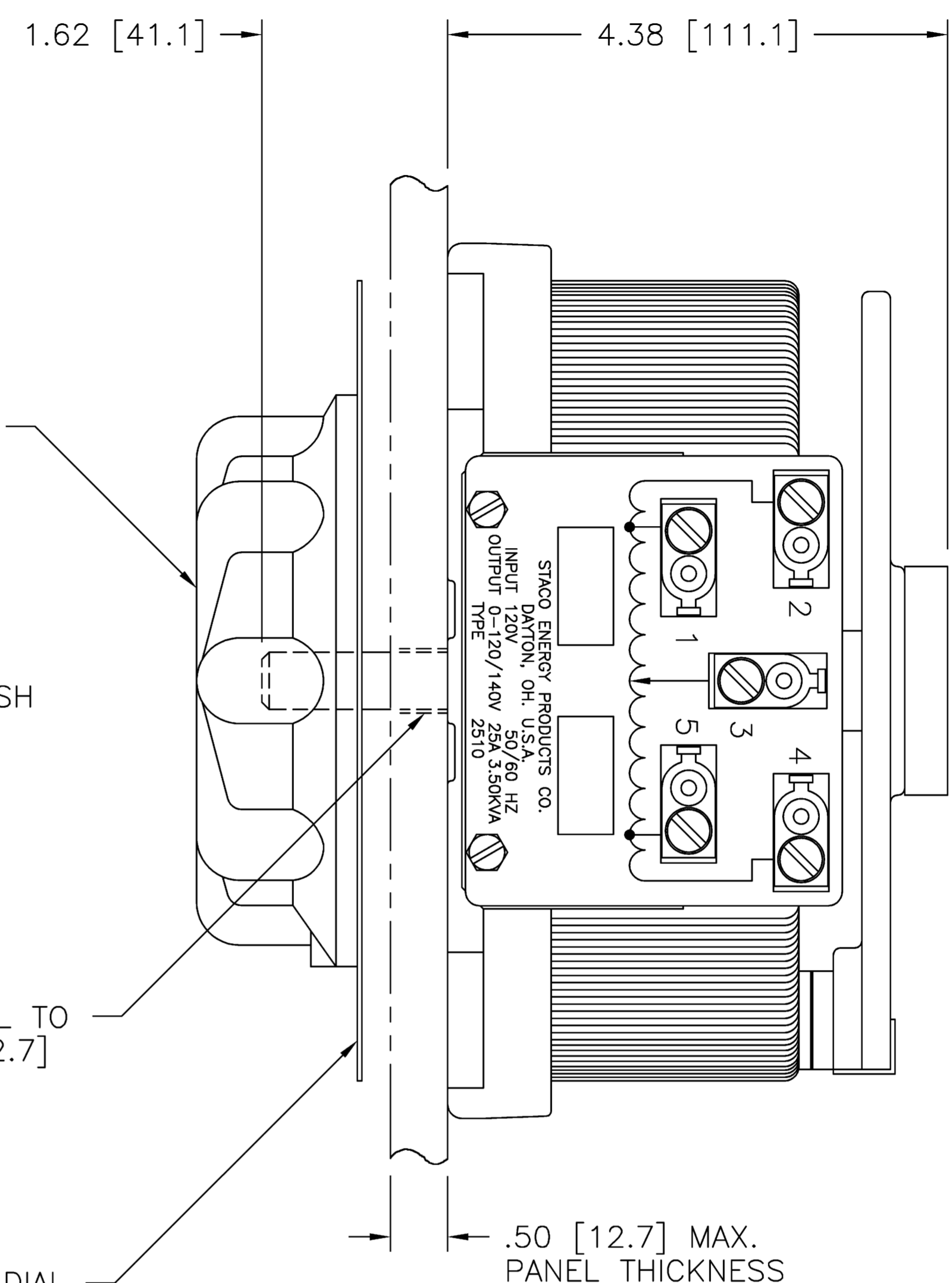
(4) SLOTS FOR .38 [9.6]  
DIA. MOUNTING HARDWARE

OPTIONAL TERMINALS FOR PUSH  
ON OR SOLDER CONNECTIONS  
(.032 X .250) [0.8 X 6.4]

5.00 [127.0]  
DIA. KNOB

HOLE IN PANEL TO  
CLEAR .50 [12.7]  
DIA. SHAFT

7.00 [177.8] DIA. DIAL  
PLATE GRADUATED (0-100)



SCHEMATIC  
AS VIEWED FROM BASE END

SPECIFICATIONS											
WIRING	INPUT		OUTPUT				SHAFT ROTATION TO INCREASE VOLTAGE	TERMINAL CONNECTIONS			
	VOLTS	HERTZ	VOLTS	CONSTANT CURRENT LOAD		CONSTANT IMPEDANCE LOAD		FOR INCREASING VOLTAGE AS VIEWED FROM BASE END			
				MAX. AMPS	MAX. KVA	MAX. AMPS		MAX. KVA	INPUT	JUMPER	OUTPUT
SINGLE PHASE	120	50/60	0-120	25	3.00	30	3.6	CW	2-4	---	4-3
			0-140	25	3.50	---	---	CCW	2-4	---	2-3
								CW	1-4	---	4-3
								CCW	2-5	---	2-3

UNLESS OTHERWISE SPECIFIED, TOLERANCE IS ±  
DECIMALS: HOLES .010 ANGLES 1° DRAFT 1-1/2°  
.XXX .005

MATERIAL: ALL DIMENSIONS APPLY AFTER PLATING.

TITLE: SPEC. CONTROL DRAWING  
VARIABLE TRANSFORMER  
TYPE: 2510

DRIVEN BY: K. TOLLIVER DATE: 11/27/91 FIRST USED ON: 2510 DO NOT SCALE DWG.  
CHECKER: DATE: WEIGHT APPROX. 21 LBS. CASE CODE 83008  
ENGINEER: DATE: SCALE 1=1 SHEET 1 OF 1

The information and design disclosed herein was originated by and is the property of STACO ENERGY PRODUCTS CO., which reserves all patent, proprietary, design, manufacturing, reproduction, use and sole rights thereto, and to any article disclosed therein except to the extent rights are expressly granted to others. The foregoing does not apply to vendor proprietary parts.

**STACO ENERGY PRODUCTS CO.**  
A Components Corporation of America Company  
301 Gaddis Boulevard Dayton, Ohio 45403 USA

DWG. NO. 031-4301