



Chipsmall Limited consists of a professional team with an average of over 10 year of expertise in the distribution of electronic components. Based in Hongkong, we have already established firm and mutual-benefit business relationships with customers from,Europe,America and south Asia,supplying obsolete and hard-to-find components to meet their specific needs.

With the principle of “Quality Parts,Customers Priority,Honest Operation,and Considerate Service”,our business mainly focus on the distribution of electronic components. Line cards we deal with include Microchip,ALPS,ROHM,Xilinx,Pulse,ON,Everlight and Freescale. Main products comprise IC,Modules,Potentiometer,IC Socket,Relay,Connector.Our parts cover such applications as commercial,industrial, and automotives areas.

We are looking forward to setting up business relationship with you and hope to provide you with the best service and solution. Let us make a better world for our industry!



## Contact us

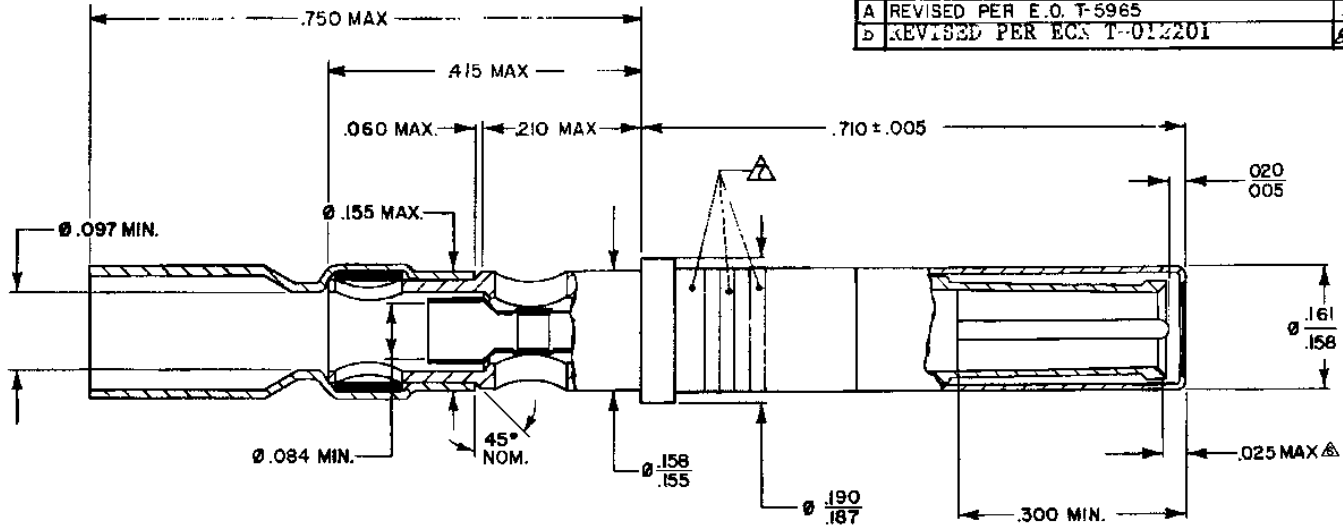
Tel: +86-755-8981 8866 Fax: +86-755-8427 6832

Email & Skype: info@chipsmall.com Web: www.chipsmall.com

Address: A1208, Overseas Decoration Building, #122 Zhenhua RD., Futian, Shenzhen, China



REVISIONS		DATE	APPROVED
—	RELEASED PER E.O. D-3036	2/28/85	3.5
A	REVISED PER E.O. T-5985	1/22/86	
D	REVISED PER E.O. T-012201	8/7/91	H. B. H. H.



**NOTES:**

1. THIS CONTACT IS DESIGNED FOR USE IN DOD-C-83527 RACK AND PANEL CONNECTORS.
  2. THIS CONTACT IS DESIGNED TO TERMINATE THE CABLES IN THE TABLE
  3. INSERTION-EXTRACTION TOOL : MIL-I-81969/14-04.
  4. FOR TERMINATION PROCEDURES SEE RAYCHEM SPECIFICATION ES 61236
  5. MATING CONTACT (FOR SIMILAR CABLES): D-602-0094
- △ POINT AT WHICH A SQUARE ENDED  $\varnothing.0930_{-0.002}^{+0.000}$  PIN FIRST ENGAGES THE OUTER SPRING CONTACT.

CABLES ACCOMMODATED	
RG CABLE	RAYCHEM CABLE
RG 174 U	5024 AIXIX
RG 178 B/U	7528 AIXIX
RG 179 B/U	9530 AIXIX
RG 316 U	9532 AIXIX

**REQUIREMENTS:**

- a. CONTACT MATERIAL: COPPER ALLOY, PER QQ-B-626 & QQ-C-530.
- b. INSULATOR MATERIAL: FLUOROPOLYMER.
- c. PLATING: GOLD PER MIL-G-45204, NICKEL, PER QQ-N-290, OVER COPPER.
3. MAXIMUM OPERATING TEMPERATURE 125°C.
4. PERFORMANCE REQUIREMENTS PER MIL-C-39029 EXCEPT AS FOLLOWS:
  - a. DIELECTRIC WITHSTANDING VOLTAGE: 900 VOLTS RMS MINIMUM.
  - b. INSULATION RESISTANCE: 5000 MEGOHMS MINIMUM.
  - c. ENGAGEMENT FORCE, OUTER SOCKET: 30 oz. MAXIMUM.
  - d. SEPARATION FORCE, OUTER SOCKET: 3.0 oz. MINIMUM.

△ BIN CODE GREEN GREEN GREEN

If this document is printed it becomes uncontrolled.  
Check for the latest revision.

**SPECIFICATION CONTROL DRAWING**

DRAWN	CERDAN	05 FEB. 85	 <small>TYCO Electronics Corporation 2500 Commonwealth Drive Melb Park, CA 94025 USA</small>	Raychem	
CHECKED				TITLE	
APPROVED	3.5	1.15.85	<b>CONTACT, COAXIAL SOCKET</b>		
APPROVED					
<small>UNLESS OTHERWISE SPECIFIED DIMENSIONS ARE IN INCHES METRIC DIMENSIONS ARE IN PARENTHESES</small>			SIZE	CODE IDENT NO	DWG NO
<small>DO NOT SCALE THIS DRAWING</small>			C	06090	D-602-0093
			WEIGHT		SHEET
					OF