



Chipsmall Limited consists of a professional team with an average of over 10 year of expertise in the distribution of electronic components. Based in Hongkong, we have already established firm and mutual-benefit business relationships with customers from,Europe,America and south Asia,supplying obsolete and hard-to-find components to meet their specific needs.

With the principle of “Quality Parts,Customers Priority,Honest Operation,and Considerate Service”,our business mainly focus on the distribution of electronic components. Line cards we deal with include Microchip,ALPS,ROHM,Xilinx,Pulse,ON,Everlight and Freescale. Main products comprise IC,Modules,Potentiometer,IC Socket,Relay,Connector.Our parts cover such applications as commercial,industrial, and automotives areas.

We are looking forward to setting up business relationship with you and hope to provide you with the best service and solution. Let us make a better world for our industry!



Contact us

Tel: +86-755-8981 8866 Fax: +86-755-8427 6832

Email & Skype: info@chipsmall.com Web: www.chipsmall.com

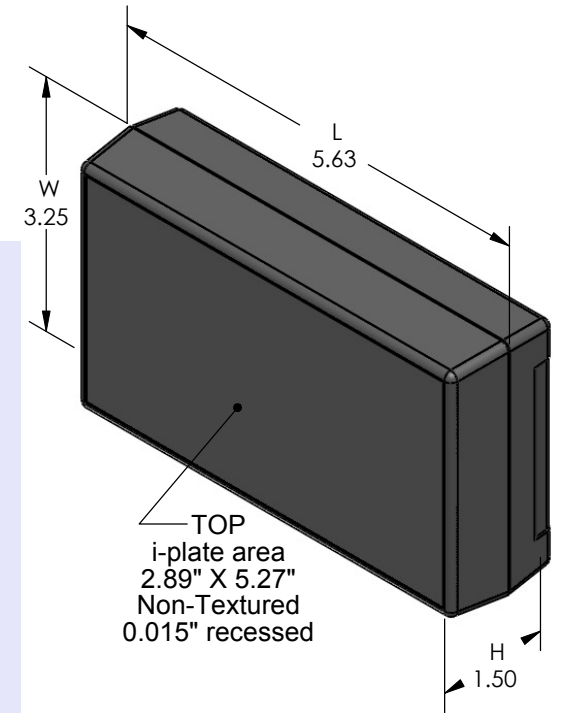
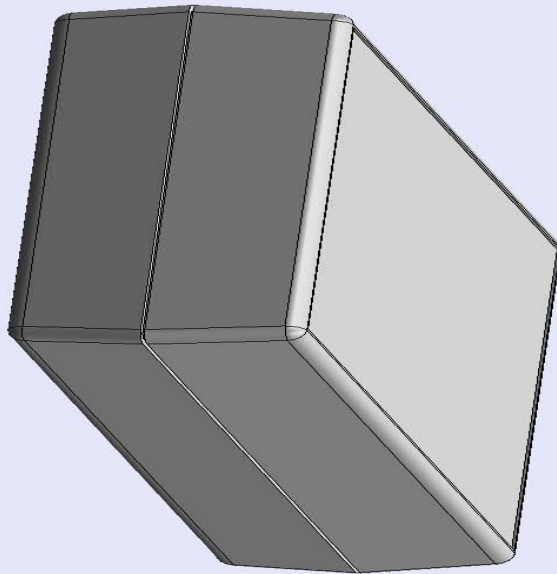
Address: A1208, Overseas Decoration Building, #122 Zhenhua RD., Futian, Shenzhen, China



SERPAC 251i (3D exploded)

Electronic Enclosures

-Click on image to show toolbar. Use  to Play/Pause Animation.
 -Left click and drag on image to move 3D model.



PART NO.	DESCRIPTION (Included)	ACCESSORIES (Optional)	
5-1i	TOP	PART NO.	DESCRIPTION
25	BOTTOM	359	Prototype grid board
1025	Battery Cover	459	Prototype clad board
6005	#4X3/8" Self tapping (4)	50	Non-skid feet

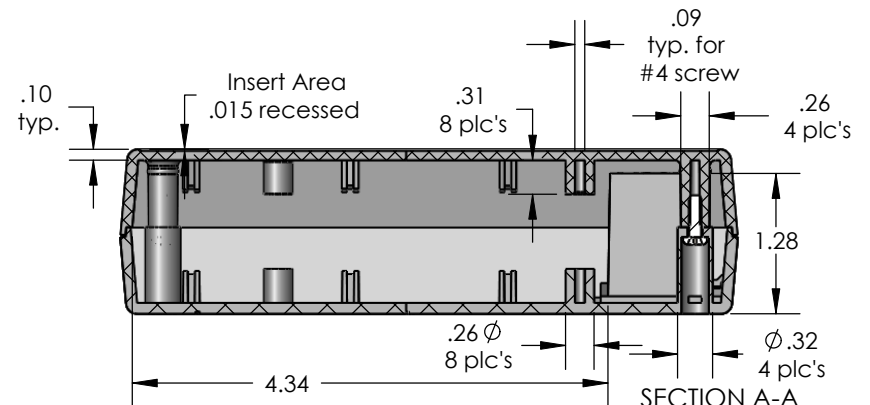
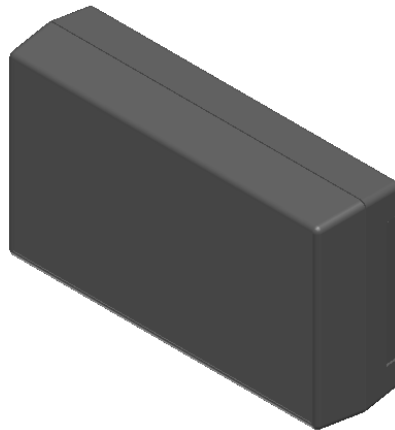
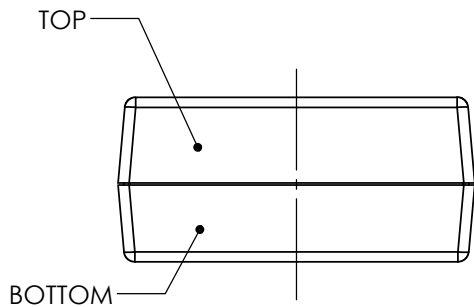
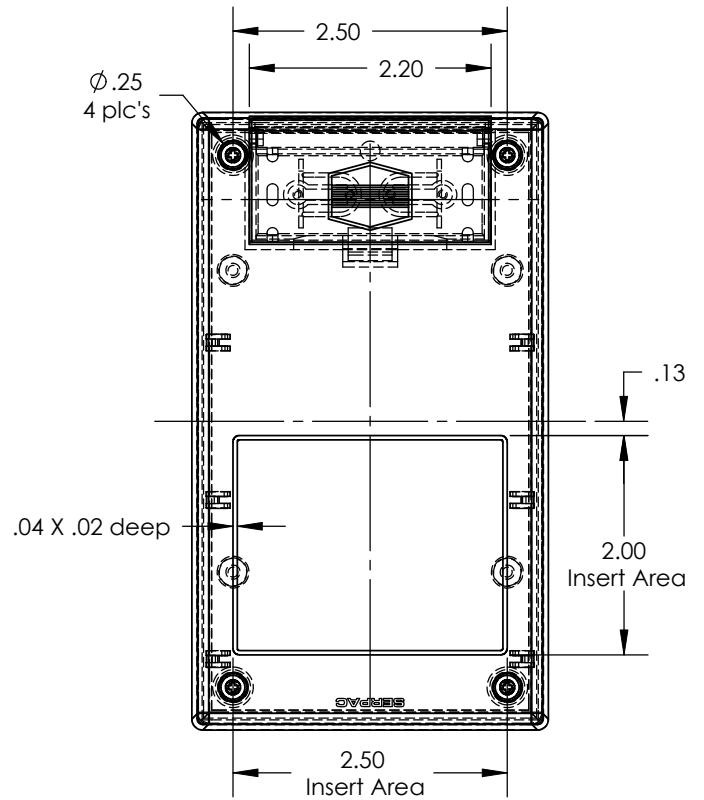
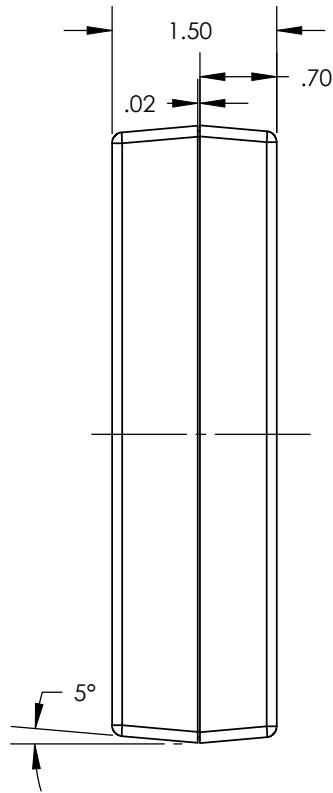
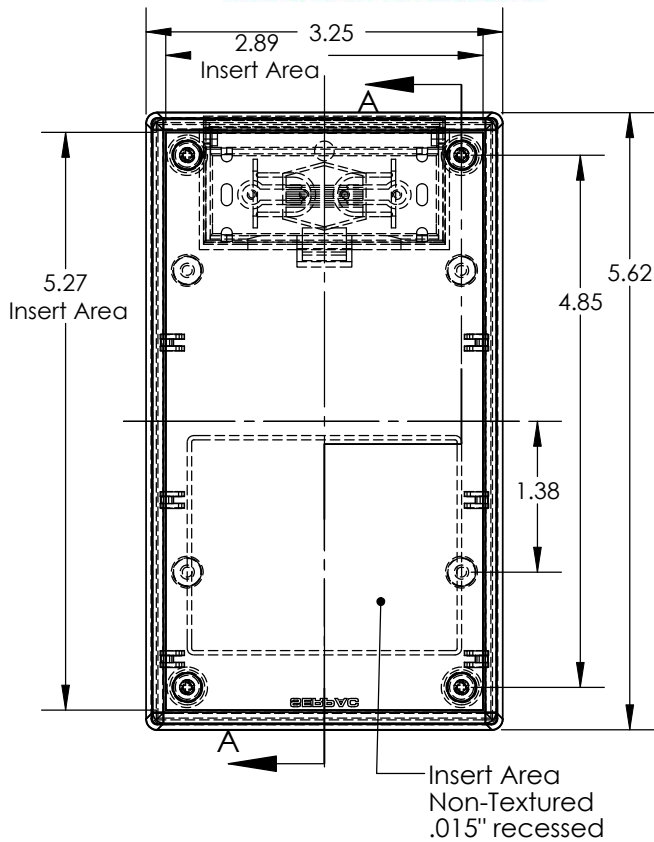
- a) Zoom in & out with center wheel.
- b) Pause at any moment to view and or print views.
- c) Change the views to ortho and section views if needed from the Views pull down menu.
- d) Explore options included in the tool bar like: Views, Transparency of model, Lighting type, etc.

Notes: (Enclosure weight 0.26 lb / 118 gm)
 1) Enclosure meets or exceeds IP40 and NEMA 1
 2) Circuit Board drawings can be download at:
<http://www.serpac.com/Products/CircuitBoard/drawings/359-459-cbg.pdf>
 3) All components are RoHS Compliant.

ALL DIMENSIONS ARE ±.010" 4/12/10 (1 of 2)
 619 Commercial Ave. Covina, CA 91723
 Ph. (626) 331-0517 Fx. (626) 331-8584 serpac.com

SERPAC 251i (user print)

Electronic Enclosures



SECTION A-A
SCALE 1 : 1.75

PART NO.	DESCRIPTION (Included)	ACCESSORIES (Optional)	
5-1i	TOP	PART NO.	DESCRIPTION
25	BOTTOM	359	Prototype grid board
1025	Battery Cover	459	Prototype clad board
6005	#4X3/8" self tapping (4)	50	Non-skid feet

- Notes:
- (Enclosure weight 0.26 lb / 118 gm)
 - Enclosure meets or exceeds IP40 and NEMA 1
 - Circuit Board drawings can be download at: <http://www.serpac.com/Accessories/CircuitBoard/drawings/359-459-cbg.pdf>
 - All components are RoHS Compliant.