



Chipsmall Limited consists of a professional team with an average of over 10 year of expertise in the distribution of electronic components. Based in Hongkong, we have already established firm and mutual-benefit business relationships with customers from,Europe,America and south Asia,supplying obsolete and hard-to-find components to meet their specific needs.

With the principle of “Quality Parts,Customers Priority,Honest Operation,and Considerate Service”,our business mainly focus on the distribution of electronic components. Line cards we deal with include Microchip,ALPS,ROHM,Xilinx,Pulse,ON,Everlight and Freescale. Main products comprise IC,Modules,Potentiometer,IC Socket,Relay,Connector.Our parts cover such applications as commercial,industrial, and automotives areas.

We are looking forward to setting up business relationship with you and hope to provide you with the best service and solution. Let us make a better world for our industry!



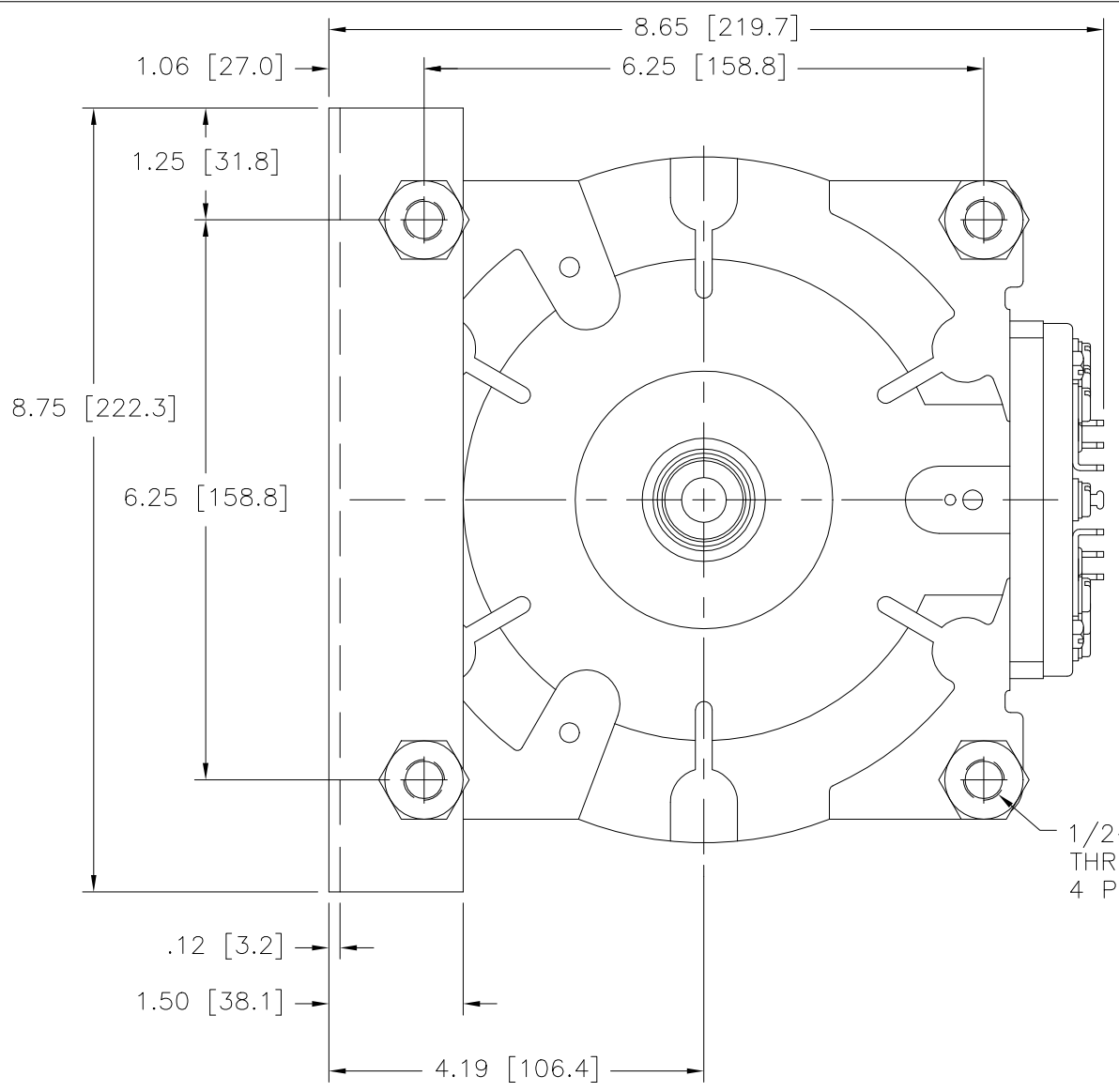
## Contact us

Tel: +86-755-8981 8866 Fax: +86-755-8427 6832

Email & Skype: info@chipsmall.com Web: www.chipsmall.com

Address: A1208, Overseas Decoration Building, #122 Zhenhua RD., Futian, Shenzhen, China



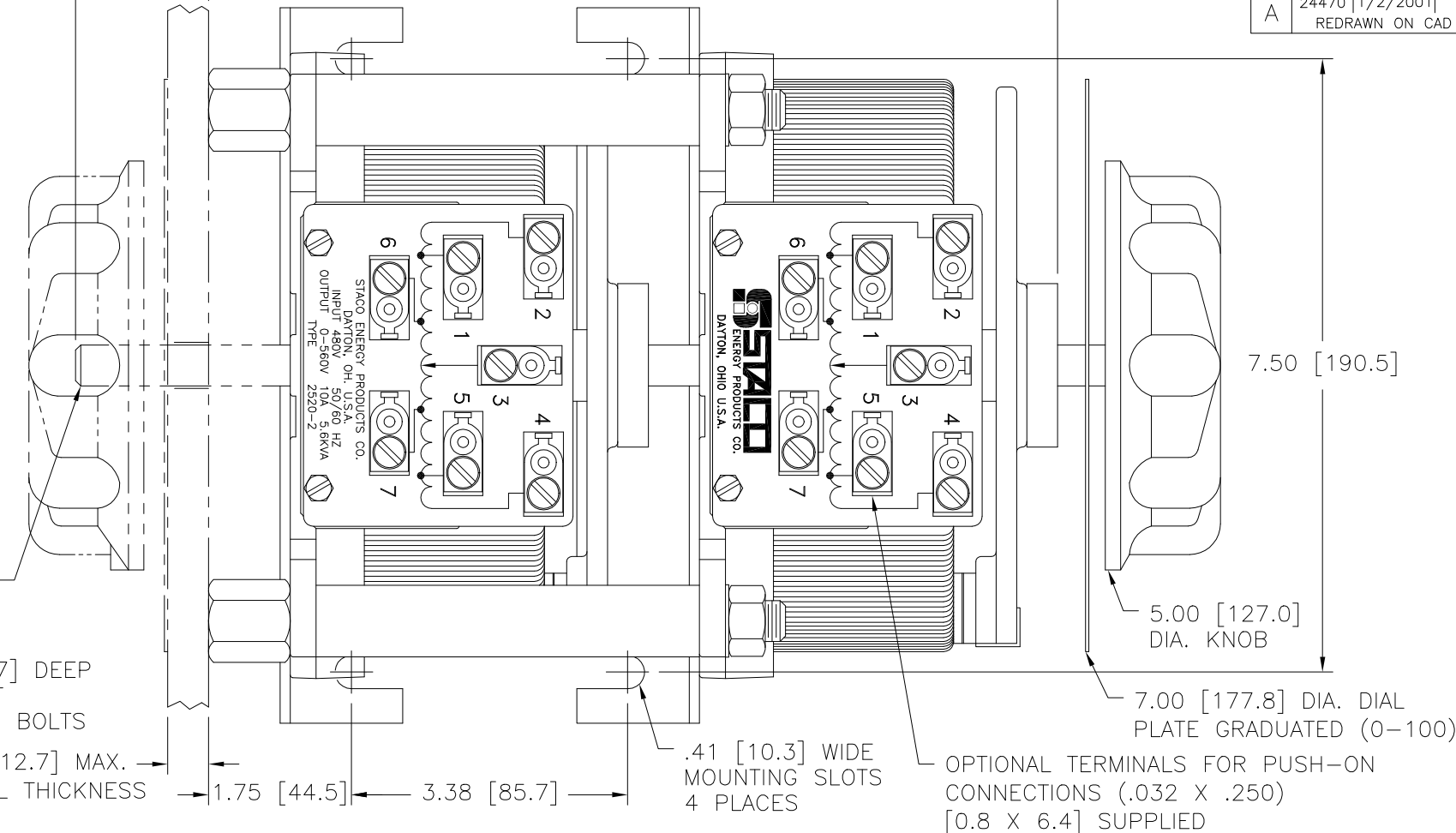


1/2-13 X .50 [12.7] DEEP THREADED STANDOFF 4 PLACES FOR MTG. BOLTS

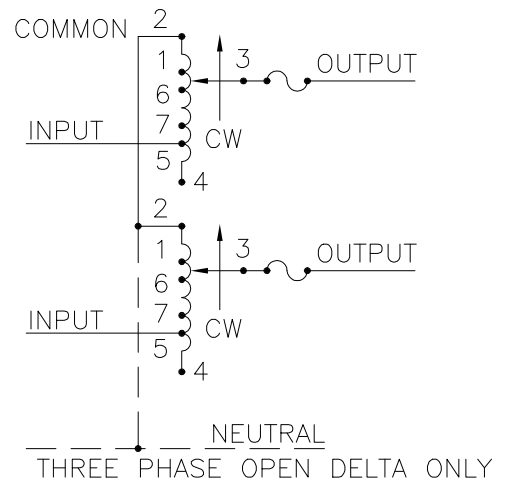
.50 [12.7] DIA. SHAFT

.50 [12.7] MAX. PANEL THICKNESS

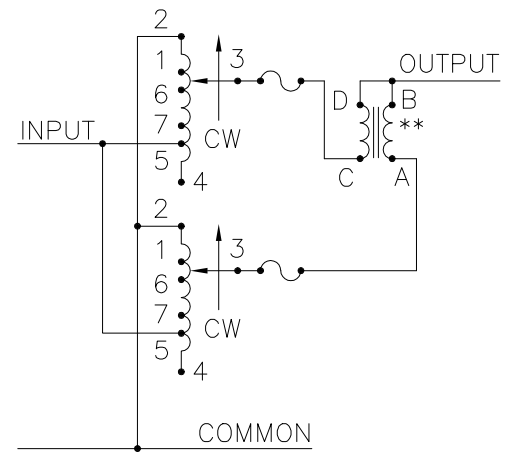
1.63 [41.3] 10.38 [263.8]



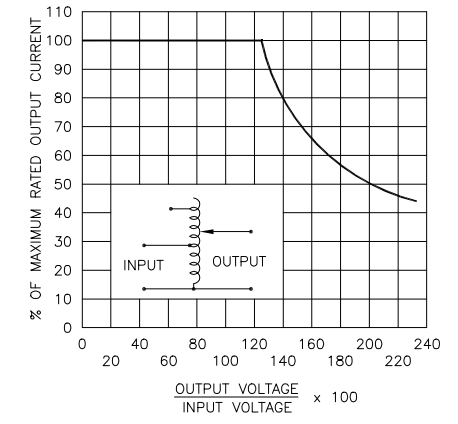
OPTIONAL TERMINALS FOR PUSH-ON CONNECTIONS (.032 X .250) [0.8 X 6.4] SUPPLIED



SCHEMATIC  
THREE PHASE OPEN DELTA AND SINGLE PHASE SERIES. FUSE RECOMMENDED BUT NOT SUPPLIED.



SCHEMATIC  
SINGLE PHASE PARALLEL FUSE RECOMMENDED BUT NOT SUPPLIED.



# MAXIMUM OUTPUT CURRENT IN OUTPUT VOLTAGE RANGE FROM 0 TO 25% ABOVE LINE VOLTAGE. AT HIGHER OUTPUT VOLTAGES, THE OUTPUT CURRENT MUST BE REDUCED ACCORDING TO THE DERATING CURVE FIGURE A.

§ MAXIMUM KVA AT MAXIMUM OUTPUT VOLTAGE AND CORRESPONDING DERATED OUTPUT CURRENT. MAXIMUM KVA FOR LOWER VOLTAGES MAY BE CALCULATED FROM DERATING CURVE FIGURE A.

++ LINE TO LINE VOLTAGE.

\*\* REQUIRES ONE 52LAC PARALLELING CHOKE (NOT SUPPLIED).

∇ IF GANGED UNITS ARE USED IN A SYSTEM THAT ORDINARILY HAS A COMMON NEUTRAL OR GROUND BETWEEN SOURCE AND LOAD, THE NEUTRAL OR GROUND MUST BE CONNECTED TO THE COMMON TERMINALS OF THE VARIABLE TRANSFORMER ASSEMBLY. IF THE SYSTEM HAS NO NEUTRAL, THE LOAD MUST BE BALANCED OR THE TRANSFORMER WILL BE DAMAGED.

■ JUMPER PROVIDED IN STANDARD COMMON POSITION AND SHOULD BE MOVED OR REMOVED AS REQUIRED.

SPECIFICATIONS											
WIRING	INPUT		OUTPUT				SHAFT ROTATION TO INCREASE VOLTAGE	TERMINAL CONNECTIONS			
	VOLTS	HERTZ	VOLTS	CONSTANT CURRENT LOAD		CONSTANT IMPEDANCE LOAD		FOR INCREASING VOLTAGE AS VIEWED FROM BASE END ■			
				MAX. AMPS	MAX. KVA	MAX. AMPS		MAX. KVA	INPUT	JUMPER	OUTPUT
SINGLE PHASE PARALLEL **	240	50/60	0-240	20	4.80	26	6.20	CW	2-2,4-4	—	4-B
			0-280	20	5.60	—	—	CCW	2-2,4-4	—	2-B
	120	50/60	0-280	20#	2.40 §	—	—	CW	1-1,4-4	—	4-B
			0-280	20#	2.40 §	—	—	CCW	5-5,2-2	—	2-B
SINGLE PHASE SERIES	480	50/60	0-480	10	4.80	13	6.24	CW	2-2	4-4	3-3
			0-560	10	5.60	—	—	CCW	4-4	2-2	3-3
	240	50/60	0-560	10#	2.40 §	—	—	CW	1-1	4-4	3-3
			0-560	10#	2.40 §	—	—	CCW	7-7	4-4	3-3
THREE PHASE OPEN DELTA ∇	240	50/60	0-240	10	4.20	13	5.40	CW	2-4-2	4-4	3-4-3
			0-280	10	4.85	—	—	CCW	4-2-4	2-2	3-2-3
	120	50/60	0-280	10#	2.10 §	—	—	CW	1-4-1	4-4	3-4-3
			0-280	10#	2.10 §	—	—	CCW	5-2-5	2-2	3-2-3
							CCW	7-4-7	4-4	3-4-3	
								CCW	6-2-6	2-2	3-2-3

UNLESS OTHERWISE SPECIFIED, TOLERANCE IS ± DECIMALS HOLES .06 ANGLES DRAFT 1-1/2° .XX .0005 .01 1°

MATERIAL: ALL DIMENSIONS APPLY AFTER PLATING

UNITS IN [mm]

TITLE: SPEC. CONTROL DRAWING VARIABLE TRANSFORMER MODEL: 2520-2

DRAWN BY: S.A. SMITH DATE: 1/2/2001 FIRST USED ON: DO NOT SCALE DWG. CUSTOMER APPROVAL: DATE:

CHECKER: DATE: WEIGHT APPROX. 50 LBS CODE IDENT. NO. 83008 DWG. NO. 031-5413

ENGINEER: DATE: SCALE 1/1 SHEET 1 OF 1