



Chipsmall Limited consists of a professional team with an average of over 10 year of expertise in the distribution of electronic components. Based in Hongkong, we have already established firm and mutual-benefit business relationships with customers from,Europe,America and south Asia,supplying obsolete and hard-to-find components to meet their specific needs.

With the principle of "Quality Parts,Customers Priority,Honest Operation,and Considerate Service",our business mainly focus on the distribution of electronic components. Line cards we deal with include Microchip,ALPS,ROHM,Xilinx,Pulse,ON,Everlight and Freescale. Main products comprise IC,Modules,Potentiometer,IC Socket,Relay,Connector.Our parts cover such applications as commercial,industrial, and automotives areas.

We are looking forward to setting up business relationship with you and hope to provide you with the best service and solution. Let us make a better world for our industry!



Contact us

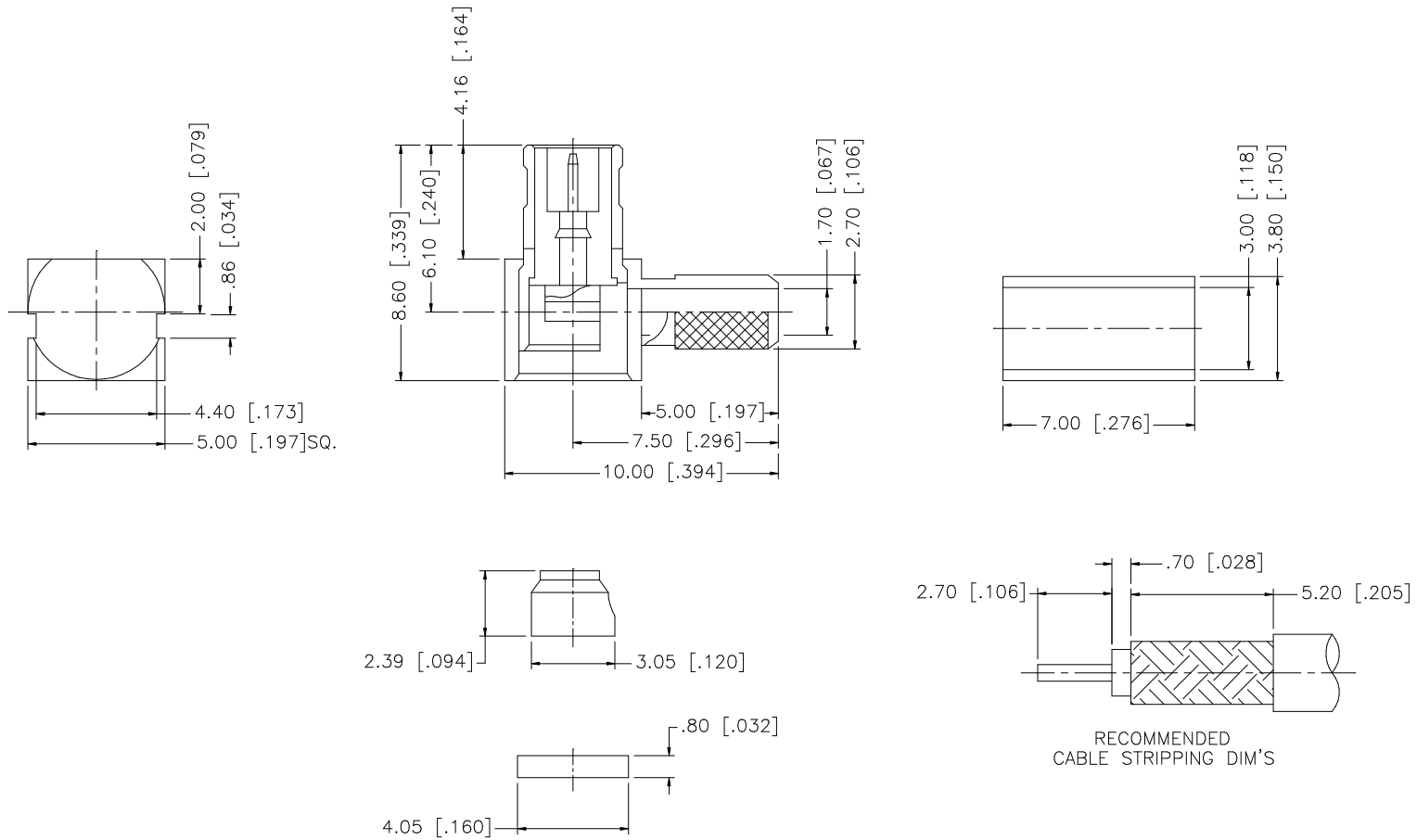
Tel: +86-755-8981 8866 Fax: +86-755-8427 6832

Email & Skype: info@chipsmall.com Web: www.chipsmall.com

Address: A1208, Overseas Decoration Building, #122 Zhenhua RD., Futian, Shenzhen, China



REV.	DATE	DESCRIPTION
A	06/05/03	UPDATE DRAWING FORMAT
B	11/13/06	MODIFY BARREL O.D. TO 2.7mm



NOTE:

1. CRIMPED FERRULE HEX CRIMP SIZE .128"
2. CONTACT PIN TO SOLDER

REV.	DATE	DESCRIPTION
8		
7		
6	FERRULE	COPPER
5	COVER	BRASS
4	INSULATOR	DELTRIN
3	CONTACT PIN	BRASS
2	INSULATOR	TEFLON
1	BODY	BER. COPPER
DESCRIPTION	MATERIAL	FINISH

QTY	FINISH	MATERIAL	DESCRIPTION
1	GOLD	BER. COPPER	BODY
1	NATURAL	TEFLON	INSULATOR
1	GOLD	BRASS	CONTACT PIN
1	NATURAL	DELTRIN	INSULATOR
1	GOLD	BRASS	COVER
1	GOLD	COPPER	FERRULE

UNLESS OTHERWISE SPECIFIED DIMENSIONS ARE IN MILLIMETERS. DIMENSIONS IN [] ARE IN INCHES AND FOR CUSTOMER REFERENCE ONLY.	APPROVALS	DATE
UNLESS OTHERWISE SPECIFIED TOLERANCES FOR MILLIMETERS ARE: 0.5 - 8mm ± 0.20mm 8 - 30mm ± 0.40mm 30 - 120mm ± 0.50mm	DRAWN	11/13/06
	CHECKED	
UNLESS OTHERWISE SPECIFIED TOLERANCES FOR INCHES ARE: .020 - .315 = ± 0.007" .315 - 1.180 = ± 0.015" 1.180 - 4.724 = ± 0.020"	ISSUED	
	SHEET	1 OF 1
DO NOT SCALE DRAWING	CAD FILE	C:/252/252102.DWG

PART DESCRIPTION		PART NO.	
MCX R/A CRIMP PLUG RG 174/u, 188/u, 316/u CABLE		252102	
DWG. NO.	252102.DWG	REV.	B
SIZE	A	SCALE	NA

Amphenol Connex