



Chipsmall Limited consists of a professional team with an average of over 10 year of expertise in the distribution of electronic components. Based in Hongkong, we have already established firm and mutual-benefit business relationships with customers from,Europe,America and south Asia,supplying obsolete and hard-to-find components to meet their specific needs.

With the principle of "Quality Parts,Customers Priority,Honest Operation,and Considerate Service",our business mainly focus on the distribution of electronic components. Line cards we deal with include Microchip,ALPS,ROHM,Xilinx,Pulse,ON,Everlight and Freescale. Main products comprise IC,Modules,Potentiometer,IC Socket,Relay,Connector.Our parts cover such applications as commercial,industrial, and automotives areas.

We are looking forward to setting up business relationship with you and hope to provide you with the best service and solution. Let us make a better world for our industry!



## Contact us

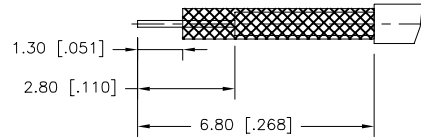
Tel: +86-755-8981 8866 Fax: +86-755-8427 6832

Email & Skype: info@chipsmall.com Web: www.chipsmall.com

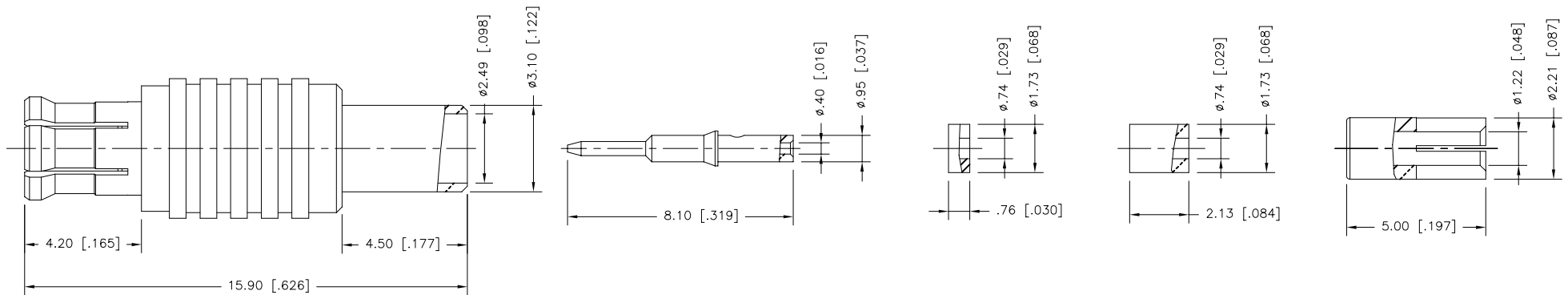
Address: A1208, Overseas Decoration Building, #122 Zhenhua RD., Futian, Shenzhen, China



REV.	DATE	ECR NO.	DESCRIPTION
NC	06/01/09	XXXXXX	INITIAL RELEASE



RECOMMENDED  
CABLE STRIPPING DIM'S



NOTES:

1. CRIMPED FERRULE  
HEX CRIMP SIZE .105"
2. CRIMPED CONTACT PIN  
SQ. CRIMP SIZE 0.7 mm

DESCRIPTION	MATERIAL	FINISH	QTY	DO NOT SCALE DRAWING	APPROVALS	DATE	<h1 style="text-align: center;">Amphenol Connex</h1>					
8	INNER FERRULE	BRASS	GOLD	1	<small>UNLESS OTHERWISE SPECIFIED DIMENSIONS ARE IN MILLIMETERS. DIMENSIONS IN [ ] ARE IN INCHES AND FOR CUSTOMER REFERENCE ONLY.</small>  <small>UNLESS OTHERWISE SPECIFIED TOLERANCES FOR MILLIMETERS ARE:</small> 0.5 - 8mm ± 0.20mm 8 - 30mm ± 0.40mm 30 - 120mm ± 0.50mm  <small>UNLESS OTHERWISE SPECIFIED TOLERANCES FOR INCHES ARE:</small> .020 - .315 = ± 0.007" .315 - 1.180 = ± 0.015" 1.180 - 4.724 = ± 0.020"	DRAWN J.CHENG 06/01/09  CHECKED  ISSUED  SHEET 1 OF 1  CAD FILE C:/CONNEX/252204.DWG	<h2 style="text-align: center;">MCX CRIMP PLUG (FOR 1.13 MM CABLE)</h2>					
7	SLEEVE	BRASS	GOLD	1							PART DESCRIPTION	
6	INSULATOR	PTFE	NATURAL	1			PART NO.	252204				
5	CONTACT	BRASS	GOLD	1			DWG. NO.	252204.DWG	REV.	NC	SCALE	NA
4	HOUSING	BRASS	GOLD	1								
3	INSULATOR	PTFE	NATURAL	1								
2	INSULATOR	PTFE	NATURAL	1								
1	BODY	BRASS	GOLD	1								