



Chipsmall Limited consists of a professional team with an average of over 10 year of expertise in the distribution of electronic components. Based in Hongkong, we have already established firm and mutual-benefit business relationships with customers from,Europe,America and south Asia,supplying obsolete and hard-to-find components to meet their specific needs.

With the principle of “Quality Parts,Customers Priority,Honest Operation,and Considerate Service”,our business mainly focus on the distribution of electronic components. Line cards we deal with include Microchip,ALPS,ROHM,Xilinx,Pulse,ON,Everlight and Freescale. Main products comprise IC,Modules,Potentiometer,IC Socket,Relay,Connector.Our parts cover such applications as commercial,industrial, and automotives areas.

We are looking forward to setting up business relationship with you and hope to provide you with the best service and solution. Let us make a better world for our industry!



Contact us

Tel: +86-755-8981 8866 Fax: +86-755-8427 6832

Email & Skype: info@chipsmall.com Web: www.chipsmall.com

Address: A1208, Overseas Decoration Building, #122 Zhenhua RD., Futian, Shenzhen, China



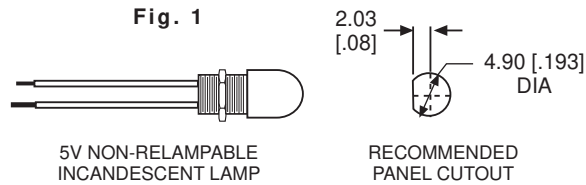
MILITARY PANEL MOUNT INDICATORS

ALL INDICATORS MEET OR EXCEED MILITARY SPECIFICATION MIL-L-3661B

252 SERIES FOR 0.193" MOUNTING HOLE

PART NO.	MIL DESIG.	COLOR	FIG.
252-9951-0937	LHC82/1CN2	CL	1
252-9951-0971	LHC82/1RT2	R	1
252-9951-0972	LHC82/1GT2	G	1
252-9951-0973	LHC82/1YT2	Y	1
252-9951-0974	LHC82/1BT2	BL	1
252-9951-0975	LHC82/1WT2	WH	1

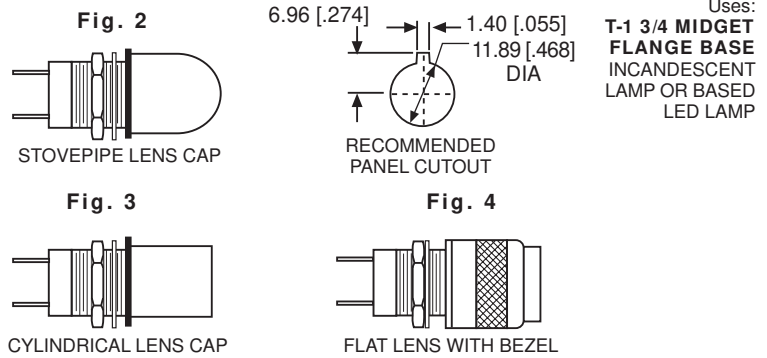
LHC82/1 SUPERCEDES MS25446



359 & 360 SERIES FOR 15/32" MOUNTING HOLE

PART NO.*	MIL DESIG.	COLOR	FIG.
359-8430-0931-502	LH73/1, LC12RN2	R	2
359-8430-0932-502	LH73/1, LC12GN2	G	2
359-8430-0933-502	LH73/1, LC12YN2	Y	2
359-8430-1431-502	LH73/1, LC29RN2	R	3
359-8430-1432-502	LH73/1, LC29GN2	G	3
359-8430-1433-502	LH73/1, LC29YN2	Y	3
360-8430-0331-502	LH73/1, LC11RN2	R	4
360-8430-0332-502	LH73/1, LC11GN2	G	4
360-8430-0333-502	LH73/1, LC11YN2	Y	4

LH73/1, LC12RN2 SUPERCEDES MS25256

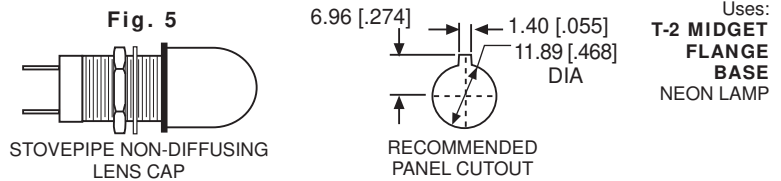


Uses:
T-1 3/4 MIDGET FLANGE BASE
INCANDESCENT LAMP OR BASED LED LAMP

361 SERIES FOR 15/32" MOUNTING HOLE

PART NO.*	MIL DESIG.	COLOR	FIG.
361-8836-0931-552	LH74/1, LC13RN2	R	5
361-8836-0933-552	LH74/1, LC13YN2	Y	5
361-8836-0937-552	LH74/1, LC13CN2	CL	5

LH74/1, LC13RN2 SUPERCEDES MS25257

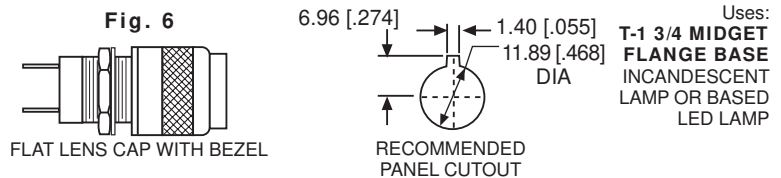


Uses:
T-2 MIDGET FLANGE BASE
NEON LAMP

363 SERIES FOR 15/32" MOUNTING HOLE

PART NO.*	MIL DESIG.	COLOR	FIG.
363-8430-0331-502	LH73/2, LC25RN2	R	6
363-8430-0332-502	LH73/2, LC25GN2	G	6
363-8430-0333-502	LH73/2, LC25YN2	Y	6

FOR RFI/EMI APPLICATIONS



Uses:
T-1 3/4 MIDGET FLANGE BASE
INCANDESCENT LAMP OR BASED LED LAMP

367, 368 & 369 SERIES FOR 15/32" MOUNTING HOLE • OILTIGHT†

PART NO.*	MIL DESIG.	COLOR	FIG.
367-8430-0931-503**	LH89/1, LC35RN2	R	7
367-8430-0932-503	LH89/1, LC35GN2	G	7
367-8430-0933-503**	LH89/1, LC35YN2	Y	7
368-8430-0111-203	LH89/1, LC36RD2	R	8
368-8430-0112-203	LH89/1, LC36GD2	G	8
368-8430-0113-203	LH89/1, LC36YD2	Y	8
369-8430-0111-203	LH89/1, LC37RD2	R	9
369-8430-0112-203	LH89/1, LC37GD2	G	9
369-8430-0113-203	LH89/1, LC37YD2	Y	9

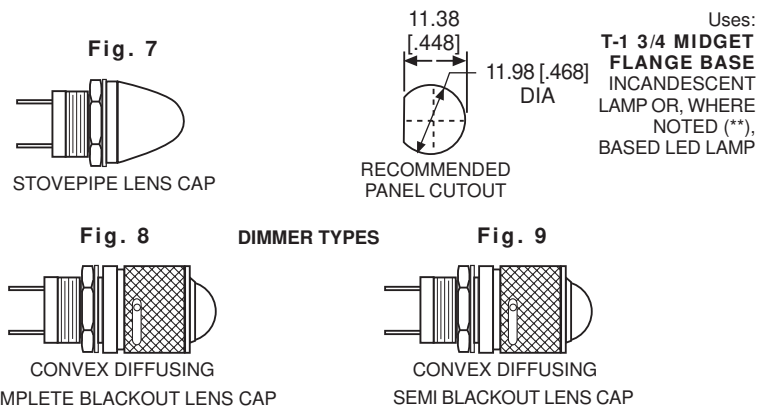
† See Page 14 for Oiltight information

* Cap and bases ordered separately; for complete military part number listing, please see military index on Pages 32 & 33

Neon and incandescent lamp information on pages 35 and 36.

Based LED lamp information on Pages 37 through 40.

Dimensions in mm [inches]



Uses:
T-1 3/4 MIDGET FLANGE BASE
INCANDESCENT LAMP OR, WHERE NOTED (**), BASED LED LAMP

