



Chipsmall Limited consists of a professional team with an average of over 10 year of expertise in the distribution of electronic components. Based in Hongkong, we have already established firm and mutual-benefit business relationships with customers from,Europe,America and south Asia,supplying obsolete and hard-to-find components to meet their specific needs.

With the principle of "Quality Parts,Customers Priority,Honest Operation,and Considerate Service",our business mainly focus on the distribution of electronic components. Line cards we deal with include Microchip,ALPS,ROHM,Xilinx,Pulse,ON,Everlight and Freescale. Main products comprise IC,Modules,Potentiometer,IC Socket,Relay,Connector.Our parts cover such applications as commercial,industrial, and automotives areas.

We are looking forward to setting up business relationship with you and hope to provide you with the best service and solution. Let us make a better world for our industry!



## Contact us

Tel: +86-755-8981 8866 Fax: +86-755-8427 6832

Email & Skype: info@chipsmall.com Web: www.chipsmall.com

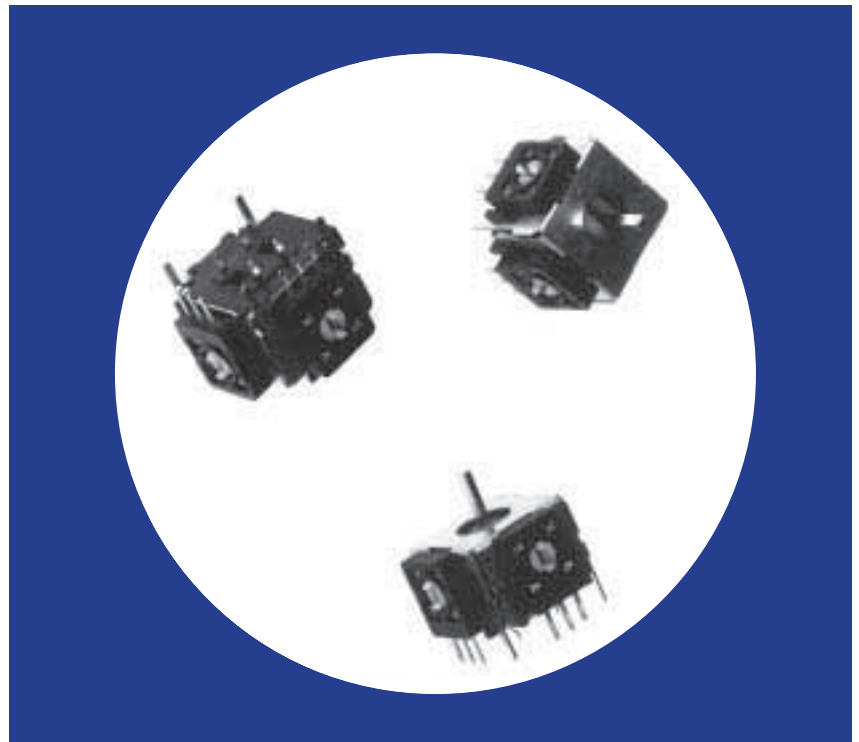
Address: A1208, Overseas Decoration Building, #122 Zhenhua RD., Futian, Shenzhen, China



## Two Axis, Mini-joystick With Momentary Switch

### Features

- Compact Size (20x21x13mm)
- Long Life 1 Million Cycles
- Optional momentary switch is operational at all rotations
- Sturdy metal case with convenient mounting tabs
- RoHS compliant



Pat. No: US 6,353,430 , Taiwan: 128688.

## Electrical and Mechanical Specifications

### Potentiometer 1 & 2

#### Resistance Range

10 K ohms through 200 K ohms

#### Resistance Tolerance

Standard :  $\pm 30\%$

Special:  $\pm 10\%$ ,  $\pm 20\%$  available

#### Dielectric Strength

250 VAC 50/60 Hz for 1 minute

#### Insulation Resistance

100 Megohms @ 250 VDC for 1 minute

#### Operational Torque

$200 \pm 80$  gf.cm

#### Power Rating

0.0125 watt @ 50°C, Derated to no load at 85°C

#### Operating Voltage

50 VAC or 5 VDC maximum

#### Angle of Rotation

60° maximum

#### Life

1,000,000 cycles

### Available Switch

#### Type

Momentary

#### Contact Resistance

100 milliohms maximum initially

200 milliohms max after 500,000 cycles  
switching 5 mA @ 5 VDC

#### Dielectric Strength

250 VAC 50/60 Hz for 1 minute

#### Insulation Resistance

100 Megohms minmum @ 100 VDC

#### Operational Force

$800 \pm 200$  gf

#### Power Rating

5 VDC, 50 mA maximum

#### Travel

$0.9 \pm 0.4$ mm

#### Switch Life

500,000 cycles

# Electrical and Mechanical Specifications

## Potentiometer 1 & 2

### Operating Temperature

-10°C to +70°C

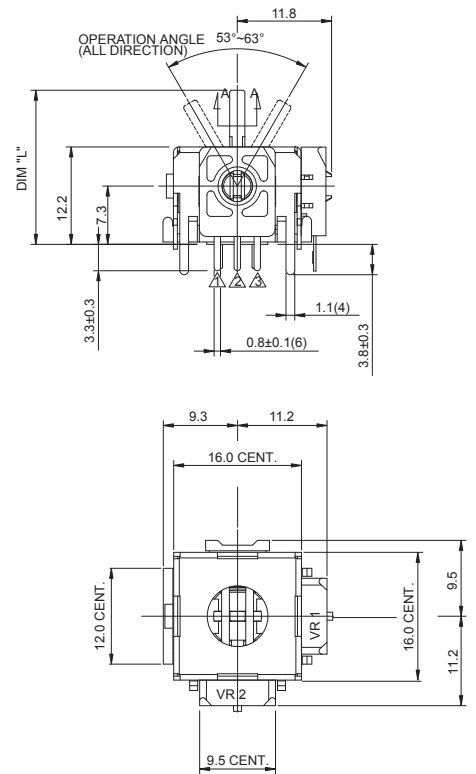
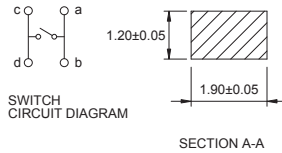
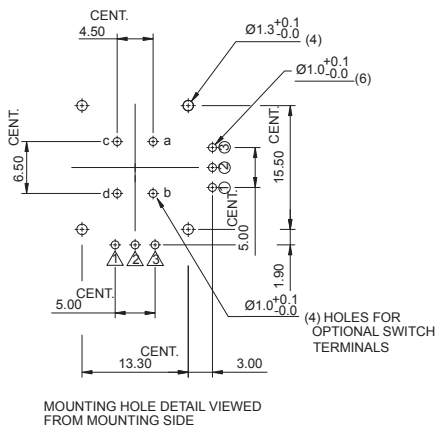
### Soldering Conditions

260 ± 5°C for 5 seconds

### Mounting Information

PC Terminals

## CTS Series 252



DIMENSION:  $\frac{\text{mm}}{\text{inch}}$

## Ordering Information

