



Chipsmall Limited consists of a professional team with an average of over 10 year of expertise in the distribution of electronic components. Based in Hongkong, we have already established firm and mutual-benefit business relationships with customers from,Europe,America and south Asia,supplying obsolete and hard-to-find components to meet their specific needs.

With the principle of “Quality Parts,Customers Priority,Honest Operation,and Considerate Service”,our business mainly focus on the distribution of electronic components. Line cards we deal with include Microchip,ALPS,ROHM,Xilinx,Pulse,ON,Everlight and Freescale. Main products comprise IC,Modules,Potentiometer,IC Socket,Relay,Connector.Our parts cover such applications as commercial,industrial, and automotives areas.

We are looking forward to setting up business relationship with you and hope to provide you with the best service and solution. Let us make a better world for our industry!



Contact us

Tel: +86-755-8981 8866 Fax: +86-755-8427 6832

Email & Skype: info@chipsmall.com Web: www.chipsmall.com

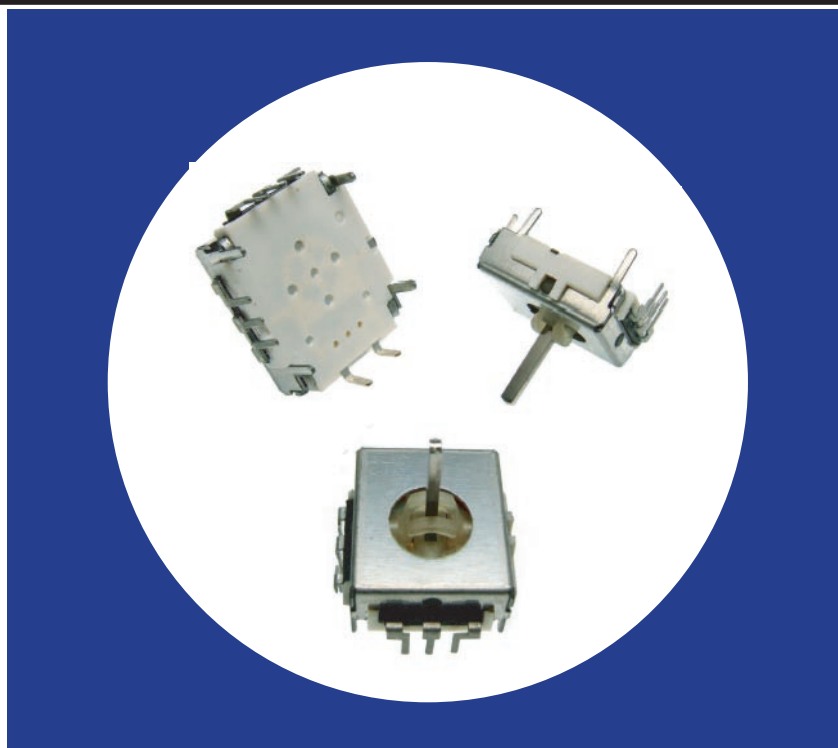
Address: A1208, Overseas Decoration Building, #122 Zhenhua RD., Futian, Shenzhen, China



Two Axis, Half-height Mini-joystick With Optional Momentary Switch

Features

- Compact Size: 20x18x6mm (.79"x.71"x.24")
- Long Life 1 Million Cycles
- Optional momentary switch is operational at all rotations
- Sturdy metal case with convenient mounting tabs
- RoHS compliant



Pat. No: US 6,654,005 , Taiwan: 176676, China ZL02123347

Electrical and Mechanical Specifications

Potentiometer 1 & 2

Resistance Range

10 K ohms through 200 K ohms

Resistance Tolerance

Standard: $\pm 30\%$

Special: $\pm 10\%$, $\pm 20\%$ available

Dielectric Strength

250 VAC 60 Hz for 1 minute

Insulation Resistance

100 Megohms @ 250 VDC

Operation Torque

180 \pm 50 gf.cm

Power Rating

0.0125 watt @ 50°C, derated to load @ 85°C

Maximum Operating Voltage

50 VAC or 5 VDC maximum

Angle of Rotation

54° maximum

Life

1,000,000 cycles

Available Switch

Type

Momentary

Contact Resistance

100 milliohms maximum initially

200 milliohms max after 250,000 cycles
switching 5 mA @ 5VDC

Dielectric Strength

250 VAC 60 Hz for 1 minute

Insulation Resistance

100 Megohms minimum @ 100 VDC for 1 minute

Operational Force

1,200 \pm 260 gf

Power Rating

5 VDC, 5 mA maximum

Travel

0.5 \pm 0.4mm

Switch Life

250,000 cycles

Electrical and Mechanical Specifications

Potentiometer 1 & 2

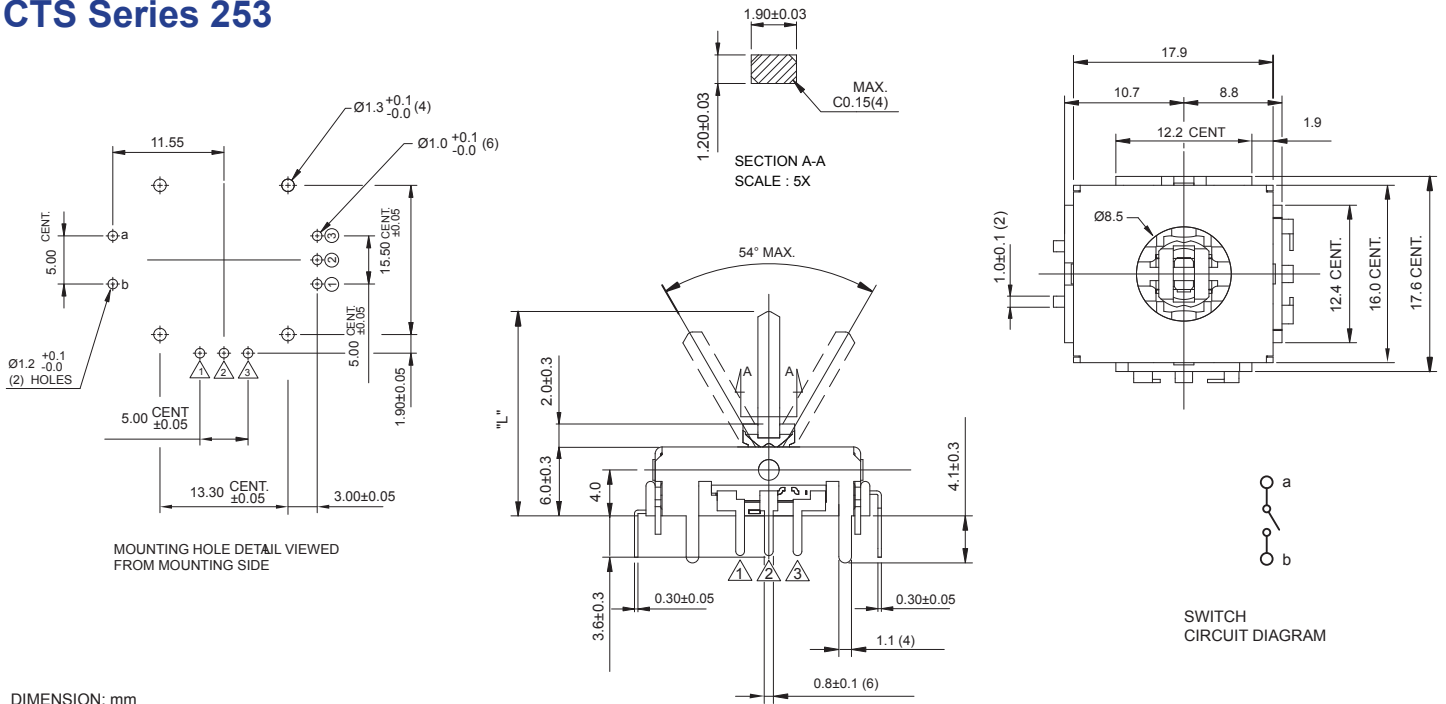
Operating Temperature
-10°C to + 70°C

Mounting Information
PC Terminals

Soldering Conditions
260 ± 5°C for 5 seconds

Caution
Please use extra mechanism to restrict rotational angle at less than 54 degree or there will be bumpy or rugged rotational feeling

CTS Series 253



Ordering Information

