



Chipsmall Limited consists of a professional team with an average of over 10 year of expertise in the distribution of electronic components. Based in Hongkong, we have already established firm and mutual-benefit business relationships with customers from,Europe,America and south Asia,supplying obsolete and hard-to-find components to meet their specific needs.

With the principle of “Quality Parts,Customers Priority,Honest Operation,and Considerate Service”,our business mainly focus on the distribution of electronic components. Line cards we deal with include Microchip,ALPS,ROHM,Xilinx,Pulse,ON,Everlight and Freescale. Main products comprise IC,Modules,Potentiometer,IC Socket,Relay,Connector.Our parts cover such applications as commercial,industrial, and automotives areas.

We are looking forward to setting up business relationship with you and hope to provide you with the best service and solution. Let us make a better world for our industry!



Contact us

Tel: +86-755-8981 8866 Fax: +86-755-8427 6832

Email & Skype: info@chipsmall.com Web: www.chipsmall.com

Address: A1208, Overseas Decoration Building, #122 Zhenhua RD., Futian, Shenzhen, China



Insulating Nuts for CF8 Fuse

RoHS



Specifications

Material: Thermoplastic, Duroplastic
Packaging unit: Pos.1 = 250 pieces
 Pos.2 + 3 = 100 pieces

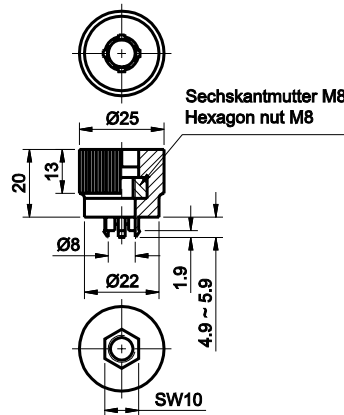
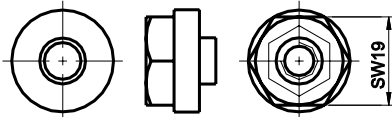
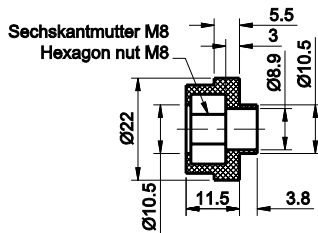
Series Serien	Pack Size
255.0808.xxx1	250
255.0899.xxx1	100

Fuse Holders
High Current

Insulating nuts for CF8 Fuse links.

Isoliermuttern für CF8-Sicherungen.

Dimensions in mm / Maße in mm



Part Number Artikel-Nr.	Description Beschreibung	Contact Temperature Kontakttemperatur
255.0808.0001	Insulating nut (Duroplastic)	max. 300 A (23°C+/-5°C)
255.0899.4001	Insulating nut with locking hook 4.9mm (Thermoplastic) (Red)	max. 150 A (23°C+/-5°C)
255.0899.5001	Insulating nut with locking hook 5.9mm (Thermoplastic) (Black)	max. 150 A (23°C+/-5°C)

Corresponding fuse links see Section "Bolt-down Fuses." If the ring terminal makes contact with the terminal fuse stud, the fuse is bypassed and is not protecting the circuit.