



Chipsmall Limited consists of a professional team with an average of over 10 year of expertise in the distribution of electronic components. Based in Hongkong, we have already established firm and mutual-benefit business relationships with customers from,Europe,America and south Asia,supplying obsolete and hard-to-find components to meet their specific needs.

With the principle of “Quality Parts,Customers Priority,Honest Operation,and Considerate Service”,our business mainly focus on the distribution of electronic components. Line cards we deal with include Microchip,ALPS,ROHM,Xilinx,Pulse,ON,Everlight and Freescale. Main products comprise IC,Modules,Potentiometer,IC Socket,Relay,Connector.Our parts cover such applications as commercial,industrial, and automotives areas.

We are looking forward to setting up business relationship with you and hope to provide you with the best service and solution. Let us make a better world for our industry!



Contact us

Tel: +86-755-8981 8866 Fax: +86-755-8427 6832

Email & Skype: info@chipsmall.com Web: www.chipsmall.com

Address: A1208, Overseas Decoration Building, #122 Zhenhua RD., Futian, Shenzhen, China

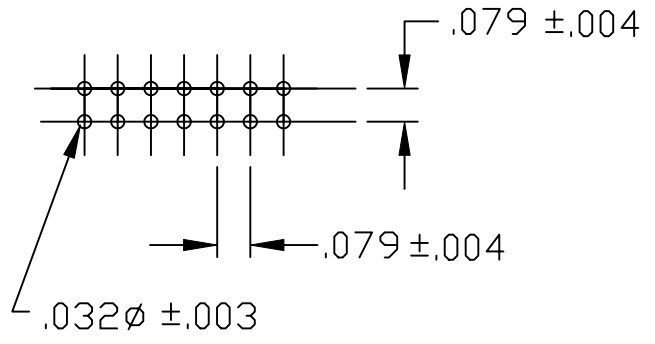
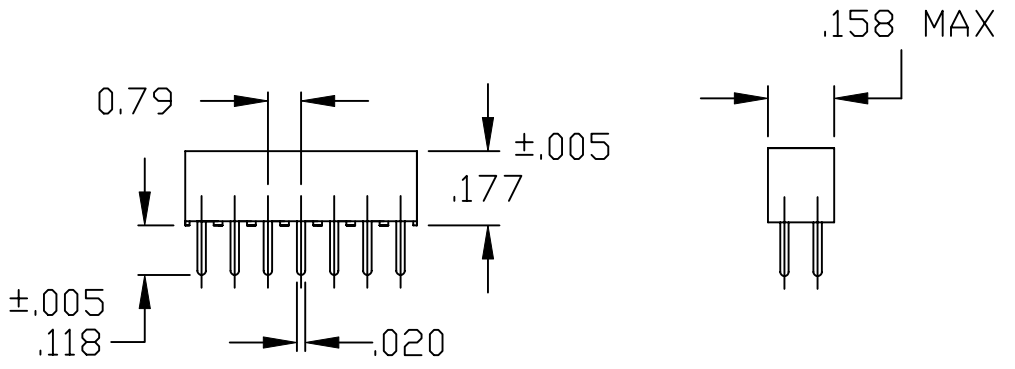
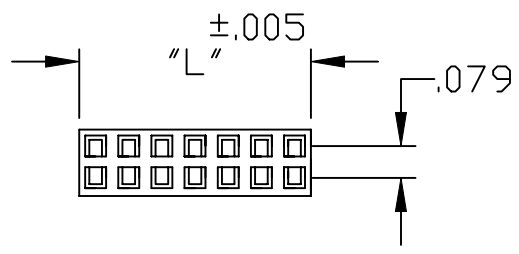


DESCRIPTION: 2MM DUAL ROW RECEPTACLE

"L" = NO. OF CONTACTS PER ROW X .079

MATERIAL:
 HOUSING: NYLON 6T (UL 94V-0) BLACK
 CONTACT: PHOSPHOR BRONZE
 PLATING: GOLD FLASH MATING SIDE
 100µ" TIN ON BOARD SIDE
 RoHS COMPLIANT

ELECTRICAL:
 CURRENT RATING: 1 AMP
 CONTACT RESISTANCE: 20 mΩ MAX.
 INSULATOR RESISTANCE: 5000 MEGΩ MS MIN.
 DWV: 500V AC
 OPERATING TEMP:
 -40°C TO +105°C
 PROCESS TEMP: 260°C FOR 10 SECONDS



SERIES _____ **2564 YY 01RP2**
 2564 = DUAL ROW

POSITIONS _____
 DUAL = INCREMENTS OF 2
 (06 TO 80)

TYPE: _____
 01 = STRAIGHT

PLATING: _____
 P2 = GOLD FLASH

	THESE DRAWINGS AND SPECIFICATIONS ARE THE PROPERTY OF NorComp AND SHALL NOT BE REPRODUCED, COPIED OR USED AS THE BASIS FOR THE MANUFACTURE OF SALE OF APPARATUS WITHOUT WRITTEN PERMISSION.		DRAWN: PAM JENKINS	DATE: 1-30-06
			CHECKED:	DATE:
<h1>NorComp</h1>		SCALE: NTS	SHEET 1 OF 1	REV 2
		DWG NO. 2564YY01RP2		