



Chipsmall Limited consists of a professional team with an average of over 10 year of expertise in the distribution of electronic components. Based in Hongkong, we have already established firm and mutual-benefit business relationships with customers from,Europe,America and south Asia,supplying obsolete and hard-to-find components to meet their specific needs.

With the principle of "Quality Parts,Customers Priority,Honest Operation,and Considerate Service",our business mainly focus on the distribution of electronic components. Line cards we deal with include Microchip,ALPS,ROHM,Xilinx,Pulse,ON,Everlight and Freescale. Main products comprise IC,Modules,Potentiometer,IC Socket,Relay,Connector.Our parts cover such applications as commercial,industrial, and automotives areas.

We are looking forward to setting up business relationship with you and hope to provide you with the best service and solution. Let us make a better world for our industry!



Contact us

Tel: +86-755-8981 8866 Fax: +86-755-8427 6832

Email & Skype: info@chipsmall.com Web: www.chipsmall.com

Address: A1208, Overseas Decoration Building, #122 Zhenhua RD., Futian, Shenzhen, China



INDEX HINGE

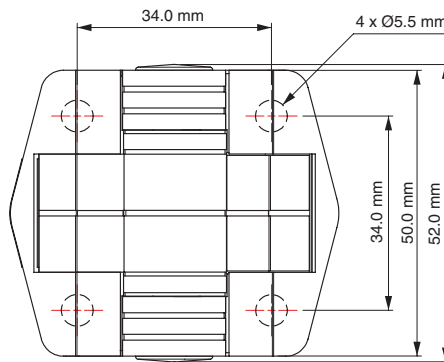
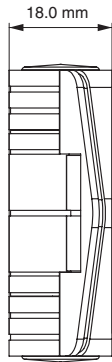
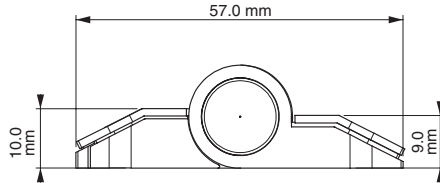


Specifications

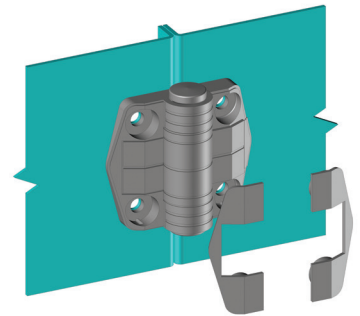
- **Material:**
Body: Polyamide DIN-EN ISO 1043-1 PA6 GFR 30
Pin: Plastic

Features

- Different angle and torque is available
- Holds door open at specific degrees: 80°, 115°, 150°
- Applications: Electric panels, machinery covers



Position	Force (N-m)	Version
	No Detens	10
	0.7	21
	1.1	22
	1.7	23
	0.7	31
	1.1	32
	1.7	33
	0.7	41
	1.1	42
	1.7	43



Item Number	Material	Finish	Version
25992010	Nylon	Black	10
25992021	Nylon	Black	21
25992022	Nylon	Black	22
25992023	Nylon	Black	23
25992031	Nylon	Black	31
25992032	Nylon	Black	32
25992033	Nylon	Black	33
25992041	Nylon	Black	41
25992042	Nylon	Black	42
25992043	Nylon	Black	43