



Chipsmall Limited consists of a professional team with an average of over 10 year of expertise in the distribution of electronic components. Based in Hongkong, we have already established firm and mutual-benefit business relationships with customers from,Europe,America and south Asia,supplying obsolete and hard-to-find components to meet their specific needs.

With the principle of “Quality Parts,Customers Priority,Honest Operation,and Considerate Service”,our business mainly focus on the distribution of electronic components. Line cards we deal with include Microchip,ALPS,ROHM,Xilinx,Pulse,ON,Everlight and Freescale. Main products comprise IC,Modules,Potentiometer,IC Socket,Relay,Connector.Our parts cover such applications as commercial,industrial, and automotives areas.

We are looking forward to setting up business relationship with you and hope to provide you with the best service and solution. Let us make a better world for our industry!



Contact us

Tel: +86-755-8981 8866 Fax: +86-755-8427 6832

Email & Skype: info@chipsmall.com Web: www.chipsmall.com

Address: A1208, Overseas Decoration Building, #122 Zhenhua RD., Futian, Shenzhen, China

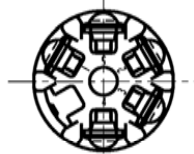
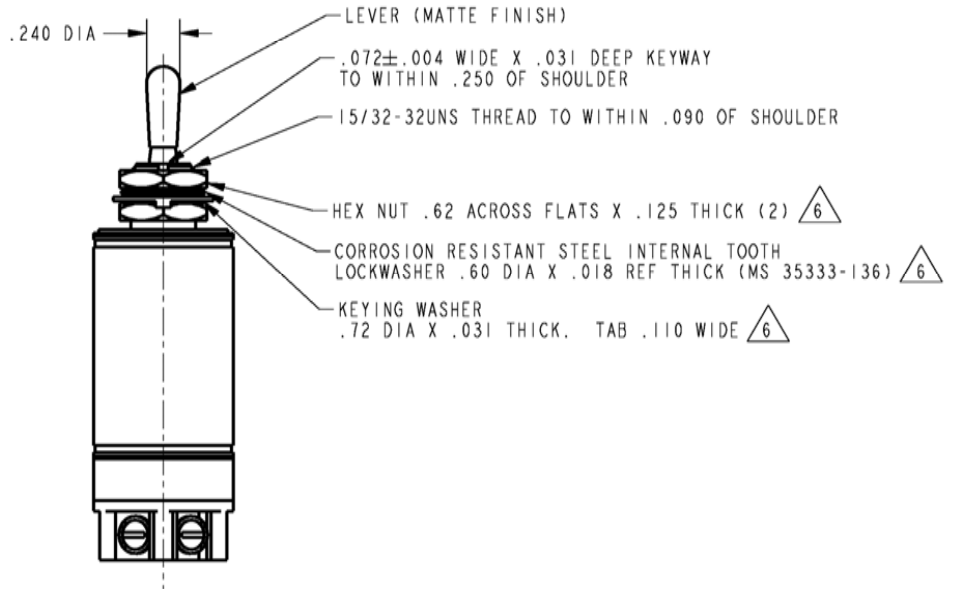
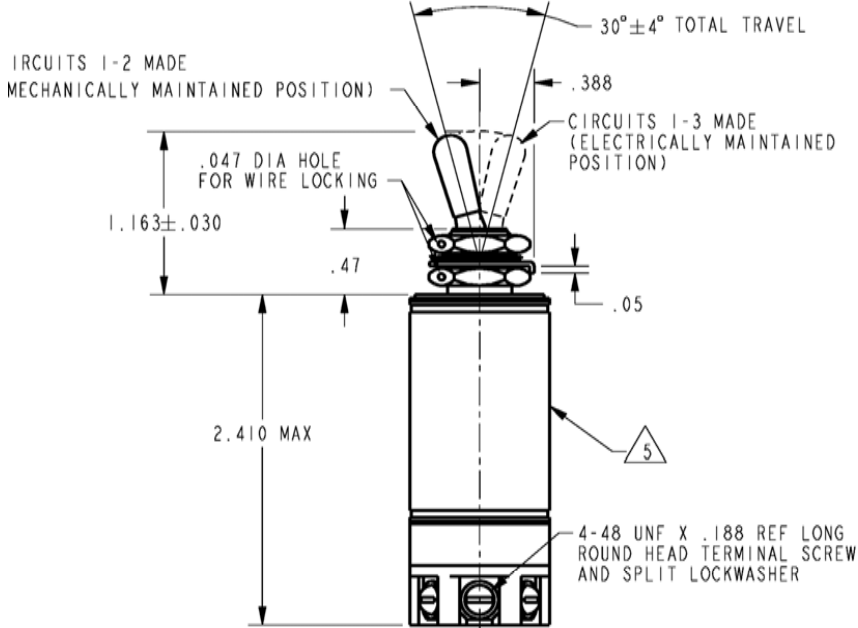
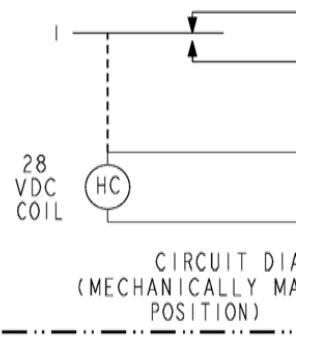


ROSWITCH
Cywell Division
FIG. CODE 91929

**SWITCH - TOGGLE
(MAGNETIC HOLD-IN)**

CATALOG LISTING
25ET61-S

MILITARY STDS. PART NO.
M5594/1-3



- NOTES
- 1 - EXPOSED PARTS ARE OF CORROSION RESISTANT MATERIAL OR ARE SUITABLY PROTECTED TO PREVENT CORROSION, ENCLOSURE FINISHED WITH BLUE EPOXY BASED ENAMEL COLOR NO. 25184 PER FEDERAL STANDARD 595
 - 2 - SWITCH SEALED PER MIL-S-5594
 - 3 - HOLD IN VOLTAGE: THE MINIMUM SPECIFIED VOLTAGE AT WHICH THE LEVER WILL REMAIN ACTUATED. HOLD IN MAY OCCUR AT A LOWER VALUE. DROP OUT VOLTAGE: THE VOLTAGE RANGE IN WHICH THE LEVER WILL BE RELEASED
 - 4 - CIRCUITS CAN BE TRANSFERRED MANUALLY. ENERGIZING THE COIL WILL NOT CAUSE TRANSFER OF CIRCUITS
 - 5 - CIRCUIT IDENTIFICATION IS SHOWN ON SWITCH
 - 6 - HARDWARE MAY BE FURNISHED UNASSEMBLED PER MIL-S-5594

DRAWING COVERS A PROPRIETARY ITEM AND IS THE PROPERTY OF MICRO SWITCH, A DIVISION OF ALL. THIS DRAWING IS NOT TO BE COPIED OR USED WITHOUT THE APPROVAL OF MICRO SWITCH		THIRD ANGLE PROJECTION	
CHARACTERISTICS 3		SCALE FULL	
OPERATING RATING AT 20°C		DO NOT SCALE PRINT	
OPERATING LIMITS-----20-29 VDC		UNLESS OTHERWISE SPECIFIED TOLERANCES ARE	
-----10 VDC		ONE PLACE (.0) ±.030	
-----0-10 VDC		TWO PLACE (.00) ±.015	
STANDBY RESISTANCE-----220 OHM MIN		THREE PLACE (.000) ±.005	
OPERATING FORCE-----7 LBS MAX		ANGLES ±	
OPERATING FORCE AT 29 VDC-----10 LBS MAX		WEIGHT 4.0 OZ MAX	
ELECTRICAL DATA		ANSI Y14.5M-1982 APPLIES	
CONTACT ARRANGEMENT S P D T			
RATINGS IN AMPERES			
SEA LEVEL 65,000 FT			
INRUSH RES INDI MOTOR INRUSH RES INDI MOTOR			
28 VOLTS DC 4 3 4 4 2.3 4			