



Chipsmall Limited consists of a professional team with an average of over 10 year of expertise in the distribution of electronic components. Based in Hongkong, we have already established firm and mutual-benefit business relationships with customers from,Europe,America and south Asia,supplying obsolete and hard-to-find components to meet their specific needs.

With the principle of “Quality Parts,Customers Priority,Honest Operation,and Considerate Service”,our business mainly focus on the distribution of electronic components. Line cards we deal with include Microchip,ALPS,ROHM,Xilinx,Pulse,ON,Everlight and Freescale. Main products comprise IC,Modules,Potentiometer,IC Socket,Relay,Connector.Our parts cover such applications as commercial,industrial, and automotives areas.

We are looking forward to setting up business relationship with you and hope to provide you with the best service and solution. Let us make a better world for our industry!



## Contact us

Tel: +86-755-8981 8866 Fax: +86-755-8427 6832

Email & Skype: info@chipsmall.com Web: www.chipsmall.com

Address: A1208, Overseas Decoration Building, #122 Zhenhua RD., Futian, Shenzhen, China



5

4

3

2

1

受控 CONTROLLED DOCUMENT					
编号 P/N	26-8009-CUST	版本 Rev	01	日期 Rel'd Date	SEP 17,09

DRAWING NO.  
26-8009

REVISIONS					
01	OFFICIAL RELEASE				
	08-05-09	I	W	T	H

2009.09.1  
*Betty*  
11:02:58  
+0800

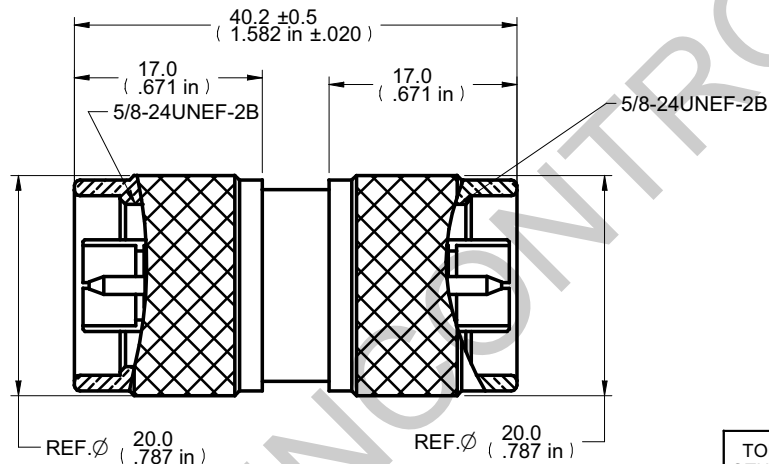
D



Description: CPAD800 N(M-M) Splice UG-57B/U  
 Part No: 26-8009  
 Application: Adapter  
 Crimp Tool: N/A  
 Impedance: 50OHM  
 Frequency Range: N/A  
 Material: Body Brass Nickel Plated  
 Nut Brass Nickel Plated  
 Insulator PTFE  
 Contact Brass Gold Plated  
 RoHS Compliance: Yes  
 Technical Detail: Refer to Emerson Document P/N 26-0000

C

B



**DIM OUTLINE**

**CUSTOMER COPY**

A

TOLERANCE UNLESS OTHERWISE SPECIFIED		DRAWN BY IVON.W	DATE 08-05-09
DECIMALS	mm	CHECKED BY IVON.W	DATE 08-05-09
X	± 0.5	APPROVED BY THOMAS	DATE 08-05-09
X.X	± 0.3		
X.XX	± 0.1		
ANGLES	± 0.5°	U/M	mm



TITLE  
CPAD800 N(M-M) SPLICE UG-57B/U

THIS DRAWING WAS PRODUCED BY COMPUTER,  
DO NOT SCALE DRAWING OR UPDATE MANUALLY.

SHEET 1 OF 1	DRAWING NO. 26-8009	SIZE A
-----------------	------------------------	-----------

5

4

3

2

1