



Chipsmall Limited consists of a professional team with an average of over 10 year of expertise in the distribution of electronic components. Based in Hongkong, we have already established firm and mutual-benefit business relationships with customers from,Europe,America and south Asia,supplying obsolete and hard-to-find components to meet their specific needs.

With the principle of “Quality Parts,Customers Priority,Honest Operation,and Considerate Service”,our business mainly focus on the distribution of electronic components. Line cards we deal with include Microchip,ALPS,ROHM,Xilinx,Pulse,ON,Everlight and Freescale. Main products comprise IC,Modules,Potentiometer,IC Socket,Relay,Connector.Our parts cover such applications as commercial,industrial, and automotives areas.

We are looking forward to setting up business relationship with you and hope to provide you with the best service and solution. Let us make a better world for our industry!



Contact us

Tel: +86-755-8981 8866 Fax: +86-755-8427 6832

Email & Skype: info@chipsmall.com Web: www.chipsmall.com

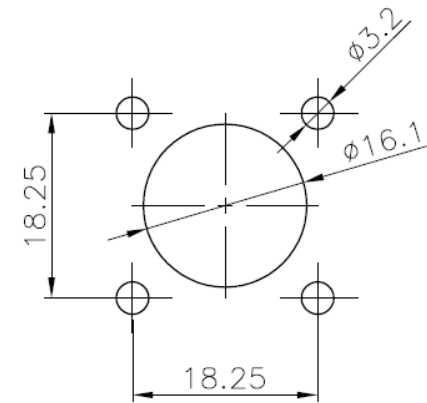
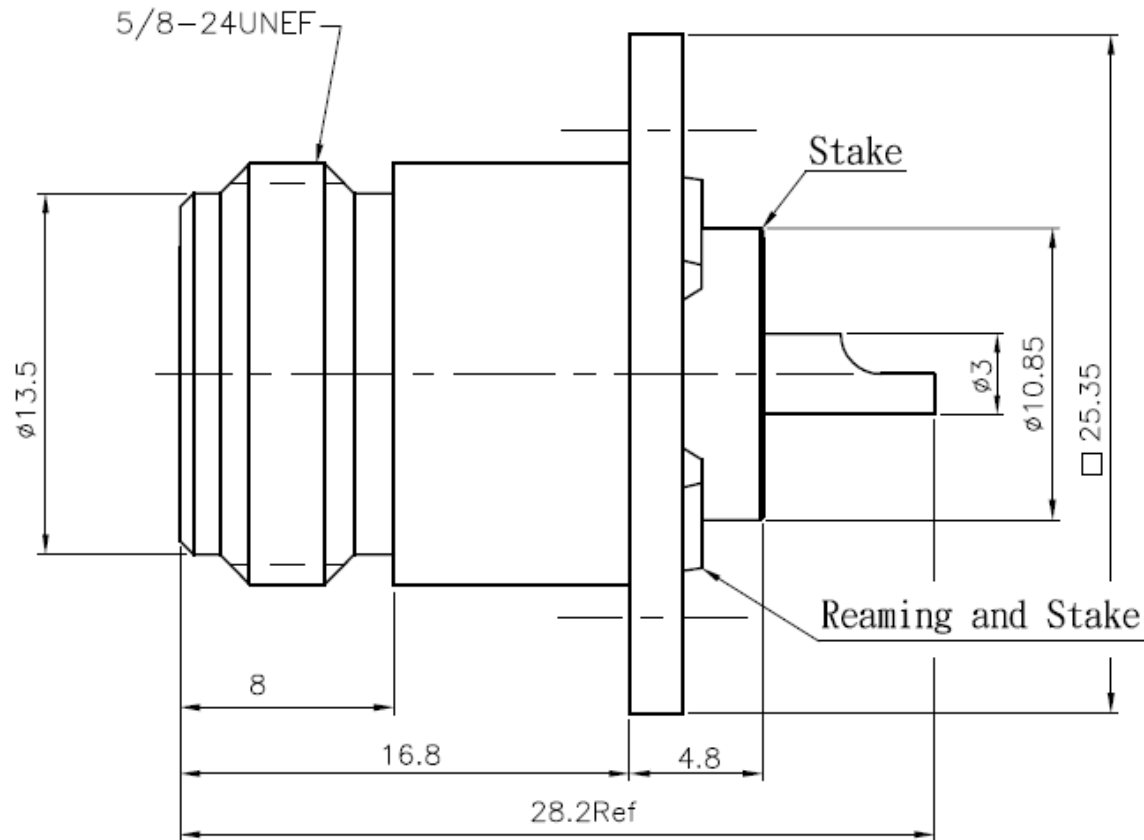
Address: A1208, Overseas Decoration Building, #122 Zhenhua RD., Futian, Shenzhen, China





DESCRIPTION: CPAD801 N (F) TO LUG, FLANGE MNT
 MODEL NUMBER: 26-8011
 APPLICATION: ADAPTER
 CRIMP TOOL: N/A
 IMPEDANCE: N/A
 FREQUENCY RANGE: N/A
 MATERIAL: BODY BRASS NICKEL PLATED
 INSULATOR POM
 CONTACT BRASS NICKEL PLATED

RoHS COMPLIANCE: YES
 TECHNICAL DETAIL: REFER TO EMERSON DOCUMENT P/N 26-0000



Recommend Mounting Hole

<p> <small> This PROPRIETARY Document is property of Cinch Connectivity Solutions. It is confidential in nature, non-transferable, and issued with the clear understanding that it is not traced or copied without permission and is returnable upon demand. INTERPRET DRAWING IN ACCORDANCE WITH ASME Y14.5-2009 </small> </p>		AIM-Cambridge		
	RoHS 2002/95/EC	Title: N Type 4 Hole Flange MT Jack Receptacle		
	<small>UNLESS OTHERWISE SPECIFIED</small> .XX ±.51 .XXX ±.127 ANGLES ±2°	Model No. 26-8011	Size A	DO NOT SCALE DRAWING
	Date: 8/14/2013	Sheet 1 of 1		