



Chipsmall Limited consists of a professional team with an average of over 10 year of expertise in the distribution of electronic components. Based in Hongkong, we have already established firm and mutual-benefit business relationships with customers from,Europe,America and south Asia,supplying obsolete and hard-to-find components to meet their specific needs.

With the principle of “Quality Parts,Customers Priority,Honest Operation,and Considerate Service”,our business mainly focus on the distribution of electronic components. Line cards we deal with include Microchip,ALPS,ROHM,Xilinx,Pulse,ON,Everlight and Freescale. Main products comprise IC,Modules,Potentiometer,IC Socket,Relay,Connector.Our parts cover such applications as commercial,industrial, and automotives areas.

We are looking forward to setting up business relationship with you and hope to provide you with the best service and solution. Let us make a better world for our industry!



Contact us

Tel: +86-755-8981 8866 Fax: +86-755-8427 6832

Email & Skype: info@chipsmall.com Web: www.chipsmall.com

Address: A1208, Overseas Decoration Building, #122 Zhenhua RD., Futian, Shenzhen, China



5

4

3

2

1

DRAWING NO.
26-8016-CUST

REVISIONS

OFFICAL RELEASE

01

08-25-09

T W B Y T

2009.09.0
Betty 8-09-29-07
+08009

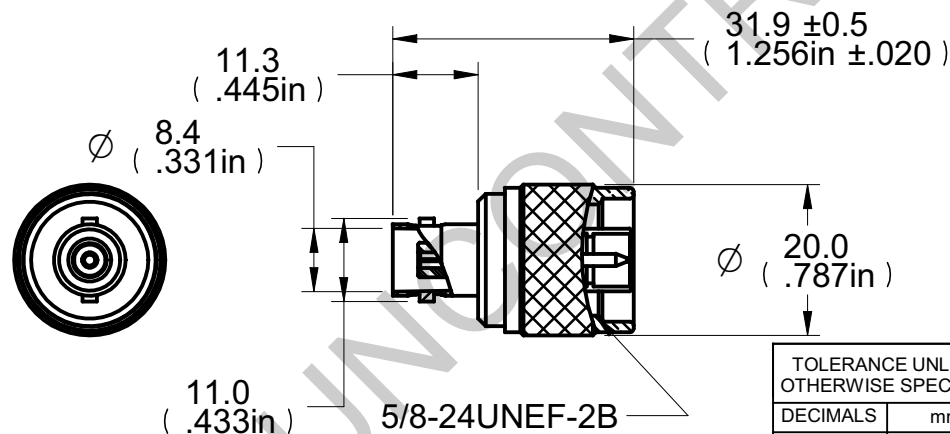
Description: Adapter BNC Jack to N Plug
 Part No: 26-8016
 Application: Adapter
 Crimp Tool: N/A
 Impedance: 50 Ohms
 Fequency Range: 0-4 GHz
 Material: Body Brass Nickel Plated
 Contact Brass Gold Plated
 Insulator Derlin
 Crimp Sleeve Brass Nickel Plated
 Coupling Nut Zinc Nickel Plated

RoHS Compliance: Yes
 Technical Detail: Refer to Emerson Document P/N 27-0000&26-0000



受控 CONTROLLED DOCUMENT

编号 P/N	25-8016-CUST	版本 Rev	01	日期 Rel'd Date	SEP 14,09
-----------	--------------	-----------	----	------------------	-----------



DIM OUTLINE

CUSTOMER COPY

TOLERANCE UNLESS OTHERWISE SPECIFIED		DRAWN BY TERRY.W	DATE 08-25-09
DECIMALS	mm	CHECKED BY TERRY.W	DATE 08-25-09
X	± 0.5	APPROVED BY THOMAS	DATE 08-25-09
X.X	± 0.3	U/M	mm
X.XX	± 0.1		
ANGLES	± 0.5°		



TITLE
ADAPTER,N PLUG TO BNC JACK

THIS DRAWING WAS PRODUCED BY COMPUTER,
DO NOT SCALE DRAWING OR UPDATE MANUALLY.

SHEET
1 OF 1

DRAWING NO.
26-8016-CUST

SIZE
A

5

4

3

2

1