



Chipsmall Limited consists of a professional team with an average of over 10 year of expertise in the distribution of electronic components. Based in Hongkong, we have already established firm and mutual-benefit business relationships with customers from,Europe,America and south Asia,supplying obsolete and hard-to-find components to meet their specific needs.

With the principle of "Quality Parts,Customers Priority,Honest Operation,and Considerate Service",our business mainly focus on the distribution of electronic components. Line cards we deal with include Microchip,ALPS,ROHM,Xilinx,Pulse,ON,Everlight and Freescale. Main products comprise IC,Modules,Potentiometer,IC Socket,Relay,Connector.Our parts cover such applications as commercial,industrial, and automotives areas.

We are looking forward to setting up business relationship with you and hope to provide you with the best service and solution. Let us make a better world for our industry!



Contact us

Tel: +86-755-8981 8866 Fax: +86-755-8427 6832

Email & Skype: info@chipsmall.com Web: www.chipsmall.com

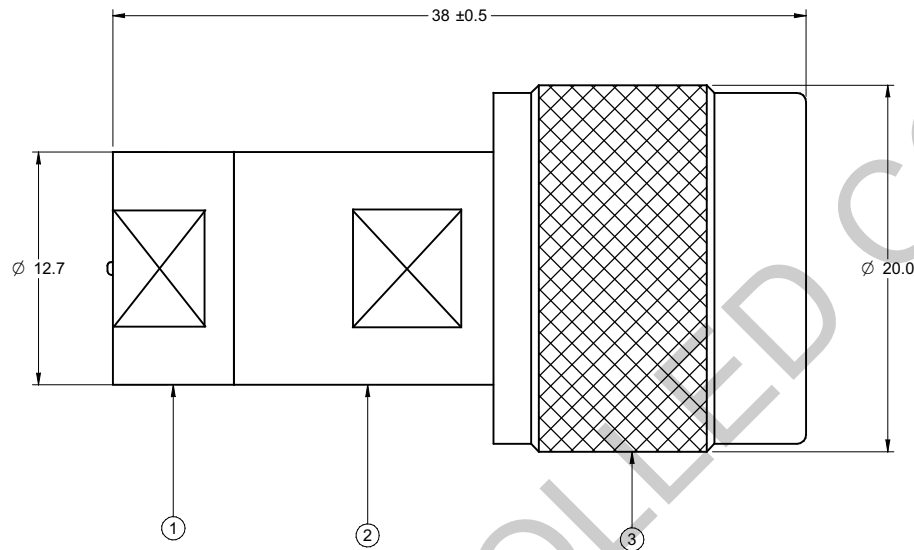
Address: A1208, Overseas Decoration Building, #122 Zhenhua RD., Futian, Shenzhen, China



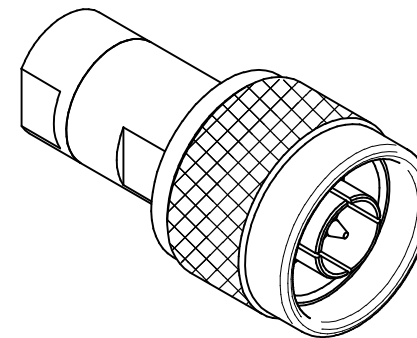
PART NUMBER	ITEM ① NUT	ITEM ② BODY	ITEM ③ NUT
26-8023	BRASS NICKEL PLATED	BRASS NICKEL PLATED	BRASS NICKEL PLATED

DRAWING NO. 26-8023	
REVISIONS	
01	OFFICIAL RELEASE
08-20-09	W L T

2009.09.1
12:56:21
+0800
Betty



受控 CONTROLLED DOCUMENT			
编号 P/N		版本 Rev	日期 Rel'd Date



NOTES:

1. TECHNICAL DETAIL: REFER TO EMERSON DOCUMENT P/N 26-0000

THIS DRAWING TO BE INTERPRETED
PER ANSI Y 14.5M - 1994

COMPANY CONFIDENTIAL



TITLE
N(M) TERMINATOR 50 OHMS
1W@2%

TOLERANCE UNLESS OTHERWISE SPECIFIED		DRAWN BY IVON.WANG	DATE 08-20-09
DECIMALS	mm	CHECKED BY IVON.WANG	DATE 08-20-09
X	± 0.5	APPROVED BY THOMAS	DATE 08-20-09
X.X	± 0.2		
X.XX	± 0.1		
ANGLES	± 0.5°	U/M	mm

THIS DRAWING WAS PRODUCED BY COMPUTER,
DO NOT SCALE DRAWING OR UPDATE MANUALLY.

SHEET 1 OF 1	DRAWING NO. 26-8023	SIZE C
-----------------	------------------------	-----------