



Chipsmall Limited consists of a professional team with an average of over 10 year of expertise in the distribution of electronic components. Based in Hongkong, we have already established firm and mutual-benefit business relationships with customers from,Europe,America and south Asia,supplying obsolete and hard-to-find components to meet their specific needs.

With the principle of “Quality Parts,Customers Priority,Honest Operation,and Considerate Service”,our business mainly focus on the distribution of electronic components. Line cards we deal with include Microchip,ALPS,ROHM,Xilinx,Pulse,ON,Everlight and Freescale. Main products comprise IC,Modules,Potentiometer,IC Socket,Relay,Connector.Our parts cover such applications as commercial,industrial, and automotives areas.

We are looking forward to setting up business relationship with you and hope to provide you with the best service and solution. Let us make a better world for our industry!



## Contact us

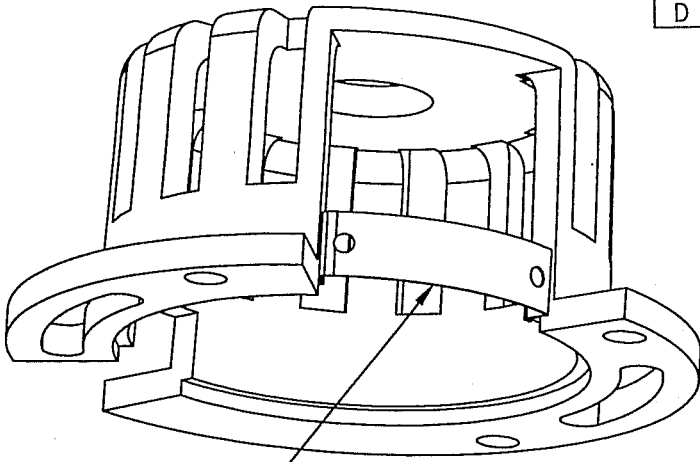
Tel: +86-755-8981 8866 Fax: +86-755-8427 6832

Email & Skype: info@chipsmall.com Web: www.chipsmall.com

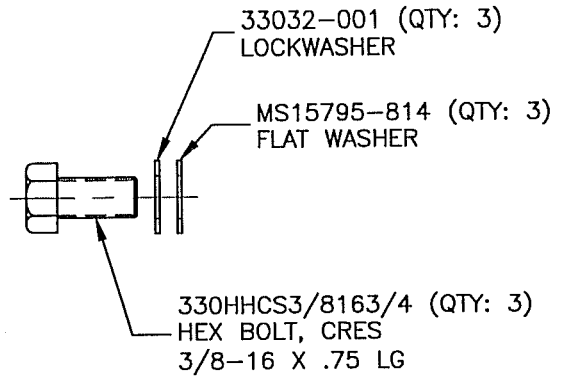
Address: A1208, Overseas Decoration Building, #122 Zhenhua RD., Futian, Shenzhen, China



DASH NO.	APPLICATION		REVISIONS			
	NEXT ASSY.	USED ON	LTR	DESCRIPTION	DATE	APPR
			A	ADDED LOCKWASHERS	2/10/00	
			B	ADDED LABEL	5/3/00	
			C	REMOVED MARATHON LABEL	12/12/00	
			D	ECO_584 (ADD SPRING CLIP)	1/3/06	<i>MB</i>



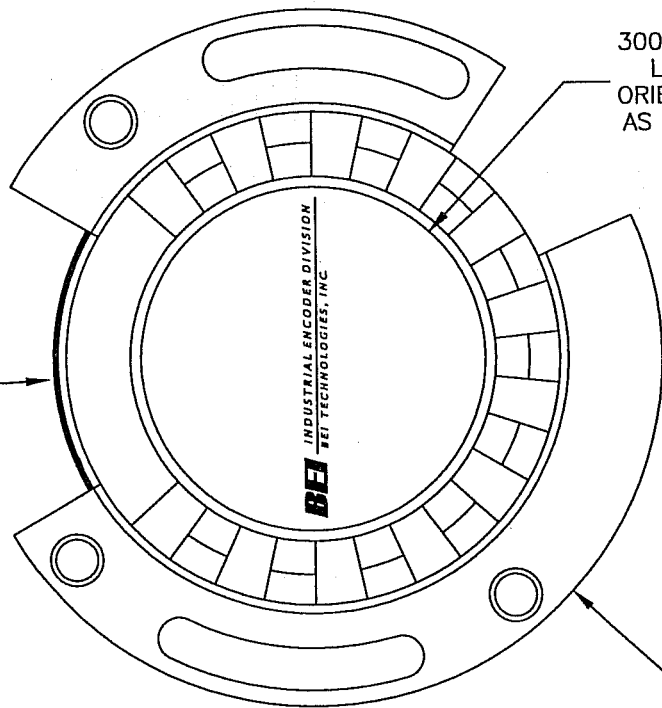
INSTALL SPRING CLIP IN THIS LOCATION



33032-001 (QTY: 3)  
LOCKWASHER

MS15795-814 (QTY: 3)  
FLAT WASHER

330HHCS3/8163/4 (QTY: 3)  
HEX BOLT, CRES  
3/8-16 X .75 LG



38521-001  
SPRING CLIP

30073-001  
LABEL  
ORIENTATED AS SHOWN

23145-001  
PROTECTIVE COVER

UNLESS OTHERWISE SPECIFIED  
DIMENSIONS ARE IN INCHES  
APPLY AFTER FINISH  
TOLERANCES ON  
.XX ±.01  
.XXX ±.005  
ANGLES ± 0° 30'  
REMOVE BURRS AND BREAK ALL  
SHARP EDGES .010 MAX  
ALL DIA. TO BE © WITHIN .010

DRAWN	DVC	DATE	10/11/99
REDRAWN	KRB	DATE	1/3/06
ENGR			
APPR			

**BEI** INDUSTRIAL ENCODER DIVISION  
BEI TECHNOLOGIES, INC.

COVER KIT

SIZE	FSCM NO.	DWG NO.	REV.
A	1RB90	924-26068-001	D
SCALE	NONE	924-26068-001D.DWG	SHEET 1/1

THIS DOCUMENT CONTAINS PROPRIETARY INFORMATION OF  
BEI TECHNOLOGIES, INC. ANY REPRODUCTION, USE OR DISCLOSURE  
OF THIS DOCUMENT WITHOUT WRITTEN CONSENT OF  
BEI TECHNOLOGIES, INC. IS EXPRESSLY PROHIBITED.