



Chipsmall Limited consists of a professional team with an average of over 10 year of expertise in the distribution of electronic components. Based in Hongkong, we have already established firm and mutual-benefit business relationships with customers from,Europe,America and south Asia,supplying obsolete and hard-to-find components to meet their specific needs.

With the principle of “Quality Parts,Customers Priority,Honest Operation,and Considerate Service”,our business mainly focus on the distribution of electronic components. Line cards we deal with include Microchip,ALPS,ROHM,Xilinx,Pulse,ON,Everlight and Freescale. Main products comprise IC,Modules,Potentiometer,IC Socket,Relay,Connector.Our parts cover such applications as commercial,industrial, and automotives areas.

We are looking forward to setting up business relationship with you and hope to provide you with the best service and solution. Let us make a better world for our industry!



## Contact us

Tel: +86-755-8981 8866 Fax: +86-755-8427 6832

Email & Skype: info@chipsmall.com Web: www.chipsmall.com

Address: A1208, Overseas Decoration Building, #122 Zhenhua RD., Futian, Shenzhen, China





# 2620K and 2622K Series Non-Relampable Neon Indicator Lights



## Description and Features

**Mounting:** Supplied with push-on speednut SN2089

**Wire Leads:** No. 22 AWG (105°C) 4.40"/4.80" long. Stripped 0.430"/0.570"

**Lens:** Polycarbonate

**Housing:** White Nylon

Underwriters Laboratories (UL) File No.E20356

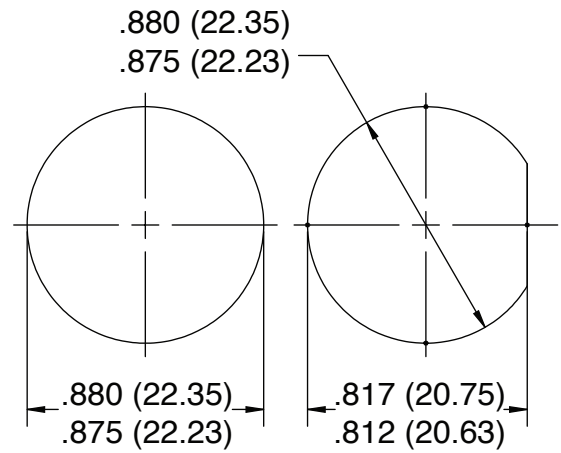
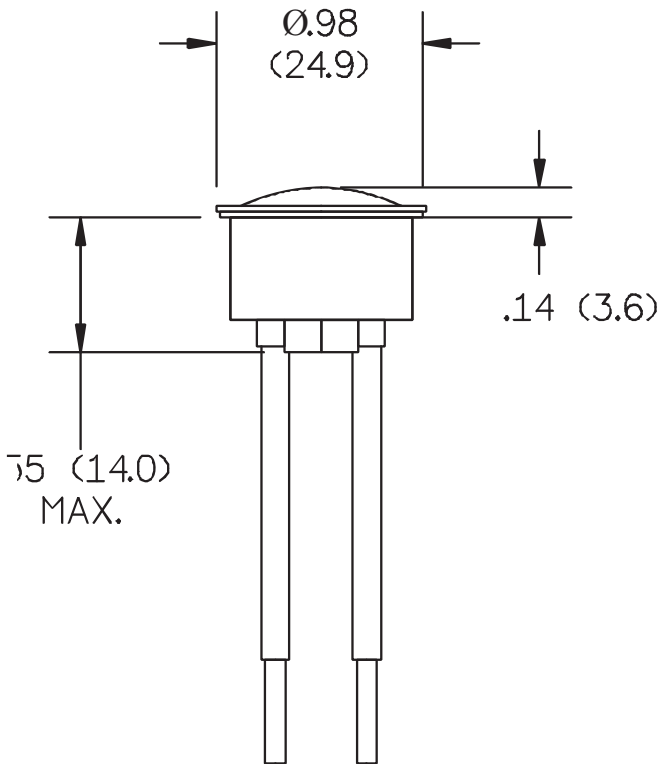
## Ordering Data

Lens Color	Neon
	Model No. (105-125VAC) Wire Leads
Red	2620K 1
Amber	2620K 3
Green	2622K 5*
Lamp used	C 2A+R esistor

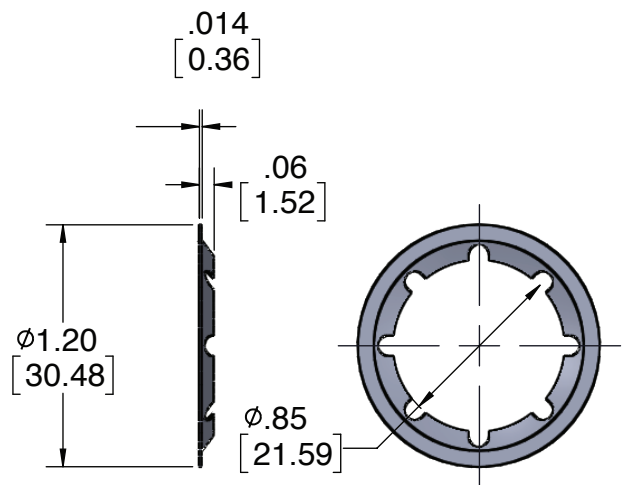
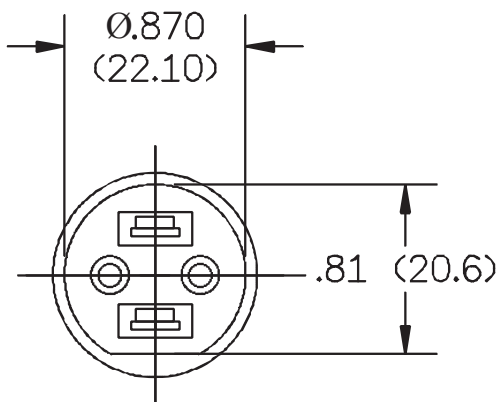
\*Incorporates G2B lamp and resistor

## Product Dimensions

Dimensions in inches [mm]



Optional Mounting Holes



Speednut PT No. SN 2089  
(Supplied) Spring Steel Oil Finish

## Compliances and Approvals

