



Chipsmall Limited consists of a professional team with an average of over 10 year of expertise in the distribution of electronic components. Based in Hongkong, we have already established firm and mutual-benefit business relationships with customers from,Europe,America and south Asia,supplying obsolete and hard-to-find components to meet their specific needs.

With the principle of “Quality Parts,Customers Priority,Honest Operation,and Considerate Service”,our business mainly focus on the distribution of electronic components. Line cards we deal with include Microchip,ALPS,ROHM,Xilinx,Pulse,ON,Everlight and Freescale. Main products comprise IC,Modules,Potentiometer,IC Socket,Relay,Connector.Our parts cover such applications as commercial,industrial, and automotives areas.

We are looking forward to setting up business relationship with you and hope to provide you with the best service and solution. Let us make a better world for our industry!



Contact us

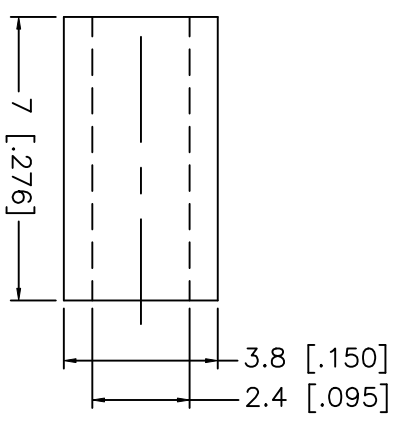
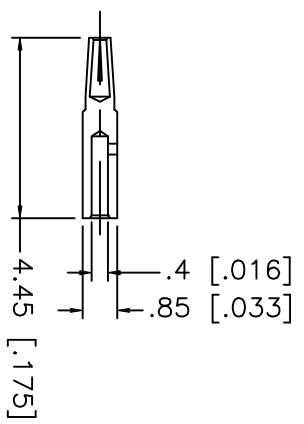
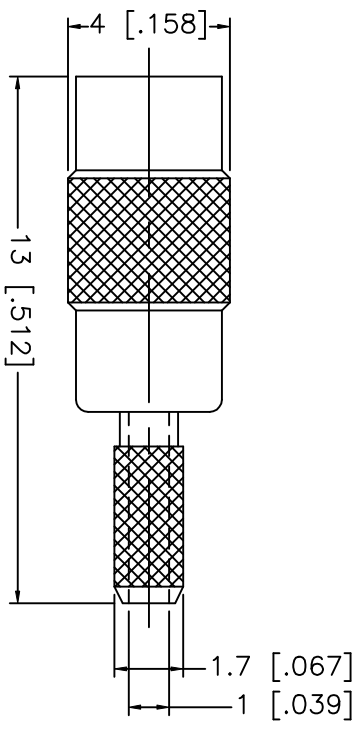
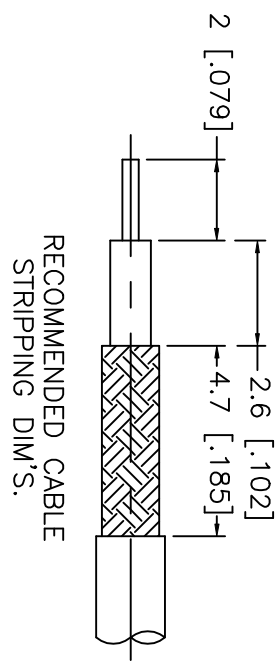
Tel: +86-755-8981 8866 Fax: +86-755-8427 6832

Email & Skype: info@chipsmall.com Web: www.chipsmall.com

Address: A1208, Overseas Decoration Building, #122 Zhenhua RD., Futian, Shenzhen, China



REV.	DATE	DESCRIPTION
A	01/12/02	MODIFY FERRULE LENGTH



DESCRIPTION	MATERIAL	FINISH	UNLESS OTHERWISE SPECIFIED DIMENSIONS ARE IN MILLIMETERS	APPROVALS	DATE	TITLE
1 BODY	BRASS	GOLD	DIMENSIONS IN [] ARE IN INCHES FOR CUSTOMER REFERENCE ONLY UNLESS OTHERWISE SPECIFIED TOLERANCES FOR INCHES ARE: .XXX = ± 0.005" .XX = ± 0.010" .X = ± 0.020" DO NOT SCALE DRAWING	DRAWN	01/12/02	Amphenol - Connex CONNECTOR CORPORATION MMCX CRIMP JACK (FOR RG-178B/u, 196A/u CABLE)
2 INSULATOR	TEFLON	NATURAL		CHECKED		
3 BARREL	BRASS	GOLD		ISSUED		
4 CONTACT PIN	BER. COPPER	GOLD				
5 FERRULE	COPPER	GOLD				
6						
7						
8						

SIZE	FSCM NO.	DWG. NO.	REV.
A	99001	262117.DWG	A
SCALE	PART NO.	SHEET	
NA	262117	1 OF 1	