



Chipsmall Limited consists of a professional team with an average of over 10 year of expertise in the distribution of electronic components. Based in Hongkong, we have already established firm and mutual-benefit business relationships with customers from,Europe,America and south Asia,supplying obsolete and hard-to-find components to meet their specific needs.

With the principle of “Quality Parts,Customers Priority,Honest Operation,and Considerate Service”,our business mainly focus on the distribution of electronic components. Line cards we deal with include Microchip,ALPS,ROHM,Xilinx,Pulse,ON,Everlight and Freescale. Main products comprise IC,Modules,Potentiometer,IC Socket,Relay,Connector.Our parts cover such applications as commercial,industrial, and automotives areas.

We are looking forward to setting up business relationship with you and hope to provide you with the best service and solution. Let us make a better world for our industry!



Contact us

Tel: +86-755-8981 8866 Fax: +86-755-8427 6832

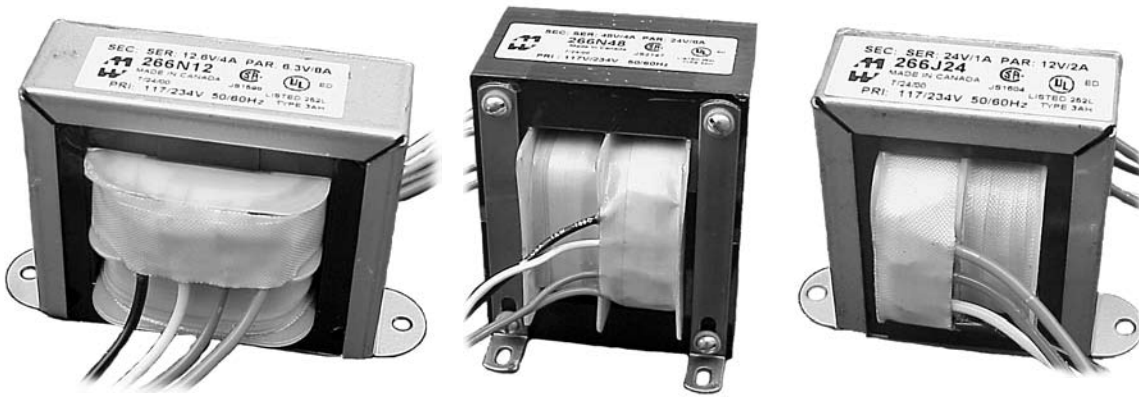
Email & Skype: info@chipsmall.com Web: www.chipsmall.com

Address: A1208, Overseas Decoration Building, #122 Zhenhua RD., Futian, Shenzhen, China



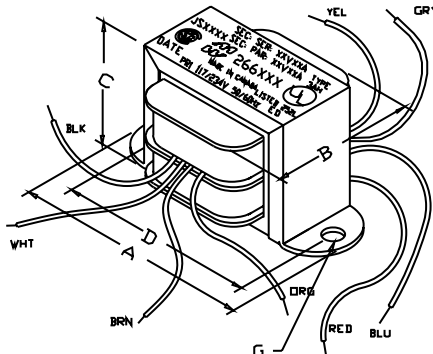
Filament & L.V. Rectifier Use - Dual Primary (266 Series)

Power

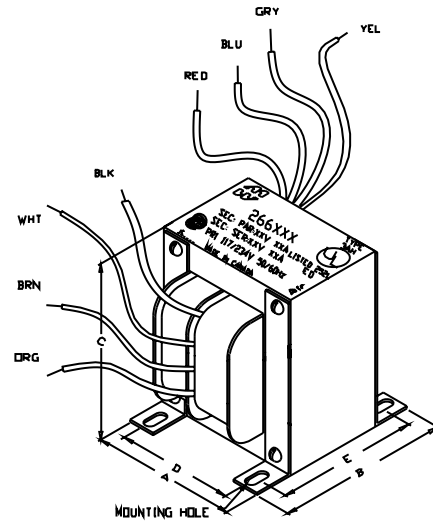


OPEN STYLE DUAL PRIMARY & DUAL SECONDARY FILAMENT & L.V. RECTIFIER USE TRANSFORMERS

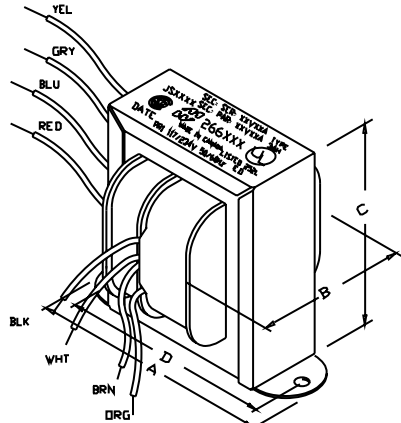
- Dual Primary 117/234 VAC, 50/60 Hz.
- All units also have dual secondaries.
- Secondaries can be used as a center tapped secondary, parallel connected or used individually.
- Open style with minimum 6" long leads.
- Dual bobbin design - no electrostatic shield required.
- We use Class B insulation (130 degrees, C) for extra protection - UL listed as a Class A (105 degree, C) design
- Hi-Pot test of 2,000V RMS.
- UL listed (#E50394) Type 3AH
- CSA certified (#LR3902)



Style A

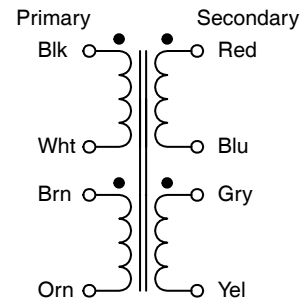


Style B



Style V

Transformer Schematic



EUROPE
Basingstoke, UK 01256 812812

AUSTRALIA
Queenstown, Australia 61-8-8240-2244

www.hammondmfg.com



CANADA
Guelph, Ontario (519) 822-2960
St. Laurent, Quebec (514) 343-9010
USA
Cheektowaga, NY (716) 630-7030



Filament & L.V. Rectifier Use - Dual Primary (266 Series)

Dual Primary 117/234 VAC - 50/60 Hz.

Power

Part No.	Size (VA)	Secondary VAC (RMS)		Mtg. Style	Dimensions (Inches)					Mtg. Hole	Weight lbs.
		Series (C.T.)	Parallel		A	B	C	D	E		
266M2	7.5	2.5V @ 3A	1.25V @ 6A	A	2.82	1.69	1.69	2.38	-	0.187	0.76
266M5	15	5V @ 3A	2.5V @ 6A	A	3.25	2.06	2.00	2.81	-	0.187	1.06
266F6	1.89	6.3V @ 0.3A	3.15V @ 0.6A	A	2.06	1.38	1.25	1.75	-	0.187	0.20
266GB6	3.78	6.3V @ 0.6A	3.15V @ 1.2A	A	2.38	1.48	1.43	2.00	-	0.187	0.40
266J6	6.3	6.3V @ 1A	3.15V @ 2A	A	2.81	1.60	1.68	2.38	-	0.187	0.70
266JB6	7.6	6.3V @ 1.2A	3.15V @ 2.4A	A	2.82	1.69	1.69	2.38	-	0.187	0.70
266L6	12.6	6.3V @ 2A	3.15V @ 4A	A	3.25	2.06	2.00	2.81	-	0.187	0.87
266M6	18.9	6.3V @ 3A	3.15V @ 6A	A	3.25	2.06	2.00	2.81	-	0.187	1.15
266PA6	37.8	6.3V @ 6A	3.15V @ 12A	A	4.00	2.25	2.62	3.56	-	0.187	1.04
266S6	63	6.3V @ 10A	3.15V @ 20A	A	4.00	2.47	2.62	3.56	-	0.187	2.60
266V6B	126	6.3V @ 20A	3.15V @ 40A	B	3.13	3.56	3.81	2.50	3.00	.203 x .375	6.40
266G9	4.5	9V @ 0.5A	4.5V @ 1A	A	2.38	1.48	1.43	2.00	-	0.187	0.40
266E12	1.8	12V @ 0.15A	6V @ 0.3A	A	2.06	1.22	1.25	1.75	-	0.187	0.28
266F12B	3.6	12V @ 0.3A	6V @ 0.6A	A	2.38	1.48	1.43	2.00	-	0.187	0.40
266F12C	4.2	12V @ 0.35A	6V @ 0.7A	A	2.38	1.48	1.43	2.00	-	0.187	0.40
266GD12	8.4	12V @ 0.7A	6V @ 1.4A	A	2.82	1.69	1.69	2.38	-	0.187	0.76
266JA12	12	12V @ 1A	6V @ 2A	V	2.88	1.73	2.37	2.38	-	0.187	1.00
266JB12	14.4	12V @ 1.2A	6V @ 2.4A	A	3.25	2.06	2.00	2.81	-	0.187	1.00
266LA12	24	12V @ 2A	6V @ 4A	V	3.13	1.97	2.75	2.81	-	0.187	1.60
266N12B	48	12V @ 4A	6V @ 8A	A	4.00	2.21	2.62	3.56	-	0.187	2.50
266PA12	72	12V @ 6A	6V @ 12A	A	4.03	2.50	2.63	3.56	-	0.187	2.63
266F12	3.78	12.6V @ 0.3A	6.3V @ 0.6A	A	2.38	1.50	1.45	2.00	-	0.187	0.40
266G12	6.3	12.6V @ 0.5A	6.3V @ 1A	A	2.81	1.60	1.68	2.38	-	0.187	0.60
266J12	12.6	12.6V @ 1A	6.3V @ 2A	A	3.25	1.75	2.00	2.81	-	0.187	1.00
266K12	18.9	12.6V @ 1.5A	6.3V @ 3A	A	3.25	2.06	2.00	2.81	-	0.187	1.15
266L12B	25.2	12.6V @ 2A	6.3V @ 4A	V	3.13	1.97	2.75	2.81	-	0.187	1.60
266L12	31.5	12.6V @ 2.5A	6.3V @ 5A	A	3.69	2.20	2.31	3.13	-	0.187	1.00
266M12	38	12.6V @ 3A	6.3V @ 6A	A	3.69	2.31	2.31	3.13	-	0.187	1.60
266N12	50.4	12.6V @ 4A	6.3V @ 8A	A	4.00	2.40	2.62	3.56	-	0.187	2.69
266G14	7	14V @ 0.5A	7V @ 1A	A	2.81	1.60	1.68	2.38	-	0.187	0.60
266J14	14	14V @ 1A	7V @ 2A	A	3.25	2.06	2.00	2.81	-	0.187	1.20
266L14	28	14V @ 2A	7V @ 4A	A	3.69	2.00	2.31	3.13	-	0.187	1.63
266PA14	84	14V @ 6A	7V @ 12A	B	2.81	2.85	3.44	2.25	2.38	.203 x .375	4.00
266G16	8	16V @ 0.5A	8V @ 1A	A	2.81	1.60	1.68	2.38	-	0.187	0.78
266J16	16	16V @ 1A	8V @ 2A	A	3.25	1.90	2.00	2.81	-	0.187	1.20
266L16	35.2	16V @ 2.2A	8V @ 4.4A	A	3.69	2.20	2.35	3.13	-	0.187	1.90
266M16	48	16V @ 3A	8V @ 6A	A	4.00	2.30	2.62	3.56	-	0.187	2.50
266K18	27	18V @ 1.5A	9V @ 3A	A	3.69	1.97	2.31	3.13	-	0.187	1.58
266M18	54	18V @ 3A	9V @ 6A	A	4.03	2.50	2.63	3.56	-	0.187	2.68
266P18	90	18V @ 5A	9V @ 10A	B	2.81	3.06	3.41	2.25	2.50	.203 x .375	3.90
266F20	6	20V @ 0.3A	10V @ 0.6A	A	2.81	1.60	1.68	2.38	-	0.187	0.60
266G20	10	20V @ 0.5A	10V @ 1A	V	2.88	1.90	2.37	2.38	-	0.187	1.00
266L20	40	20V @ 2A	10V @ 4A	A	4.00	2.25	2.62	3.56	-	0.187	2.63
266M20	60	20V @ 3A	10V @ 6A	A	4.03	2.50	2.63	3.26	-	0.187	2.68
266C24	2	24V @ 0.085A	12V @ 0.17A	A	2.06	1.38	1.19	1.75	-	0.187	0.28
266EA24	4.8	24V @ 0.2A	12V @ 0.4A	A	2.38	1.60	1.45	2.00	-	0.187	0.45
266F24	7.2	24V @ 0.3A	12V @ 0.6A	A	2.81	1.60	1.68	2.38	-	0.187	0.60
266FB24	9.6	24V @ 0.4A	12V @ 0.8A	A	2.82	1.69	1.69	2.38	-	0.187	0.75
266G24	12	24V @ 0.5A	12V @ 1A	V	2.88	1.90	2.37	2.38	-	0.187	1.00
266GD24	16.8	24V @ 0.7A	12V @ 1.4A	A	3.25	2.06	2.00	2.81	-	0.187	1.15
266J24	24	24V @ 1A	12V @ 2A	V	3.13	2.00	2.75	2.81	-	0.187	1.60
266L24	48	24V @ 2A	12V @ 4A	V	3.56	2.25	3.12	3.13	-	0.187	2.25
266M24	72	24V @ 3A	12V @ 6A	A	4.03	2.50	2.63	3.56	-	0.187	2.68
266N24	96	24V @ 4A	12V @ 8A	B	2.81	3.06	3.38	2.25	2.50	.203 x .375	4.40
266P24	120	24V @ 5A	12V @ 10A	B	3.13	2.86	3.81	2.50	2.50	.203 x .375	5.20



CANADA
Guelph, Ontario (519) 822-2960
St. Laurent, Quebec (514) 343-9010
USA
Cheektowaga, NY (716) 630-7030

www.hammondmfg.com



EUROPE
Basingstoke, UK 01256 812812

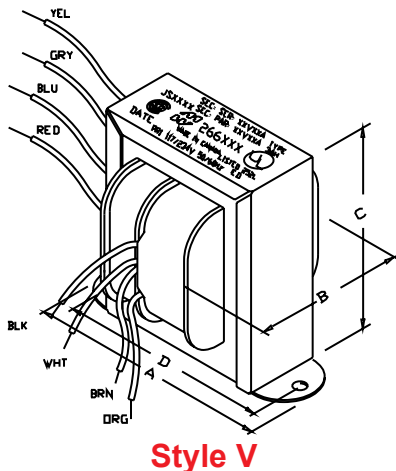
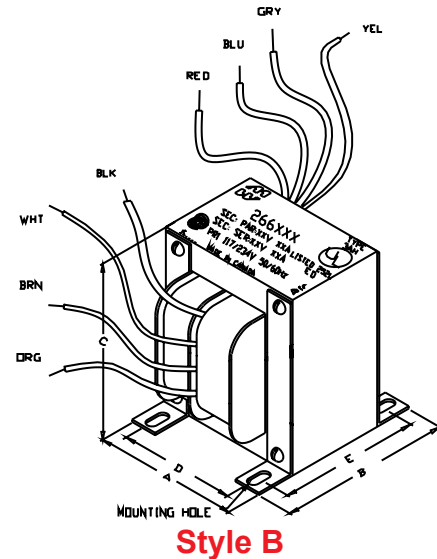
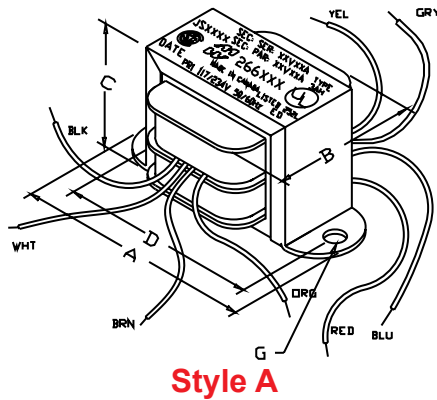
AUSTRALIA
Queenstown, Australia 61-8-8240-2244

Filament & L.V. Rectifier Use - Dual Primary (266 Series)

Dual Primary 117/234 VAC - 50/60 Hz.

Power

Part No.	Size (VA)	Secondary VAC (RMS)		Mtg. Style	Dimensions (Inches)					Mtg. Hole	Weight lbs.
		Series (C.T.)	Parallel		A	B	C	D	E		
266PA24	144	24V @ 6A	12V @ 12A	B	3.13	3.75	3.81	2.50	2.88	.203 x .375	6.00
266R24	192	24V @ 8A	12V @ 16A	B	3.44	3.56	4.13	2.94	3.00	.203 x .375	8.60
266S24	240	24V @ 10A	12V @ 20A	B	3.44	3.60	4.30	2.75	3.00	.203 x .375	8.60
266J25	25.2	25.2V @ 1A	12.6V @ 2A	A	3.25	2.06	2.00	2.81	-	0.187	1.25
266L25	50.4	25.2V @ 2A	12.6V @ 4A	A	4.00	2.25	2.62	3.56	-	0.187	2.69
266LH25	70.56	25.2V @ 2.8A	12.6V @ 5.6A	A	4.00	2.25	2.62	3.56	-	0.187	2.63
266M25	75	25V @ 3A	12.5V @ 6A	A	4.50	2.50	2.90	4.00	-	0.187	3.25
266J26	26.5	26.8V @ 1A	13.4V @ 2A	A	3.25	2.06	2.00	2.81	-	0.187	1.30
266L28	56	28V @ 2A	14V @ 4A	B	2.50	2.50	3.06	2.00	2.25	.203 x .375	2.75
266K35	52.5	35V @ 1.5A	17.5V @ 3A	A	4.00	2.25	2.62	3.56	-	0.187	2.25
266G36	18	36V @ 0.5A	18V @ 1A	A	3.25	2.06	2.00	2.81	-	0.187	1.07
266J36	36	36V @ 1A	18V @ 2A	A	3.69	1.97	2.31	3.13	-	0.187	1.78
266J48	48	48V @ 1A	24V @ 2A	V	3.56	2.20	3.12	3.13	-	0.187	2.50
266L48	96	48V @ 2A	24V @ 4A	B	2.81	3.06	3.38	2.25	2.50	.203 x .375	4.50
266M48	144	48V @ 3A	24V @ 6A	B	3.13	3.06	3.84	2.50	2.50	.203 x .375	6.00
266N48	192	48V @ 4A	24V @ 8A	B	3.44	3.62	4.22	2.75	3.00	.203 x .375	8.00



EUROPE
Basingstoke, UK 01256 812812

AUSTRALIA
Queenstown, Australia 61-8-8240-2244

www.hammondmfg.com



CANADA
Guelph, Ontario (519) 822-2960
St. Laurent, Quebec (514) 343-9010

USA
Cheektowaga, NY (716) 630-7030

