



Chipsmall Limited consists of a professional team with an average of over 10 year of expertise in the distribution of electronic components. Based in Hongkong, we have already established firm and mutual-benefit business relationships with customers from,Europe,America and south Asia,supplying obsolete and hard-to-find components to meet their specific needs.

With the principle of “Quality Parts,Customers Priority,Honest Operation,and Considerate Service”,our business mainly focus on the distribution of electronic components. Line cards we deal with include Microchip,ALPS,ROHM,Xilinx,Pulse,ON,Everlight and Freescale. Main products comprise IC,Modules,Potentiometer,IC Socket,Relay,Connector.Our parts cover such applications as commercial,industrial, and automotives areas.

We are looking forward to setting up business relationship with you and hope to provide you with the best service and solution. Let us make a better world for our industry!



## Contact us

Tel: +86-755-8981 8866 Fax: +86-755-8427 6832

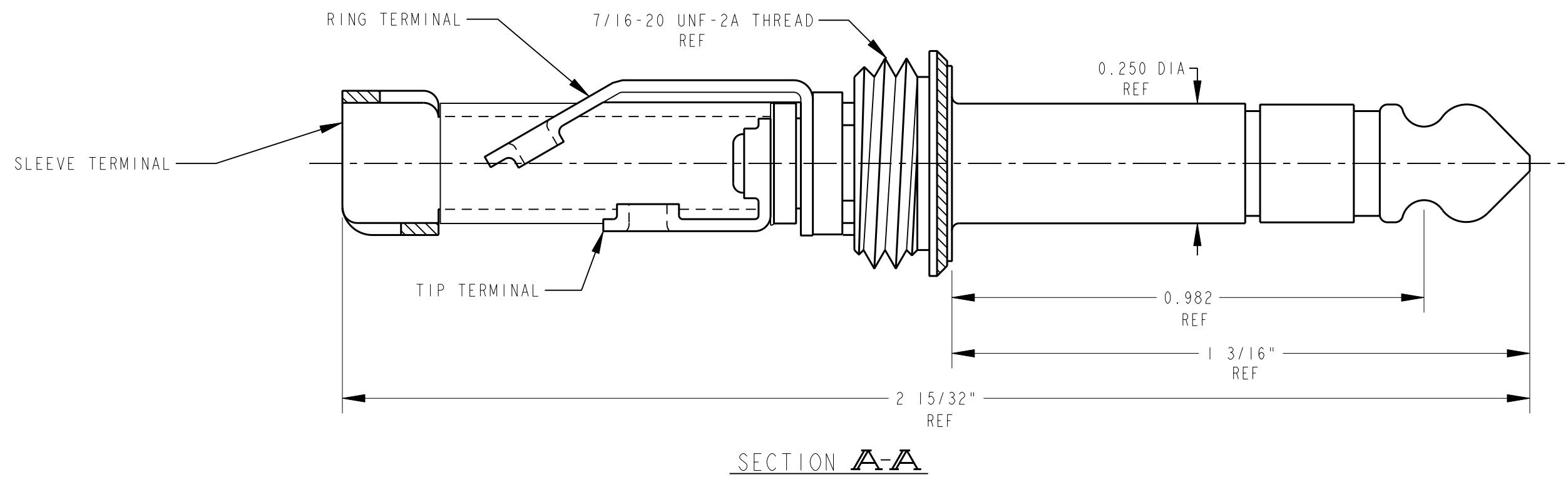
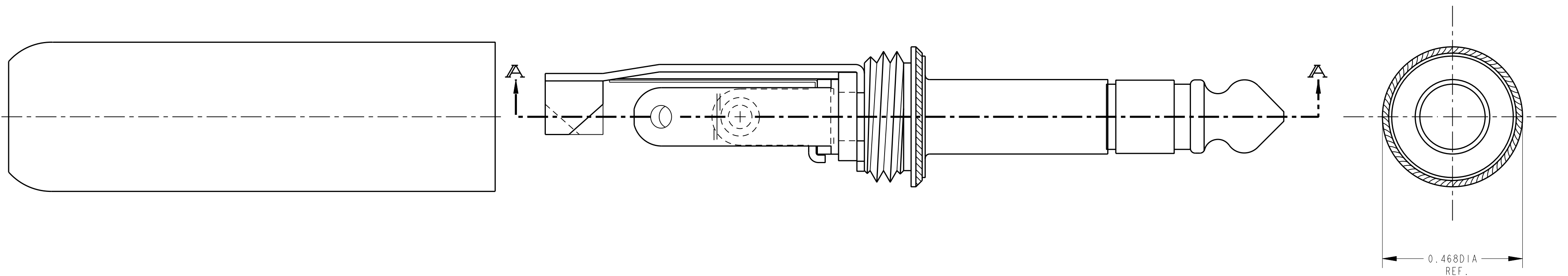
Email & Skype: info@chipsmall.com Web: www.chipsmall.com

Address: A1208, Overseas Decoration Building, #122 Zhenhua RD., Futian, Shenzhen, China



**MATERIALS:**

TIP ROD, RING, SLEEVE: BRASS, NICKEL PLATED  
 SOLDER TERMINALS: NICKEL SILVER, ELECTROTINNED  
 HANDLE: NYLON, TYPE 6/6  
 INSULATORS: GLASS EPOXY, CELENESE, MYLAR



CUSTOMER DRAWING

CAD/CAM DWG. NO.

267\_CD

SHEET 1 OF 1

<p>★ STAR SYMBOL DENOTES CRITICAL DIMENSION. SEE S/C ENGINEERING STANDARD ES-0001</p>				<p>THIS DRAWING DESCRIBES A DESIGN CONSIDERED PROPRIETARY IN NATURE, DEVELOPED AND MANUFACTURED BY SWITCHCRAFT INC. AND IS RELEASED ON A CONFIDENTIAL BASIS FOR IDENTIFICATION PURPOSE ONLY.</p>					
<p>UNLESS OTHERWISE SPECIFIED</p>				SIZE	WIDTH	MULT	LBS./M	TEMPER	
F	ECO #20627	2-19-96	RC	KS	FINISH		MATERIAL		
E	ECO #20186	1-9-96	DEA	TAO	SPEC. NO.		SPEC. NO.		
D	ECO #18757	2-22-94	ES	JP	FIRST USED ON		SCALE		
C	CAD REDRAW WAS REV. B ECO #18404B	9-26-93	LR	GHJ	DATE DRAWN	BY	CHK'D	APP'D	
ISSUE	CHANGE NO.	DATE	BY	APP'D	6-14-78	KJB	PW	JK	
<p>REVISIONS</p>				<p>DO NOT SCALE DRAWING</p>				<p>NAME: PLUG ASSEMBLY</p>	
								<p>PART NO. 267</p>	
								<p>ISSUE F</p>	