



Chipsmall Limited consists of a professional team with an average of over 10 year of expertise in the distribution of electronic components. Based in Hongkong, we have already established firm and mutual-benefit business relationships with customers from,Europe,America and south Asia,supplying obsolete and hard-to-find components to meet their specific needs.

With the principle of “Quality Parts,Customers Priority,Honest Operation,and Considerate Service”,our business mainly focus on the distribution of electronic components. Line cards we deal with include Microchip,ALPS,ROHM,Xilinx,Pulse,ON,Everlight and Freescale. Main products comprise IC,Modules,Potentiometer,IC Socket,Relay,Connector.Our parts cover such applications as commercial,industrial, and automotives areas.

We are looking forward to setting up business relationship with you and hope to provide you with the best service and solution. Let us make a better world for our industry!



## Contact us

Tel: +86-755-8981 8866 Fax: +86-755-8427 6832

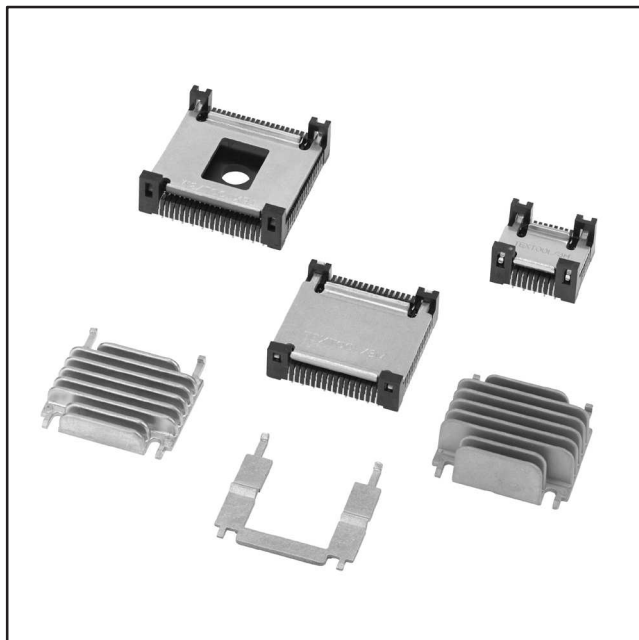
Email & Skype: info@chipsmall.com Web: www.chipsmall.com

Address: A1208, Overseas Decoration Building, #122 Zhenhua RD., Futian, Shenzhen, China



# OEM LCC Sockets

32, 68 & 84 Leads



- Accepts JEDEC leadless ceramic chip carriers
- Variety of lid options available only for 68 position
- "U" lid for I.C.E. adaptor I/O cable exit
- Heat Sink available for 68 position
- Polarizing post on bottom of socket
- No tools required for package insertion/removal
- Full contact probe-ability
- High temperature PPS plastic and BeCu contacts for rugged performance

Date Issued: February 22, 2001

TS-0359-06  
Sheet 1 of 5

---

## Physical

### Insulation

Material: Glass Filled Polyphenylene Sulfide ( PPS )  
Flammability: UL 94V-0  
Color: Black

### Contact

Material: Beryllium Copper  
Plating: 50  $\mu$ " [ 1.27  $\mu$ m ] Nickel with Gold Flash in wiping area and solder tails

**Lid Material:** Aluminum

**Marking:** Raised Letters: 3M Logo & Part Identification

---

## Electrical

**Current Rating:** 1 A

**Insulation Resistance:**  $> 1 \times 10^{12} \Omega$  at 500 Vdc

**Withstanding Voltage:** 1000 Vrms at Sea Level

---

## Environmental

**Temperature Rating Operating:** - 55°C to +105°C

UL File No.: E68080

---

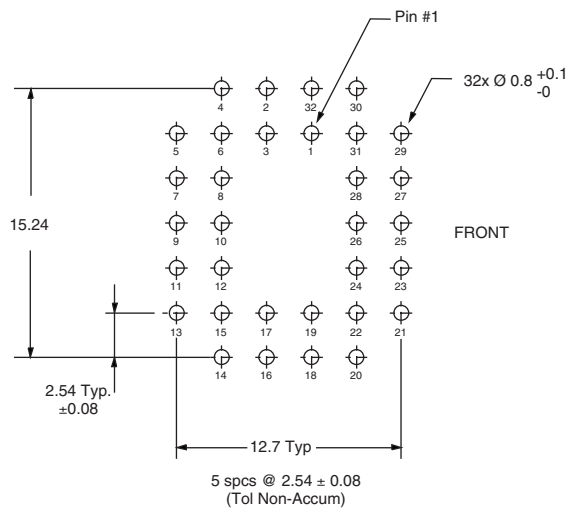
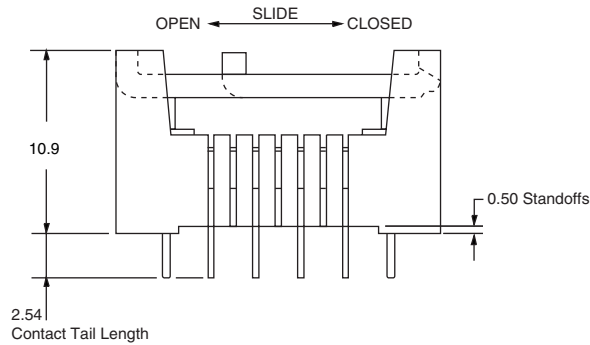
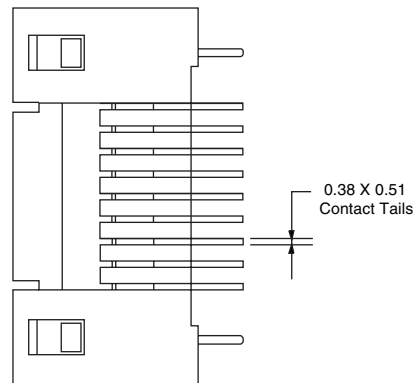
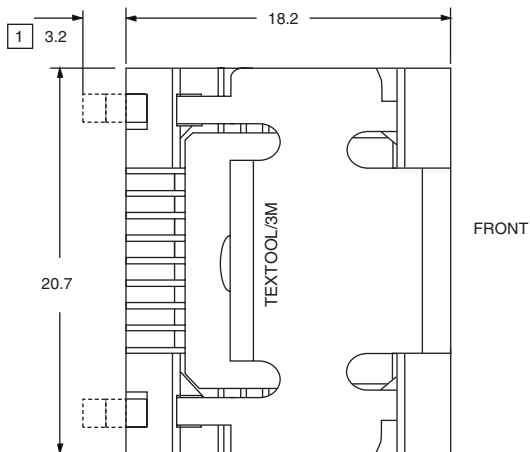
### 3M Electronic Handling and Protection

6801 River Place Blvd.  
Austin, TX 78726-9000

For technical, sales or ordering information call **800-328-0411**  
or visit our website: <http://www.3M.com/ehpd>

# OEM LCC Sockets

## 32, 68 & 84 Leads



DIMENSIONS IN MILLIMETERS		
DIM	.0	.00
TOL	±0.25	±0.13

Notes:

1 Clearance required to allow for slide lid.

### Ordering Information

Lead Count	Part Number	Description	Device Thickness		
			Length	Width	Thickness*
32	232-1271-00-1102JH	Solid Lid			

\*Device Thickness does not include cover.

TS-0359-06  
Sheet 2 of 5

### 3M Electronic Handling and Protection Division

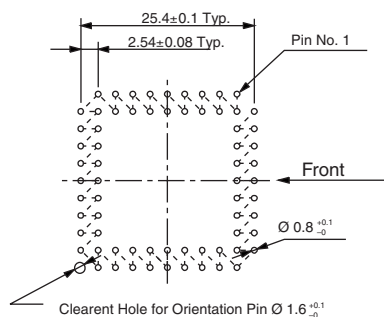
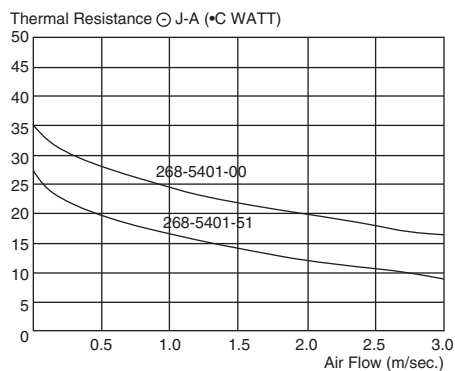
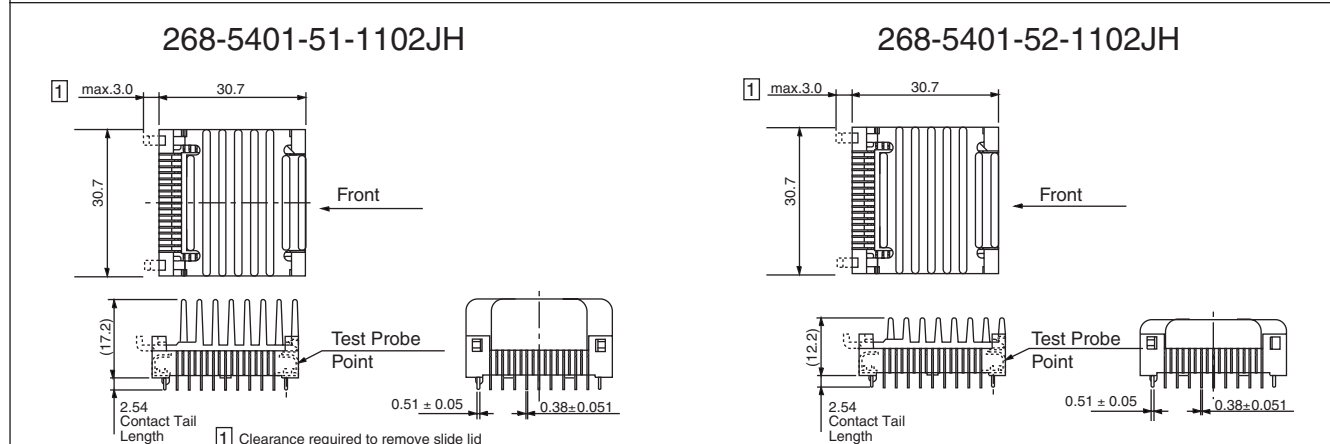
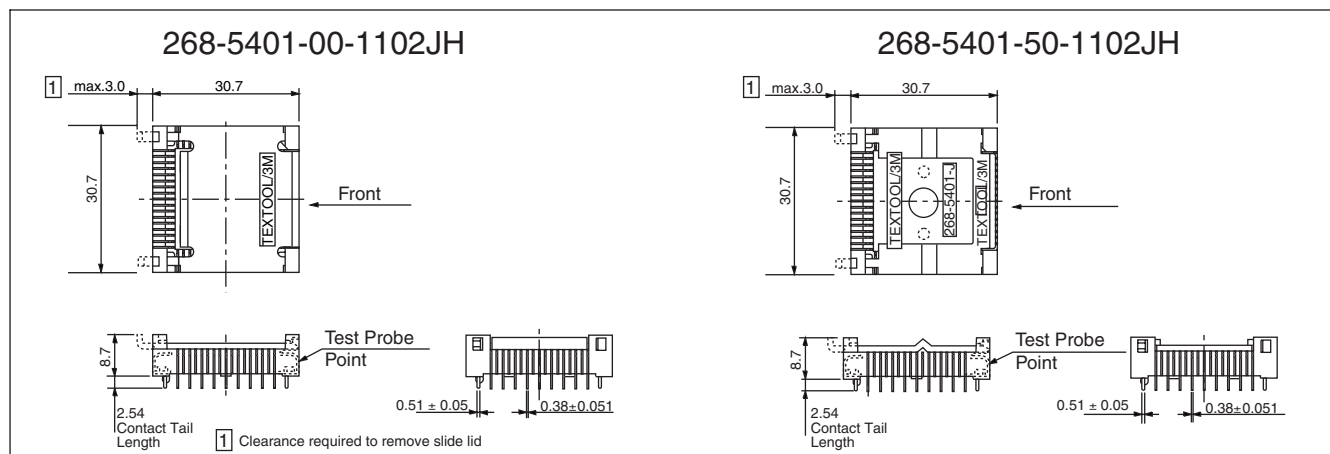
6801 River Place Blvd.  
Austin, TX 78726-9000

For technical, sales or ordering information call **800-328-0411**  
or visit our website: <http://www.3M.com/ehpd>



# OEM LCC Sockets

## 32, 68 & 84 Leads



DIMENSIONS IN MILLIMETERS		
DIM	.0	.00
TOL	±0.25	±0.13

## Ordering Information

Lead Count	Part Number	Description	Applicable Device	
			Body Size	Thickness
68	268-5401-00-1102JH	Chip Carrier-LCC with Full Lid	24.13 ± 0.25	1.52 ± 0.15
68	268-5401-00-0000	Lid - Full	24.13 ± 0.25	1.52 ± 0.15
68	268-5401-11-1102JH	End Use-LCC Type "A" Base Sub-assembly	24.13 ± 0.25	1.52 ± 0.15
68	268-5401-50-0000	Lid-U Shape	24.13 ± 0.25	1.52 ± 0.15
68	268-5401-50-1102JH	Chip Carrier-LCC with U-Shape Lid	24.13 ± 0.25	1.52 ± 0.15
68	268-5401-51-0000	Lid - 11 mm Heat Sink	24.13 ± 0.25	1.52 ± 0.15
68	268-5401-51-1102JH	Chip Carrier-LCC with 11 mm Heat Sink	24.13 ± 0.25	1.52 ± 0.15
68	268-5401-52-0000	Lid - 6 mm Heat Sink	24.13 ± 0.25	1.52 ± 0.15
68	268-5401-52-1102JH	Chip Carrier-LCC with 6 mm Heat Sink	24.13 ± 0.25	1.52 ± 0.15

TS-0359-06  
Sheet 3 of 5

## 3M Electronic Handling and Proteciton Division

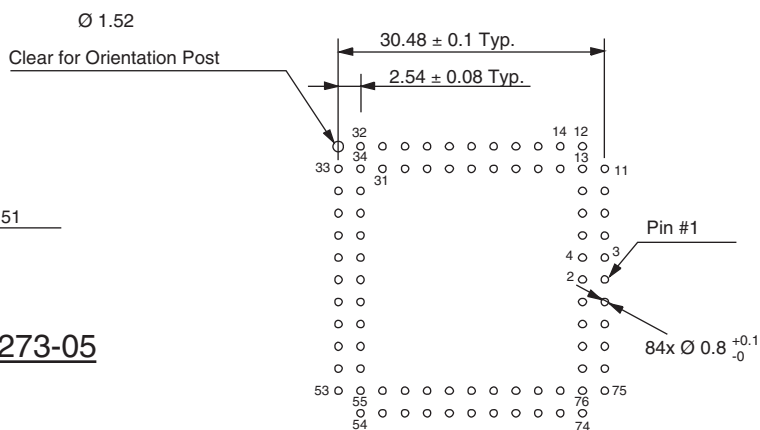
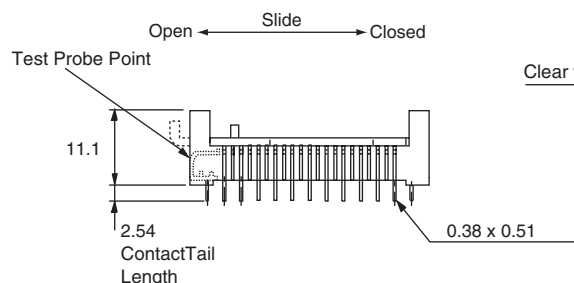
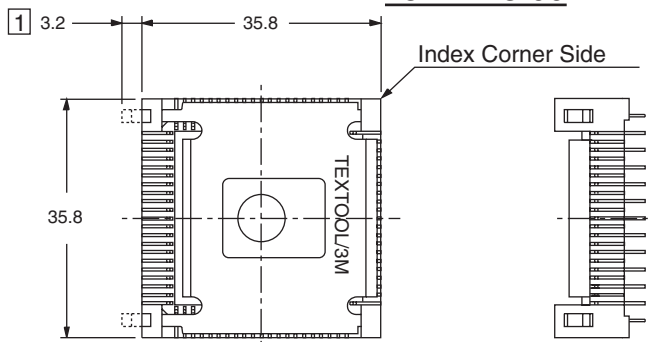
6801 River Place Blvd.  
Austin, TX 78726-9000

For technical, sales or ordering information call **800-328-0411**  
or visit our website: <http://www.3m.com/ehpd>

# OEM LCC Sockets

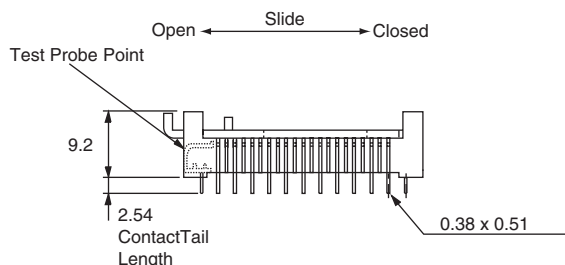
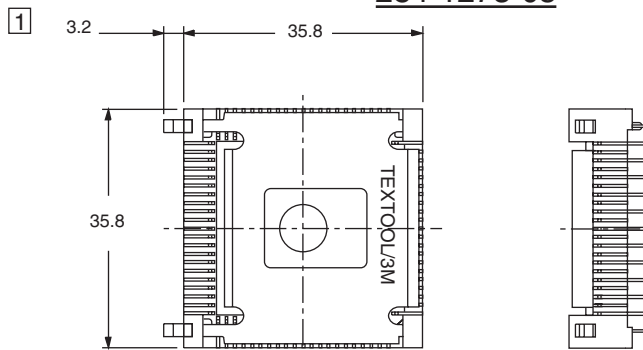
## 32, 68 & 84 Leads

### 284-1273-00



**P. C. Board Pattern**

### 284-1273-05



Notes:

- 1 Clearance required to remove slide lid.

DIMENSIONS IN MILLIMETERS		
DIM	.0	.00
TOL	±0.25	±0.13

## Ordering Information

Lead Count	Part Number	Applicable Device	
		Body Size	Thickness*
84	284-1273-00-1102JH	29.21 ± 0.38 Sq	3.40 ± 0.05
84	284-1273-05-1102JH	29.21 ± 0.28 Sq	1.52 ± 0.05

\* Device thickness does not include cover.

TS-0359-06  
4 of 5 Sheet

## 3M Electronic Handling and Protection Division

6801 River Place Blvd.  
Austin, TX 78726-9000

For technical, sales or ordering information call 800-328-0411  
or visit our website: <http://www.3M.com/ehpd>

# OEM LCC Sockets

## 32, 68 & 84 Leads

### Assembly Instructions:

- 1 Remove Lid from the socket body.
- 2 Insert package into socket with chamfered corners meeting.
- 3 Replace lid by inserting into back slot of socket body.
- 4 While pressing lid down slid forward until fully inserted into front slot of socket body.
- 5 To extract package, slide back and remove lid.

