



Chipsmall Limited consists of a professional team with an average of over 10 year of expertise in the distribution of electronic components. Based in Hongkong, we have already established firm and mutual-benefit business relationships with customers from,Europe,America and south Asia,supplying obsolete and hard-to-find components to meet their specific needs.

With the principle of “Quality Parts,Customers Priority,Honest Operation,and Considerate Service”,our business mainly focus on the distribution of electronic components. Line cards we deal with include Microchip,ALPS,ROHM,Xilinx,Pulse,ON,Everlight and Freescale. Main products comprise IC,Modules,Potentiometer,IC Socket,Relay,Connector.Our parts cover such applications as commercial,industrial, and automotives areas.

We are looking forward to setting up business relationship with you and hope to provide you with the best service and solution. Let us make a better world for our industry!



## Contact us

Tel: +86-755-8981 8866 Fax: +86-755-8427 6832

Email & Skype: info@chipsmall.com Web: www.chipsmall.com

Address: A1208, Overseas Decoration Building, #122 Zhenhua RD., Futian, Shenzhen, China



## I/O module - AXL F RTD8 1F - 2688077

Please be informed that the data shown in this PDF Document is generated from our Online Catalog. Please find the complete data in the user's documentation. Our General Terms of Use for Downloads are valid (<http://phoenixcontact.com/download>)



Axioline F temperature module, 8 inputs for connecting temperature shunts (including bus base module and connectors)

### Product description

The module is designed for use within an Axioline F station.

It is used to acquire signals from resistive temperature sensors.

The module supports all common platinum and nickel sensors according to DIN EN 60751 and SAMA. Cu10, Cu50, Cu53 sensors as well as various KTY8x sensor types are also supported.

### Product Features

- 8 analog input channels for the connection of resistance temperature detectors (RTD)
- 500  $\Omega$  and 5 k $\Omega$  linear inputs
- Connection of sensors in 2, 3, and 4-wire technology
- Integrated, digital sensor linearization
- Standardized measured value representation directly in  $^{\circ}\text{C}$ ,  $^{\circ}\text{F}$  or  $\Omega$
- Measured value display in 16-bit format or floating point format
- Programmable filters
- Short-circuit protected inputs
- Device rating plate stored
- Diagnostic and status indicators
- Temperature stability
- Very high level of noise immunity
- Low noise emission
- Installation monitoring by means of "Channel scout" function



### Key commercial data

Packing unit	1 pc
Weight per Piece (excluding packing)	240.0 GRM
Custom tariff number	85389091
Country of origin	Germany

## I/O module - AXL F RTD8 1F - 2688077

### Technical data

#### Dimensions

Width	53.6 mm
Height	126.1 mm
Depth	54 mm
Note on dimensions	The depth is valid when a TH 35-7.5 DIN rail is used (according to EN 60715).

#### Ambient conditions

Ambient temperature (operation)	-25 °C ... 60 °C
Ambient temperature (storage/transport)	-40 °C ... 85 °C
Permissible humidity (operation)	5 % ... 95 % (non-condensing)
Permissible humidity (storage/transport)	5 % ... 95 % (non-condensing)
Air pressure (operation)	70 kPa ... 106 kPa (up to 3000 m above sea level)
Air pressure (storage/transport)	70 kPa ... 106 kPa (up to 3000 m above sea level)
Degree of protection	IP20

#### Connection data

Designation	Axioline F connector
Connection method	Push-in technology
Conductor cross section solid min.	0.2 mm <sup>2</sup>
Conductor cross section solid max.	1.5 mm <sup>2</sup>
Conductor cross section stranded min.	0.2 mm <sup>2</sup>
Conductor cross section stranded max.	1.5 mm <sup>2</sup>
Conductor cross section AWG/kcmil min.	24
Conductor cross section AWG/kcmil max	16
Stripping length	8 mm

#### General

Weight	215 g
Note on weight specifications	with connectors and bus base module
Mounting type	DIN rail
Protection class	III, IEC 61140, EN 61140, VDE 0140-1
Test section	5 V communications power (logic), 24 V supply (I/O) 500 V AC 50 Hz 1 min
	5 V supply (logic)/functional earth ground 500 V AC 50 Hz 1 min
	24 V supply (I/O) / functional earth ground 500 V AC 50 Hz 1 min
Conformance with EMC directives	Noise immunity test in accordance with EN 61000-6-2 Electrostatic discharge (ESD) EN 61000-4-2/IEC 61000-4-2 Criterion B; 6 kV contact discharge, 8 kV air discharge
	Noise immunity test in accordance with EN 61000-6-2 Electromagnetic fields EN 61000-4-3/IEC 61000-4-3 Criterion A; Field intensity: 10 V/m

# I/O module - AXL F RTD8 1F - 2688077

## Technical data

### General

	Noise immunity test in accordance with EN 61000-6-2 Fast transients (burst) EN 61000-4-4/IEC 61000-4-4 Criterion B, 2 kV
	Noise immunity test in accordance with EN 61000-6-2 Transient surge voltage (surge) EN 61000-4-5/IEC 61000-4-5 Criterion B; supply lines DC: $\pm 0.5$ kV/ $\pm 0.5$ kV (symmetrical/asymmetrical); $\pm 1$ kV to shielded I/O cables
	Noise immunity test in accordance with EN 61000-6-2 Conducted interference EN 61000-4-6/IEC 61000-4-6 Criterion A; Test voltage 10 V
	Noise emission test according to EN 61000-6-3 Radio interference properties EN 55022 Class B
Mechanical tests	Vibration resistance in acc. with EN 60068-2-6/IEC 60068-2-6 5g
	Shock in acc. with EN 60068-2-27/IEC 60068-2-27 30g
	Continuous shock according to EN 60068-2-27/IEC 60068-2-27 10g

### Interfaces

Designation	Axioline F local bus
Connection method	Bus base module
Transmission speed	100 MBit/s

### Axioline potentials

Communications power $U_{Bus}$	5 V DC (via bus base module)
Current consumption from $U_{Bus}$	typ. 115 mA
	max. 180 mA
Supply of analog modules $U_A$	24 V DC
Current consumption from $U_A$	typ. 15 mA
	max. 25 mA

### Analog inputs

Number of inputs	8 (for resistance temperature detectors)
Input name	Analog inputs
Description of the input	Inputs for resistive temperature sensors
Connection method	Spring-cage connection with direct connector-in method
	2, 3, 4-wire (shielded)
Sensor types (RTD) that can be used	Pt, Ni, KTY, Cu sensors
Linear resistance measuring range	0 $\Omega$ ... 500 $\Omega$
	0 k $\Omega$ ... 5 k $\Omega$
Nominal value of the current sources	1 mA (Pt100, Ni100, $R_{Lin}$ 500 $\Omega$ ; pulse current, the specification is valid during the sampling phase)
Measured value representation	16 bits (15 bits + sign bit)
Resolution A/D	24 bit
Protective circuit	Short-circuit protection, overload protection of the inputs
Data formats	IB IL, S7-compatible

## I/O module - AXL F RTD8 1F - 2688077

### Technical data

#### Analog inputs

Precision	See Tables under tolerance values
Input filter time	40 ms

### Classifications

#### eCl@ss

eCl@ss 4.0	27240405
eCl@ss 4.1	27240405
eCl@ss 5.0	27242201
eCl@ss 5.1	27242601
eCl@ss 6.0	27242601
eCl@ss 7.0	27242601
eCl@ss 8.0	27242601

#### ETIM

ETIM 3.0	EC001599
ETIM 4.0	EC001599
ETIM 5.0	EC001596

#### UNSPSC

UNSPSC 6.01	43172015
UNSPSC 7.0901	43201404
UNSPSC 11	39121311
UNSPSC 12.01	39121311
UNSPSC 13.2	39121311

### Approvals

#### Approvals

---

#### Approvals

BSH / GL / DNV / RINA / BV / LR / GL-SW / UL Listed / cUL Listed / ABS / GL / cULus Listed

---

#### Ex Approvals

---

#### Approvals submitted

# I/O module - AXL F RTD8 1F - 2688077

## Approvals

---

### Approval details

BSH

GL


DNV


RINA

BV

LR

GL-SW

UL Listed 

cUL Listed 

ABS

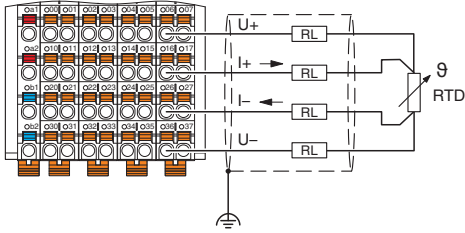
GL

cULus Listed 

## Drawings

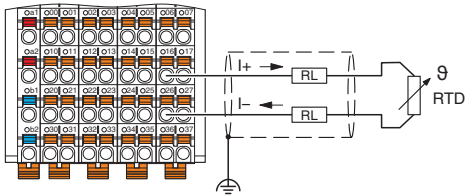
# I/O module - AXL F RTD8 1F - 2688077

Connection diagram



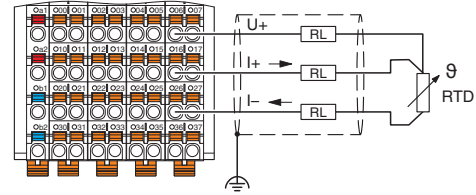
Connection example: 4-wire connection

Connection diagram



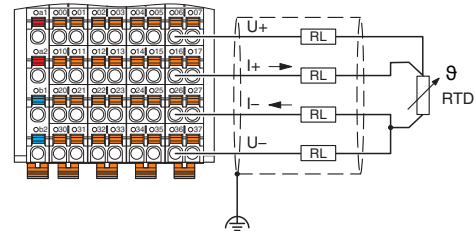
Connection example: 2-wire connection

Connection diagram



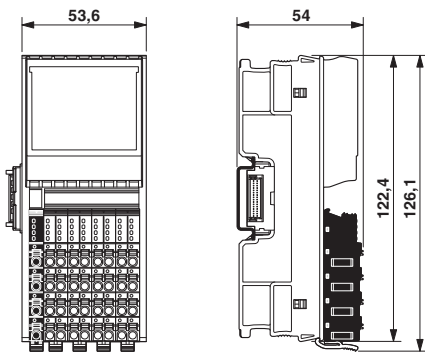
Connection example: 3-wire connection

Connection diagram



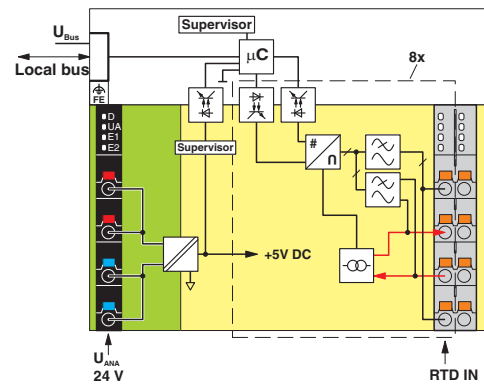
Connection example: 4-wire connection for 3-wire sensor with very long supply lines (> 100 m)

Dimensioned drawing



Dimensional drawing

Block diagram



Internal wiring of the terminal points