



Chipsmall Limited consists of a professional team with an average of over 10 year of expertise in the distribution of electronic components. Based in Hongkong, we have already established firm and mutual-benefit business relationships with customers from,Europe,America and south Asia,supplying obsolete and hard-to-find components to meet their specific needs.

With the principle of “Quality Parts,Customers Priority,Honest Operation,and Considerate Service”,our business mainly focus on the distribution of electronic components. Line cards we deal with include Microchip,ALPS,ROHM,Xilinx,Pulse,ON,Everlight and Freescale. Main products comprise IC,Modules,Potentiometer,IC Socket,Relay,Connector.Our parts cover such applications as commercial,industrial, and automotives areas.

We are looking forward to setting up business relationship with you and hope to provide you with the best service and solution. Let us make a better world for our industry!



Contact us

Tel: +86-755-8981 8866 Fax: +86-755-8427 6832

Email & Skype: info@chipsmall.com Web: www.chipsmall.com

Address: A1208, Overseas Decoration Building, #122 Zhenhua RD., Futian, Shenzhen, China



AXL F BK ETH

Axioline F bus coupler for Ethernet



Data sheet
8515_en_C07

© PHOENIX CONTACT 2017-05-17

1 Description

Valid from firmware version 1.11.

The bus coupler represents the link between an Ethernet network (Modbus/TCP) and the Axioline F system.

You can connect up to 63 Axioline F devices to an existing Ethernet system with the help of the bus coupler.

Ethernet features

- 2 Ethernet ports (with integrated switch)
- Transmission speed of 10 Mbps and 100 Mbps
- Rotary coding switches for setting the IP address assignment and other functions
- Modbus/TCP (UDP) support
- BootP and DHCP
- Firmware can be updated

Features of Axioline F

- Up to 63 additional Axioline F devices can be connected
- Runtime in the bus coupler is negligible (almost 0 μ s) (for Modbus/UDP)
- Typical cycle time of the Axioline F local bus is around 10 μ s
- Diagnostic and status indicators

**NOTE: In the event of a connection abort, outputs retain their last state**

By default upon delivery, the process data watchdog is deactivated.
Observe the specifications in "Monitoring".



This data sheet is only valid in association with the UM EN AXL F SYS INST user manual.



Make sure you always use the latest documentation.
It can be downloaded from the product at phoenixcontact.net/products.

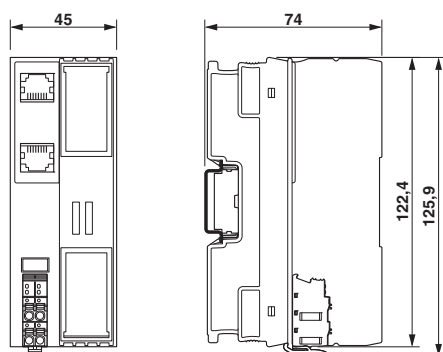
2	Table of contents	
1	Description	1
2	Table of contents	2
3	Ordering data	3
4	Technical data	4
5	Internal circuit diagram	6
6	Connecting Ethernet and supply	7
7	Connection example	7
8	Configuration via rotary encoding switch	8
9	Local status and diagnostic indicators	11
10	Reset button	13
11	Service interface	14
12	Startup behavior of the bus coupler	15
13	Monitoring	16
14	Monitoring of communications power UL (UL-Monitor)	17
15	Substitute value behavior	17
16	Modbus protocols and registers	17
17	Access to PDI objects	23
18	Simple Network Management Protocol - SNMP	31
19	WBM - Web-based management	31
20	Firmware update	31

3 Ordering data

Description	Type	Order No.	Pcs. / Pkt.
Axioline F bus coupler for Ethernet (including bus base module and connectors)	AXL F BK ETH	2688459	1
Accessories			
Axioline F bus base module for housing type BK (Replacement item)	AXL BS BK	2701422	5
Axioline F short power connector (for e.g., AXL F BK ...) (Replacement item)	AXL CN S/UL	2701421	5
RJ45 connector, shielded, with bend protection sleeve, 2 pieces, gray for straight cables, for assembly on site. For connections that are not crossed, it is recommended that you use the connector set with gray bend protection sleeve. (Connector/Adapter)	FL PLUG RJ45 GR/2	2744856	1
RJ45 connector, shielded, with bend protection sleeve, 2 pieces, green for crossed cables, for assembly on site. For connections that are not crossed, it is recommended that the connector set with green bend protection sleeves is used. (Connector/Adapter)	FL PLUG RJ45 GN/2	2744571	1
CAT5-SF/UTP cable (J-02YS(ST)C HP 2 x 2 x 24 AWG), heavy-duty installation cable, 2 x 2 x 0.22 mm ² , solid conductor, shielded, outer sheath: 7.8 mm diameter, inner sheath: 5.75 mm ± 0.15 mm diameter (Cable/conductor)	FL CAT5 HEAVY	2744814	1
CAT5-SF/UTP cable (J-LI02YS(ST)C H 2 x 2 x 26 AWG), light-duty, flexible installation cable 2 x 2 x 0.14 mm ² , stranded, shielded, outer sheath: 5.75 mm ± 0.15 mm diameter (Cable/conductor)	FL CAT5 FLEX	2744830	1
Crimping pliers, for assembling the RJ45 plugs FL PLUG RJ45..., for assembly on site (Tools)	FL CRIMPTOOL	2744869	1
Zack marker strip for Axioline F (device labeling), in 2 x 20.3 mm pitch, unprinted, 25-section, for individual labeling with B-STIFT 0.8, X-PEN, or CMS-P1-PLOTTER (Marking)	ZB 20,3 AXL UNPRINTED	0829579	25
Zack marker strip, flat, in 10 mm pitch, unprinted, 10-section, for individual labeling with M-PEN 0.8, X-PEN, or CMS-P1-PLOTTER (Marking)	ZBF 10/5,8 AXL UNPRINTED	0829580	50
Insert label, Roll, white, unlabeled, can be labeled with: THERMOMARK ROLL, THERMOMARK ROLL X1, THERMOMARK X, THERMOMARK S1.1. Mounting type: snapped into marker carrier, Lettering field: 35 x 18.7 mm (Marking)	EMT (35X18,7)R	0801831	1
Connecting cable, for connecting the controller to a PC for PC Worx, USB A to micro USB B, 2 m in length. (Cable/conductor)	CAB-USB A/MICRO USB B/2,0M	2701626	1
Documentation			
Application note, English, Starting up the AXL F BK ETH ... bus coupler	AH EN AXL F BK ETH ...	-	-
User manual, English, Axioline F: System and installation	UM EN AXL F SYS INST	-	-
User manual, English, Axioline F: Diagnostic registers, and error messages	UM EN AXL F SYS DIAG	-	-
Application note, English, Handling an Axioline station under Startup+	UM QS EN STARTUP+	-	-
Application note, English, Updating the firmware of an Axioline F bus coupler	AH EN TFTP FIRMWARE UPDATE AXL F BK	-	-

4 Technical data

Dimensions (nominal sizes in mm)



Width	45 mm
Height	125.9 mm
Depth	74 mm
Note on dimensions	The depth is valid when a TH 35-7.5 DIN rail is used (according to EN 60715).

General data

Color	traffic grey A RAL 7042
Weight	177 g (with connector and bus base module)
Ambient temperature (operation)	-25 °C ... 60 °C (Mounting position: wall mounting on horizontal DIN rail) -25 °C ... 55 °C (Mounting position: any)
Ambient temperature (storage/transport)	-40 °C ... 85 °C
Permissible humidity (operation)	5 % ... 95 % (non-condensing)
Permissible humidity (storage/transport)	5 % ... 95 % (non-condensing)
Air pressure (operation)	70 kPa ... 106 kPa (up to 3000 m above sea level)
Air pressure (storage/transport)	70 kPa ... 106 kPa (up to 3000 m above sea level)
Degree of protection	IP20
Protection class	III, IEC 61140, EN 61140, VDE 0140-1
Mounting position	Any (observe temperature derating)

Connection data

Designation	Axioline F connector
Connection method	Push-in technology
Conductor cross section solid / stranded	0.2 mm ² ... 1.5 mm ² / 0.2 mm ² ... 1.5 mm ²
Conductor cross section [AWG]	24 ... 16
Stripping length	8 mm

Interface Ethernet

Number	2
Connection method	RJ45 socket, auto negotiation and auto crossing
Transmission speed	10/100 MBit/s (Half or full duplex mode (automatic detection, can be adjusted manually))
Transmission physics	Ethernet in RJ45 twisted pair
Transmission length	max. 100 m

Interface Axioline F local bus

Connection method	Bus base module
Transmission speed	100 MBit/s

Interface Service

Number	1
Connection method	Micro USB type B

System limits

Number of supported devices	max. 63 (per station)
-----------------------------	-----------------------



NOTE: Electronics may be damaged when overloaded

Observe the logic current consumption of each device when configuring an Axioline F station. It is specified in every module-specific data sheet. The current consumption can differ depending on the individual module. The permissible number of devices that can be connected therefore depends on the specific station structure.

Protocols supported

Protocols supported	Modbus/TCP (UDP), SNMP, HTTP, BootP, DHCP, FTP, TFTP
---------------------	--

Supply of the bus coupler

Supply of communications power U_L	24 V DC
Maximum permissible voltage range	19.2 V DC ... 30 V DC (including all tolerances, including ripple)
Current supply at U_{Bus}	2 A
Current consumption from U_L	typ. 105 mA (without I/Os and $U_L = 24$ V) max. 583 mA (with 2 A at U_{Bus} for the I/Os and $U_L = 24$ V)
Power consumption at U_L	typ. 2.5 W (without I/Os) max. 14 W (with 2 A load at U_{Bus} for the I/Os)



NOTE: Electronics may be damaged when overloaded

Provide external fuses for the 24 V U_L area. The power supply unit must be able to supply four times the nominal current of the external fuse to ensure that it blows in the event of an error.

Error messages to the higher level control or computer system

None

Mechanical tests

Vibration resistance in acc. with EN 60068-2-6/IEC 60068-2-6	5g
Shock in acc. with EN 60068-2-27/IEC 60068-2-27	30g
Continuous shock according to EN 60068-2-27/IEC 60068-2-27	10g

Conformance with EMC Directive 2004/108/EC

Noise immunity test in accordance with EN 61000-6-2

Electrostatic discharge (ESD) EN 61000-4-2/IEC 61000-4-2	Criterion B; 6 kV contact discharge, 8 kV air discharge
Electromagnetic fields EN 61000-4-3/IEC 61000-4-3	Criterion A; Field intensity: 10 V/m
Fast transients (burst) EN 61000-4-4/IEC 61000-4-4	Criterion B, 2 kV
Transient surge voltage (surge) EN 61000-4-5/IEC 61000-4-5	Criterion B; DC supply lines: ± 0.5 kV/ ± 0.5 kV (symmetrical/asymmetrical); field-bus cable shield: ± 1 kV
Conducted interference EN 61000-4-6/IEC 61000-4-6	Criterion A; Test voltage 10 V

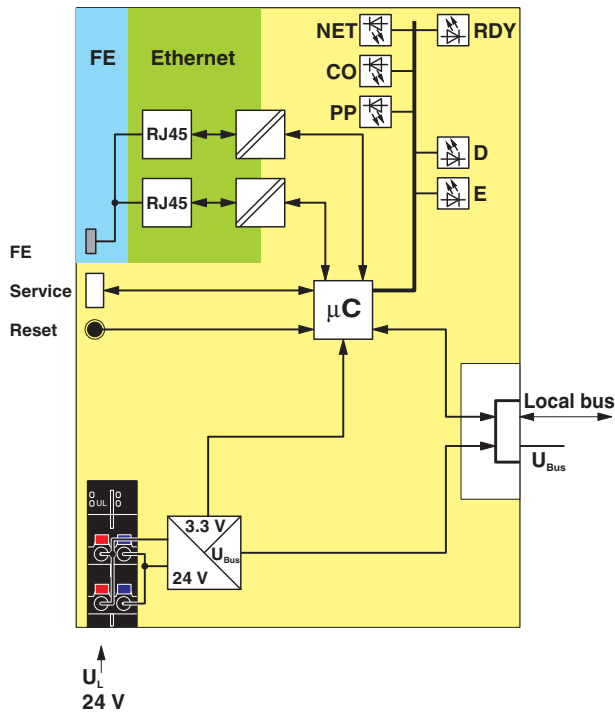
Noise emission test according to EN 61000-6-3

Radio interference properties EN 55022	Class B
--	---------

Approvals

For the latest approvals, please visit phoenixcontact.net/products.

5 Internal circuit diagram



Key:

- FE Functional earth ground
- Service Service interface
- Reset Reset button
- Local bus Axioline F local bus (hereinafter referred to as local bus)
- RJ45 RJ45 interface
- Power supply unit with electrical isolation
- Microcontroller
- Power supply unit
- LED
- Electrically isolated areas

Figure 1 Internal wiring of the terminal points

6 Connecting Ethernet and supply

6.1 Connecting Ethernet

Connect Ethernet to the bus coupler via an 8-pos. RJ45 connector.

The Ethernet connections are set to autocrossing (auto crossover).



Auto crossover is only supported in auto negotiation mode. Without auto negotiation, you can activate crossover manually in the web-based management, if necessary, using the "Manual crossover" checkbox.



Shielding
The shielding ground of the connected twisted pair cables is electrically connected with the socket. When connecting network segments, avoid ground loops, potential transfers, and voltage equalization currents via the braided shield.



Observe bending radii
The housing dimensions specified under "Dimensions" refer to the bus coupler with I/O connectors without Ethernet connection. When installing the bus coupler in a control box, observe the bending radii of the Ethernet cables and the connectors used (e.g., FL CAT5 FLEX: 30 mm for fixed installation and FL CAT5 HEAVY: 30 mm without outer sheath and 45 mm with outer sheath). If required, use angled RJ45 connectors to maintain these bending radii.

6.2 Connecting the supply voltage - terminal point assignment

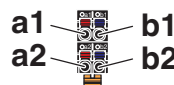


Figure 2 Terminal point assignment

Terminal point	Color	Assignment
Supply voltage input		
a1, a2	Red	24 V DC (U_L) Supply of the logic voltage (internally jumpered)
b1, b2	Blue	GND Reference potential of the supply voltage (internally jumpered)

7 Connection example

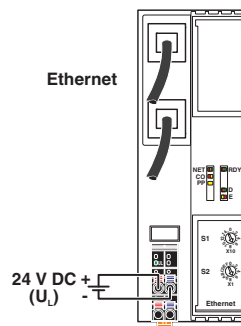


Figure 3 Connection of the cables

8 Configuration via rotary encoding switch

You can configure the address assignment and other functions using rotary encoding switches.

After modifying the switch position, restart the bus coupler, as the modification to the switch position does not take effect during operation.

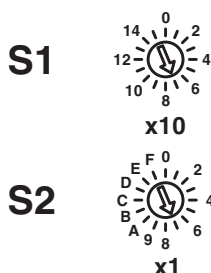


Figure 4 Rotary encoding switch

The code results from the sum of S1 x 10 plus S2 x 1. The image shows code 77 (7 x 10 + 7).

S1	S2	Code	Function
0	0	00	Remote access (default)
0 ... 5	1 ... 0	01 ... 50	Manual address assignment
5 ... 15	0 ... 9	51 ... 159	DHCP name assignment
0	A	0A	Static address
0	E	0E	Resetting IP parameters
1	A	1A	Activate Plug and Play mode
1	B	1B	Deactivate Plug and Play mode
12	C	12C	Resetting to the default settings
Other			Reserved

8.1 Remote access

Switch position 00

At this switch position, it is possible to remotely configure the device using corresponding tools (e.g., Startup+, web-based management (WBM)).

Behavior during initial startup, after resetting the IP parameters or after resetting to default settings

Default: BootP activated, DHCP deactivated

A valid IP address is not assigned (0.0.0.0) and communication is therefore not possible.

The device transmits continuous BootP requests (2 s, 4 s, 8 s, 2 s ...), until a valid IP address has been received.

Valid IP parameters are then automatically saved as configuration data on the device.

Each additional startup

BootP activated

Three BootP requests are transmitted even in the case of a valid configuration. If the device receives a BootP reply, the new IP parameters are applied. Otherwise the device starts with the last valid configuration.

DHCP activated

For behavior, see switch position 51 ... 159. The station name can be selected in WBM, the default station name is the MAC address with "-" used as the separator.

Static (BootP and DHCP deactivated)

The device starts with the last valid assigned IP configuration.

8.2 Manual address assignment

Switch position 01 ... 50

BootP deactivated, DHCP deactivated

The first three octets in the IP address are preset as 192.168.0.x.

The subnet mask is 255.255.255.0.

Specify the last byte with the switch position.

As such, you can select IP addresses between 192.168.0.1 and 192.168.0.50.

Prior to transferring the IP address, a test is performed to check for any potential IP address conflicts. If a conflict is detected, the bus coupler temporarily switches the IP address to 0.0.0.0 (no IP communication). In this case, the NET LED flashes red. Eliminate the conflict and restart the bus coupler.

8.3 DHCP name assignment

Switch position 51 ... 159

This switch position is used to easily specify the DHCP host name for the device.

The host name is provided to the DHCP server via DHCP options. This is therefore able to send a DNS update to the DNS server.

The DNS name consists of one set part, which is based on the order designation, and a variable part, which is determined by the switch position.

The first part of the station name is AXL-F-BK-ETH-.

The set number is added.

This results in the following station names: AXL-F-BK-ETH-051 ... AXL-F-BK-ETH-159.

Behavior during initial startup, after resetting the IP parameters or after resetting to default settings

A valid IP address is not assigned (0.0.0.0) and communication is therefore not possible.

The device transmits continuous DHCP discover messages until a valid IP address has been received.

Each additional startup

Within the first minute, DHCP requests are transmitted with the last valid IP address.

Three cases are possible:

1. The DHCP server accepts the desired address.
⇒ The device starts with this IP address.
2. The DHCP server assigns a new IP address.
⇒ The device applies the new IP parameters.
3. The DHCP server does not respond.
⇒ The device transmits continuous DHCP Discover messages until new IP parameters have been received.

8.4 Static address

Switch position 0A

Behavior during initial startup, after resetting the IP parameters or after resetting to default settings

A valid IP address is not assigned (0.0.0.0) and communication is therefore not possible.

Assign an address initially with another switch position.

Each additional startup

After a voltage reset, the device maintains the IP address which was assigned last.



With this switch position, modifying the IP address via tools or web-based management is not possible.

8.5 Resetting IP parameters

Switch position 0E

The IP parameters stored on the device are reset.

All other settings made on the device are retained.

- BootP is activated for switch position 00.
- IP address, subnet mask: 0.0.0.0

As long as the switch position 0E remains selected, no connection to the device can be established.

IP communication is deactivated (LED NET static yellow).

8.6 Plug and Play mode

Switch position 1A: activate Plug and Play mode

Switch position 1B: deactivate Plug and Play mode

Plug and Play mode enables local bus modules connected in the field to be started up using the bus coupler without a higher-level computer (engineering system).

If Plug and Play mode is enabled, the writing of process data is rejected. Read access to process data is possible.

If Plug and Play mode is disabled, the bus is only started up if the configuration of the connected bus matches the saved configuration.

See also section "Startup behavior of the bus coupler".

8.7 Resetting to the default settings

Switch position 12C

All settings are reset to default settings, including IP parameters.



The device is ready for operation after powering up, as soon as the RDY LED lights up green.

A connection to the device however cannot be established in this switch position.

As soon as the RDY LED lights up green, a new switch position can be selected on the rotary encoding switch and the device can be restarted.



Alternatively, the default setting can also be restored via the reset button (see "Reset button").

8.8 Reserved/invalid switch position

The device starts with the previous settings, e.g., with the settings that were valid before the device was restarted.

An invalid switch position is indicated by the RDY LED (red on).

9 Local status and diagnostic indicators

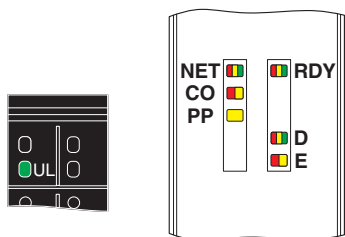


Figure 5 Local status and diagnostic indicators

Designation	Color	Meaning	State	Description
UL	Green	U _{Logic}	ON	Communications power supply present.
			OFF	Communications power supply not present.
NET	Green/ yellow/ red	Network status	Green ON	At least one connection has been established to the device.
			Green flashing	A connection can be established to the device.
			Yellow ON	IP configuration (IP address) is invalid (0.0.0.0).
			Yellow flashing	BootP requests or DHCP requests/discover messages are being transmitted.
			Red ON	Network error; the process data watchdog was activated, the substitute value behavior of the outputs is performed.
			Red flashing	An IP address conflict has occurred during static configuration via rotary coding switches (IP address assigned twice).
			OFF	Device is not ready for operation.
CO	Yellow/ red	Configuration	Yellow ON	Parameterization of the I/O modules failed.
			Red ON	The active configuration of the local bus differs from the saved configuration.
			OFF	The active configuration of the local bus matches the saved configuration.
PP	Yellow	Plug and Play mode	ON	Plug and Play mode is activated.
			OFF	Plug and Play mode is deactivated.
RDY	Green/ yellow/ red	Ready	Green ON	Device is ready for operation.
			Flashing green/yellow	Communications power undervoltage or surge voltage Overtemperature
			Yellow ON	Firmware/bus coupler is booting
			Yellow flashing	Firmware update is being performed.
			Flashing yellow/red	Firmware update has failed.
			Red flashing	Faulty firmware
			Red ON	Rotary encoding switches are set to an invalid/reserved position.
			OFF	Device is not ready for operation.

Designation	Color	Meaning	State	Description
D	Red/ yellow/ green	Diagnostics of local bus communication		
		Run	Green ON	The station is ready for operation, communication within the station is OK. All data is valid. There are no faults.
		Active	Green flashing	The station is ready for operation, communication within the station is OK. The data is not valid. Valid data from the controller/higher-level network not available. There is no fault in the module.
		Ready	Yellow ON	The station is ready for operation, no data exchange taking place.
			Yellow flashing	Access from Startup+ in I/O check mode
			Flashing yellow/red	Local bus error during active I/O check
			Red flashing	Local bus error on startup
				Possible causes:
				Configuration cannot be generated, information is missing from a device
				Chip version of a device is <V1.1
				The desired and actual configuration are different
		No local bus device connected		
		The maximum number of local bus devices is exceeded.		
	Red ON	The station is ready for operation but has lost connection to at least one device.		
		Possible causes:		
		Communication error		
		Local bus device has been removed or configured device is missing.		
		Reset at a local bus device		
		Serious device error at a local bus device (local bus device can no longer be reached)		
	Power down	OFF	Device in (power) reset.	
E	Yellow/ red	Error	Yellow ON	I/O warning at a local bus device
			Red ON	I/O error at a local bus device
			OFF	No I/O messages present.
LNK 1/2	Green	Link port 1/2	ON	Connection via Ethernet to a module via port 1/2 established
			OFF	No connection established via port 1/2
ACT 1/2	Yellow	Activity port 1/2	ON	Transmission or reception of Ethernet telegrams at port 1/2
			OFF	No transmission or reception of Ethernet telegrams at port 1/2



If your station only contains input modules, please write "0" to register 9000 at least once in order to ensure that the process data is valid. The D LED on the bus coupler and the local bus devices then switches from flashing green to steady green.

10 Reset button

The reset button is located beneath the top marking label on the bus coupler.

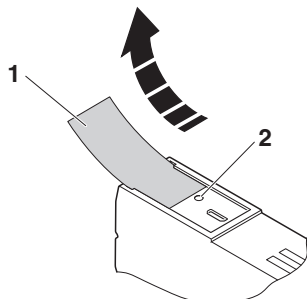


Figure 6 Reset button

- 1 Labeling field
- 2 Reset button

The reset button has two functions:

- Restarting the bus coupler
- Resetting of the default settings

10.1 Restarting the bus coupler

The bus coupler is restarted when the button is pressed during operation.

The outputs of the station are set to the parameterized substitute values.

The process image of the inputs is not re-read.

10.2 Restoring the default settings

The bus coupler is supplied with the following default settings:

Password	private
IP settings	
IP address	0.0.0.0
Subnet mask	0.0.0.0
Default gateway	0.0.0.0
BootP	activated
Firmware update	
Firmware update on next restart	deactivated
TFTP server IP address	172.16.40.201
Name of firmware update file	c2688459.fw
System identification	
Name of device	AXL F BK ETH
Description	Ethernet bus terminal
Location	unknown
Contact	unknown
Process data monitoring	
Process data watchdog timeout	0 (deactivated)
Plug and Play mode	activated

If you wish to restore the default settings, proceed as follows:

- Disconnect the power to the module.
- Press and hold the reset button.
- Switch on the power.

The LEDs indicate the initialization phase:

LED	State	Meaning
RDY	OFF	Starting firmware
RDY	Yellow ON	Initializing firmware
RDY	Green	Initialization complete

- When the RDY LED lights up green, release the button. The default settings are restored.

11 Service interface

The service interface is located beneath the top marking field on the bus coupler.

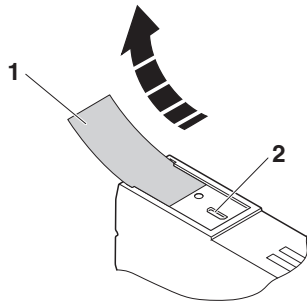


Figure 7 Service interface

- 1 Labeling field
- 2 Service interface

You can connect the bus coupler to a PC on which the Startup+ startup/diagnostic tool is running via USB using the service interface.

Startup+ offers the following functions:

- Parameterization of the station I/O modules
- I/O check
- Diagnostics



For detailed information on Startup+, please refer to the UM QS EN STARTUP+ user manual.

12 Startup behavior of the bus coupler

12.1 Plug and Play mode

Plug and Play mode active

The bus coupler supports Plug and Play mode.

Plug and Play mode enables local bus modules connected in the field to be started up using the bus coupler without a higher-level computer (engineering system).

The Plug and Play mode status (active or inactive) is stored retentively on the bus coupler. The current mode is displayed via the PP LED.

In Plug and Play mode, the connected local bus modules are detected and their function checked.

If this physical configuration is ready to operate, it is started, however writing outputs is not enabled.

To enable writing outputs, Plug and Play mode must be deactivated. The deactivation is to be saved at the same time as saving the signal, active configuration, and reference configuration.

Plug and Play mode inactive

When Plug and Play mode is deactivated, the reference configuration is compared to the physical configuration. If they are the same, the bus coupler is set to the RUN state on the first write access.

If the reference configuration and the physical configuration differ, the CO LED lights up red and process data exchange is no longer possible for safety reasons.

In order to operate the bus despite this, you have the following two options:

1. Restore the original configuration so that the reference configuration and the physical configuration are the same again.
2. Activate Plug and Play mode and restart the bus coupler so that the active physical configuration is accepted as the reference configuration.

12.2 Startup parameterization

There are Axioline F modules that can be parameterized (e.g., measuring ranges, substitute value behavior in the event of a bus error).

These modules can be parameterized via Startup+ or via the PDI channel (see also "Access to PDI objects").

The parameterization is stored retentively on the I/O modules, which is why this information only has to be written once on system startup.

When Plug and Play mode is deactivated, the bus coupler checks the parameterization of the I/O modules as well as the bus configuration. After the bus configuration has been changed (e.g., module replacement), the bus coupler prevents process data from being written, bit 3 is set in the status register (7996), and the LED CO lights up yellow. Modify the parameterization as appropriate and acknowledge this with code 0008_{hex} in the command register (2006). The bus coupler will then enable the output of process data.

13 Monitoring

Ethernet communication is monitored by a process data watchdog.

The following actions are monitored:

- Client application
- Ethernet connection
- Process data exchange

If the timeout period expires for the activated process data watchdog, OUT process data is blocked. The parameterized substitute value behavior of I/O modules is performed. The error is indicated by the NET LED (red on).

In this state (Net Fail), OUT process data can continue to be updated by the application. Following a Net Fail reset, substitute values are then replaced by the latest process data.



NOTE: In the event of a connection abort, outputs retain their last state

The process data watchdog is deactivated by default.

Activate the process data watchdog before starting up an application.

Function of the process data watchdog

If station outputs are set, the controlling process must be able to access the station.

In the event of an error, e.g., network line interrupted or function error in the controlling process, the bus coupler can respond appropriately via the process data watchdog.

When activating the process data watchdog, it is started by the first write process and the next write process is expected within the timeout period. During error-free operation, the write process is performed during the timeout period and the watchdog is restarted (triggered).



Reading calls do not trigger the process data watchdog.

Net fail

If there is no triggering during the timeout period, an error occurred. Two responses follow:

- All outputs are set to the configured substitute value.
- The Net Fail signal is set (NET LED is red and bit 1 in status register 7996 is set).

For safety reasons, the user cannot stop the watchdog once it has been activated.

If the user terminates the controlling application, there is no watchdog triggering; when the timeout period elapses, the Net Fail signal is set and the parameterized substitute value behavior is executed. After the watchdog has performed its task, the outputs are only enabled again after acknowledgment.

Acknowledge error message

To reset the error, it must be acknowledged.

The following options are available:

- Web-based management
- Modbus register 2006



When the error is acknowledged, the watchdog is restarted. This means that it must be triggered during the timeout period, otherwise an error is detected again.

Configuring the process data watchdog

- To activate the watchdog, specify the desired timeout value in the range between 200 ms and 65000 ms.
- To deactivate the watchdog, specify the value 0.

You have the following options for changing the timeout period:

- Web-based management
- Modbus register 2000

14 Monitoring of communications power U_L (UL-Monitor)

A monitoring function monitors the supply of communications power U_L . If the value is outside the specified voltage range, this is indicated in status register 7996.

Undervoltage	
Bit 12	Set as long as the communications power is too low.
Bit 14	Still set after a brief undervoltage.

Surge voltage	
Bit 13	Set as long as the communications power is too high.
Bit 15	Still set after a brief surge voltage.

Very brief voltage disturbances are also registered with bits 14 and 15. Both bits remain set until the UL-Monitor has been acknowledged with code 0080_{hex} via command register 2006.

15 Substitute value behavior

If Ethernet communication fails or an error occurs in the local bus, all outputs of the station are set to the substitute values previously parameterized on the module.

In order to do this, Plug and Play mode must be deactivated and the process data watchdog must be activated.



For the possible substitute values of a module, please refer to the relevant module-specific data sheet.

16 Modbus protocols and registers

The bus coupler supports a Modbus/TCP server and a Modbus/UDP server.

The Modbus protocol can be used in both in a connection-related (TCP) and wireless (UDP) manner.

16.1 Modbus connections

The bus coupler supports up to eight Modbus/TCP connections simultaneously.

The connection can access different addresses simultaneously.

Since eight connections are supported, a connection can quickly be restored. This means that the client can successfully restore an interrupted Modbus connection.

The UDP server is wireless.



In applications with high demands on the response time, it is recommended that Modbus/UDP is used to access the process data. In this case, the runtime in the bus coupler is negligible (just a few μ s).

16.2 Modbus conformance classes

The bus coupler supports Modbus conformance class 0.

16.3 Modbus function codes

The following function codes are supported:

Function code	Function	Description
FC3	Read holding registers	Read words from outputs and inputs
FC4	Read input registers	Read words from inputs
FC6	Write single registers	Write word for output data
FC16	Write multiple registers	Write several output words
FC23	Read/write multiple registers	Read and write several process data for inputs and outputs

16.4 Modbus register

Modbus register table (16-bit word)	Access	Function	Access with function code
Local bus			
1400	R	Number of local bus devices/entries	FC3, FC4
1401 ... 1649	R	Device type of local bus devices (4 registers per device)	
1700	R	Number of local bus devices/entries	
1701 ... 1763	R	Number of process data registers (8xxx or 9xxx) for local bus devices (1 register per device)	
1800	R	Number of local bus devices/entries	
1801 ... 1989	R	I/O diagnostics of local bus devices (3 registers per device)	
Special register			
2000	R/W	Timeout for process data watchdog	FC3, FC4, FC6, FC16
2006	W	Command register	FC6, FC16
2075 ... 2089	R	Electronic rating plate	FC3, FC4
PDI			
6010 ... 6089	R/W	Tunnel register for PDI requests (channel 1 ... 8)	FC3, FC4, FC6, FC16, FC23
6210 ... 6289	R	Tunnel register for PDI confirmations (channel 1 ... 8)	FC3, FC4, FC23
Diagnostics			
7996	R	Status register	FC3, FC4, FC23
7997	R	Diagnostic status register	
7998	R	Diagnostic parameter register 1	
7999	R	Diagnostic parameter register 2	
Process data			
8000 ... 8999	R	Input process data	FC3, FC4, FC6, FC16, FC23
9000 ... 9999	R/W	Output process data	

R Read
W Write



In write access to the Modbus/TCP clients on the "Read only" register, the data is not transferred and is answered with exception code 02.

16.5 Figure showing process data on Modbus registers (8000 ... 8999, 9000 ... 9999)

The process data of the modules connected to the bus coupler are mapped in one register range. The registers are assigned in the same way for all function codes, they are not differentiated according to the data types implicated in the function codes (e.g. Modbus register and Modbus input register).

For address assignment, all IN process data of the connected modules is mapped according to the physical bus configuration from Modbus register 8000 (up to 8999, maximum).

All OUT process data is mapped according to the physical bus configuration from Modbus register 9000 (up to 9999, maximum).

A number of registers is assigned to each module according to the data width. Each register comprises 16 bits. A module with a data width of 8 bits is mapped on one register, a module with 32 bits is mapped on two registers.

No differentiation is made between digital and analog modules.



The current mapping of process data to the Modbus register for the I/O modules connected to the bus coupler can be viewed via the web-based management for the bus coupler under “Modbus/TCP (UDP), Modbus I/O table”.

Example: figure of process data on the Modbus register

Example of a station						
AXL F BK ETH	AXL F DI16/1 1H	AXL AO 8	AXL F DI32/1 2H	AXL F DO8/ 2-2A 2H	AXL AI 8	AXL CNT 2/ INC 2

	Input process data			Output process data		
AXL F DI16/1 1H	8000	Byte 0	Byte 1	9000	-	-
		Channel 8 ... 1	Channel 16 ... 9			
AXL AO 8	8001	IN1		9001	OUT1	
	8002	IN2		9002	OUT2	
	
	8008	IN8		9008	...	
AXL F DI32/1 2H	8009	Byte 0	Byte 1	9009	-	-
		Channel 8 ... 1	Channel 16 ... 9			
	8010	Byte 2	Byte 3	9010	-	-
		Channel 24 ... 17	Channel 32 ... 25			
AXL F DO8/ 2-2A 2H	8011	-	-	9011	-	Byte 0 Channel 8 ... 1
AXL AI 8	8012	IN1		9012	-	-
	
	8019	IN8		9019	-	-
AXL CNT 2/ INC 2	8020	Word 0		9020	Word 0	
	
	8033	Word 13		9033	Word 13	
	...	Reserved		...	Reserved	
	8999	Reserved		9999	Reserved	



For further information on the assignment of bytes and words, please refer to the module-specific documentation (data sheet, user manual).



Unused registers, e.g., in the case of dedicated input or output modules, are marked with “-” in the table. There is no write access to these registers, read access always returns the value 0.

16.6 Register tables for the bus configuration frame (1401 ... 1649 / 1701 ... 1763)

Both register tables map the currently loaded bus configuration frame of the connected devices.

When Plug and Play mode is activated, the bus configuration frame that is physically present is sent.

When Plug and Play mode is deactivated, the stored reference configuration is sent.

Any differences between the stored reference configuration and the bus configuration that is physically present are indicated by diagnostic registers 7997 to 7999. The register tables can be used to monitor the bus configuration in the user application. The entire table can always be read, the "Number of entries" register indicates how many entries there actually are.

Register table for DeviceType (1401 ... 1649)

The DeviceType is a manufacturer-specific module identification. It can be used to replace and operate modules of the same type within a bus configuration. For example, a 16-channel output module with screw connection technology can be replaced by a module with spring-cage connection technology even though it does not have the same order number. On the other hand, a different functionality (e.g., 32 channels instead of 16) is indicated by a different DeviceType.

In this case the DeviceType acts as a uniquely assigned ID, but the module functionality cannot be directly derived from it (e.g., by evaluating a specific bit). Should this be necessary, use the relevant PDI objects for this (see module-specific data sheet).

Structure of the register table

Index	Contents	
1400	Number of entries	1 ... 63
1401	DeviceType	1st device
1402		
1403		
1404		
...
1646	DeviceType	63rd device
1647		
1648		
1649		

Register table for the number of process data registers for local bus devices (1701 ... 1763)

This register table indicates the number of registers in the process data register tables occupied by each device (8000...8999, 9000...9999). This information can be used to dynamically adapt the user application to changes in the bus configuration. The offset for the relevant device in the process data register table can therefore be calculated in the user application.

Structure of the register table

Index	Contents	
1700	Number of entries	1 ... 63
1701	Number of process data registers	1st device
...
1763	Number of process data registers	63rd device

16.7 Register for I/O diagnostics (1800 ... 1989)

The register table shows the error number, priority, channel/group/module, and error code information contained in diagnostic object 0018_{hex} for every device.

For every device, the first message is displayed with the highest priority.

You can view the entire table at any time.



This table should not be read cyclically. Bits 0 and 1 in diagnostic status register 7997 indicate that an error message is present. This register can be read cyclically together with the process data. If either of these bits is set, read the registers for I/O diagnostics acyclically.

Modbus register	Device	High byte	Low byte
1800	1 ... 63	Number of valid entries (number of devices)	
1801	1.	Error number	
1802		Priority	Channel/group/module
1803		Error code	
...
1987	63rd	Error number	
1988		Priority	Channel/group/module
1989		Error code	



For details of the contents of the fields for error number, priority, channel/group/module, and error code from PDI object 0018_{hex}, please refer to the module-specific documentation (data sheet, user manual).

16.8 Command register (2006)

The bus coupler behavior can be controlled via the command register. Only write access is enabled for the register. In the event of invalid requests (codes that are not supported), an error message is returned.

Code (hex)	Meaning
0000	No action
0001	Switch on Plug and Play mode applied only following restart
0002	Switch off Plug and Play mode applied immediately
0008	Acknowledge startup parameterization applied immediately, parameterization is permanently acknowledged, i.e. successful restart does not result in another message
0010	Set Net Fail
0020	Acknowledge Net Fail
0080	Reset UL-Monitor (see "Monitoring of communications power U _L ")
0400	Activate hardware acceleration for Modbus/UDP applied only following restart
0800	Deactivate hardware acceleration for Modbus/UDP applied only following restart
8100	Deactivate web-based management
8101	Activate web-based management
8F00	Restart bus coupler
8F01	Read parameter file again (config.svc)



When commands 8F00_{hex} and 8F01_{hex} are being executed, the substitute value behavior of the outputs is active.



The hardware acceleration for Modbus/UDP shortens the processing time of Modbus/UDP requests. It is enabled by default. In the event of compatibility problems, deactivate the hardware acceleration with code 0800_{hex} in the command register and perform a restart. This setting is stored retentively.

16.9 Electronic rating plate (2075 ... 2089)

The electronic rating plate contains the basic information on the module.

Only read access is enabled to the registers.

Modbus register	Function	Maximum length of the register
2075	Name of device	125
2076	Description	125
2077	Location	125
2078	Contact	125
2079	Boot loader version	4
2080	Firmware version	6
2081	Firmware status	4
2082	Hardware version	2
2083	Firmware date	4
2084	Hardware date	4
2085	Serial number	10
2086	MAC address	9
2087	Order No.	10
2088	Order designation	15
2089	Vendor name	10

16.10 Status register (7996)

The status register indicates the status of the bus coupler. Each bit has a different meaning. Several bits can be set simultaneously. No bit is set in normal operation without errors.

Bit	Code (hex)	Meaning
0	0001	1 An error occurred in the local bus (e.g., a bit in the diagnostic register is set)
		0 No error
1	0002	1 A Net Fail occurred, active substitute values
		0 No error
2	0004	1 Active bus configuration does not match the reference configuration
		0 No error
3	0008	1 Startup parameterization is faulty
		0 No error
4	0010	1 Plug and Play mode is activated.
		0 Plug and Play mode is deactivated.
5	0020	1 Startup not completed
		0 Startup completed
6	0040	Reserved
7	0080	Reserved
8	0100	1 Overtemperature of the power supply
		0 Normal temperature
9	0200	1 Overtemperature of the logic PCB
		0 Normal temperature
10	0400	Reserved
11	0800	Reserved
12	1000	1 U _L -Monitor: communications power too low
		0 Voltage OK
13	2000	1 U _L -Monitor: communications power too high
		0 Voltage OK
14	4000	1 U _L -Monitor: communications power too low (acknowledge code 0080 _{hex} via register 2006)
		0 No error stored
15	8000	1 UL-Monitor: communications power too high (acknowledge code 0080 _{hex} via register 2006)
		0 No error stored

16.11 Diagnostic status register (7997)



For the meaning of this register, please refer to the AXL F SYS DIAG user manual.

16.12 Diagnostic parameter register (7998, 7999)



For the meaning of this register, please refer to the AXL F SYS DIAG user manual.

17 Access to PDI objects

PDI stands for parameter, diagnostics, and information. The PDI channel is used in addition to the process data channel in the Axioline F system for the demand-oriented, acyclic transmission of parameter and diagnostic data as well as other information. Each Axioline F device has this channel and can use it independently of the process data.

Objects created in the Axioline F device can be accessed via the PDI channel using services. These objects can be used, for example, to set measuring ranges, to specify the

substitute value behavior of outputs in the event of a bus error or to read diagnostic details.

The objects are addressed via an object index (e.g., 0018_{hex}: DiagState). For detailed information on the objects present on a module, please refer to the module-specific documentation.

You can access the PDI channel via Modbus/TCP as well as via Modbus/UDP. To this end, register sets are used, with which a tunnel method can be implemented. This method is explained below.

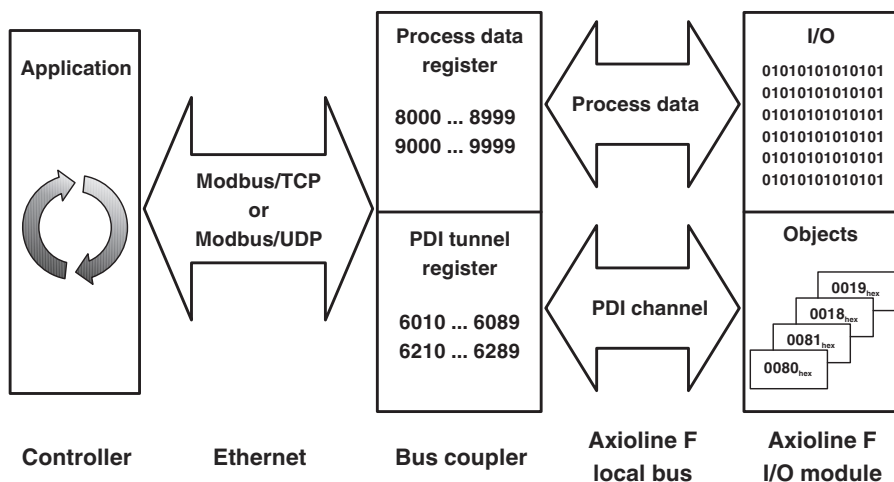


Figure 8 Access to PDI objects

17.1 Functional description

Eight Modbus PDI channels are provided, which are to be assigned to the Modbus masters in the application without causing conflict.

**NOTE: Data loss**

Use an appropriate channel assignment to ensure that one channel is only ever used by one master.

Each Modbus PDI channel features a request table and confirmation table.

The data necessary for a PDI request (PDI read or PDI write) is written to the request table by means of Modbus write access (FC16/FC23).

Subsequently, the PDI confirmation is read out of the confirmation table via Modbus read access (FC3, FC4, FC23).

You can use the PDI service with Modbus function code FC23 very easily; access to the request and the confirmation table is possible with just one access.

The confirmation table can only be accessed as read-only, whereas both read and write access are enabled for the request table. In the case of read-only access to the request table, the most recently written data is output (not the PDI confirmation).

The 6x5 data registers (e.g., 6015, 6215) have a “virtual length”. This means that data can be transmitted, as long as the maximum length of the Modbus telegram is not exceeded. The data is mapped internally onto the following registers (not directly), thereby ensuring a higher packing density of the PDI channels. Use a Modbus function code for access, which allow access to multiple registers in one request (FC3, FC16 or FC23).

As such, the register, e.g., 6215 functions as a start address. Always use 125 as the register number when read-accessing a PDI object (PDI read). In the case of write access to a PDI object (PDI write), use the corresponding length. Please see the following examples.

As such, read access to the confirmation table is granted with a specified length. The specified number of registers is always output. If the actual data length is lower (e.g., PDI object is smaller or contains a negative confirmation), all remaining registers are filled with “0000”. The actual length of the PDI object can be found in the field “Number of PDI data bytes”. If the actual length is longer, only the requested data is output.

17.2 Structure of the Modbus PDI communication channels

Modbus PDI communication channel 1						
PDI request			PDI confirmation			
Modbus register	Byte	Meaning	Modbus register	Byte	Positive response	Negative response
6010	0	Command code	6210	0	Message code	Message code
	1			1		
6011	2	Slot	6211	2	Slot	Slot
	3			3		
6012	4	Subslot	6212	4	Subslot	Subslot
	5	Reserved		5	Reserved	Reserved
6013	6	PDI object index	6213	6	PDI object index	PDI object index
	7			7		
6014	8	Subindex	6214	8	Subindex	Subindex
	9	Number of PDI data bytes		9	Number of PDI data bytes	0
6015	10	Data byte 0	6215	10	Error class	Error class
	11	Data byte 1		11	Error code	Error code
6016*	12	Data byte 2	6216*	12	Data byte 0	Additional error code
	13	Data byte 3		13	Data byte 1	
6017*	14	Data byte 4	6217*	14	Data byte 2	
	15	Data byte 5		15	Data byte 3	
...

Slot

Position of the module in the local bus

Subslot

Specify a subslot if you wish to access a submodule (e.g., IO-Link). Not used at present (= 0).

PDI object index

See module-specific data sheet.

PDI object subindex

See module-specific data sheet.

Number of PDI data bytes

For command code

0041_{hex} 0

0042_{hex} Amount of data to be written in bytes

For message code

8041_{hex} Amount of data read in bytes

8042_{hex} 0

Modbus PDI channels and corresponding Modbus registers

Modbus PDI communication channel			
1	2	...	8
PDI request			
6010 ... 6015	6020 ... 6025	...	6080 ... 6085
PDI confirmation			
6210 ... 6215	6220 ... 6225	...	6280 ... 6285

Command code

0041_{hex} Read PDI object

0042_{hex} Write PDI object

Message code

8041_{hex} Response to "Read PDI object"

8042_{hex} Response to "Write PDI object"