



Chipsmall Limited consists of a professional team with an average of over 10 year of expertise in the distribution of electronic components. Based in Hongkong, we have already established firm and mutual-benefit business relationships with customers from,Europe,America and south Asia,supplying obsolete and hard-to-find components to meet their specific needs.

With the principle of “Quality Parts,Customers Priority,Honest Operation,and Considerate Service”,our business mainly focus on the distribution of electronic components. Line cards we deal with include Microchip,ALPS,ROHM,Xilinx,Pulse,ON,Everlight and Freescale. Main products comprise IC,Modules,Potentiometer,IC Socket,Relay,Connector.Our parts cover such applications as commercial,industrial, and automotives areas.

We are looking forward to setting up business relationship with you and hope to provide you with the best service and solution. Let us make a better world for our industry!



## Contact us

Tel: +86-755-8981 8866 Fax: +86-755-8427 6832

Email & Skype: info@chipsmall.com Web: www.chipsmall.com

Address: A1208, Overseas Decoration Building, #122 Zhenhua RD., Futian, Shenzhen, China



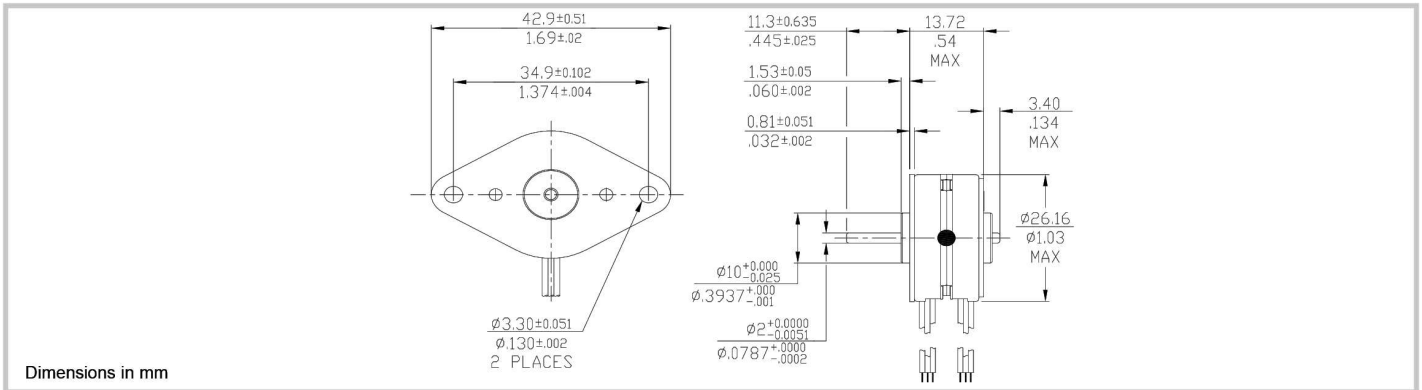
# Can Stack Stepper Motors

**26M024B**

RoHS Compliant

Ø26mm

7.8 mNm



## 26M024B

Electrical Data	26M024B1U Unipolar	26M024B2U Unipolar	26M024B1B Bipolar	26M024B2B Bipolar	
1 Operating Voltage	5	12	5	12	VDC
2 Resistance per Phase, ± 10%	19.6	110.0	19.8	108.0	Ohms
3 Inductance per Phase, typ	4.1	29.9	7.7	52.4	mH
4 Rated Current per Phase *	0.26	0.11	0.25	0.11	A
<b>Coil independent parameters</b>					
5 Holding Torque, MIN *	6.3 (0.9)	6.3 (0.9)	7.8 (1.1)	7.8 (1.1)	mNm (oz-in)
6 Detent Torque, Max		1.34 (0.19)			mNm (oz-in)
7 Rotor Inertia		1.1 (0.00601)			gcm <sup>2</sup> (oz-in-s <sup>2</sup> )
8 Step Angle		15.0			Degree
9 Absolute accuracy 2 ph. On, Full step		± 1			Degree
10 Steps per Revolution		24			
11 Ambient Temp Range (operating)		-20 to +70 (-4 to +158)			°C (°F)
12 Maximum Coil Temperature		130 (266)			°C (°F)
13 Bearing Type		Sintered Bronze Sleeve			
14 Insulation Resistance at 500 VDC		100			Mohms
15 Dielectric Withstanding Voltage		650 for 2 seconds			VAC
16 Weight		34 (1.2)			g (oz)
17 Leadwire		AWG #28, UL1429 (80° C, 150 V)			

All Motor Data Values at 20°C Unless Otherwise Specified

\* Energize at Rated Current, 2 Phase On

