



Chipsmall Limited consists of a professional team with an average of over 10 year of expertise in the distribution of electronic components. Based in Hongkong, we have already established firm and mutual-benefit business relationships with customers from,Europe,America and south Asia,supplying obsolete and hard-to-find components to meet their specific needs.

With the principle of “Quality Parts,Customers Priority,Honest Operation,and Considerate Service”,our business mainly focus on the distribution of electronic components. Line cards we deal with include Microchip,ALPS,ROHM,Xilinx,Pulse,ON,Everlight and Freescale. Main products comprise IC,Modules,Potentiometer,IC Socket,Relay,Connector.Our parts cover such applications as commercial,industrial, and automotives areas.

We are looking forward to setting up business relationship with you and hope to provide you with the best service and solution. Let us make a better world for our industry!



## Contact us

Tel: +86-755-8981 8866 Fax: +86-755-8427 6832

Email & Skype: info@chipsmall.com Web: www.chipsmall.com

Address: A1208, Overseas Decoration Building, #122 Zhenhua RD., Futian, Shenzhen, China

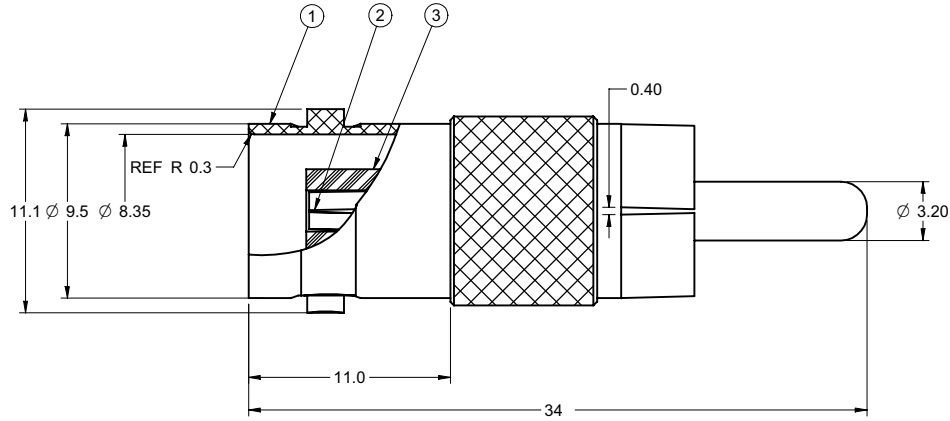
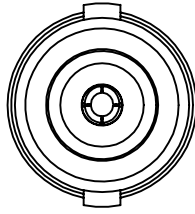


PART NUMBER	ITEM ① BODY	ITEM ② CONTACT	ITEM ③ INSULATOR
27-8110	ZINC NICKEL PLATED	BERYLLIUM Ni/Au PLATED	DELRIN

**受控 CONTROLLED DOCUMENT**

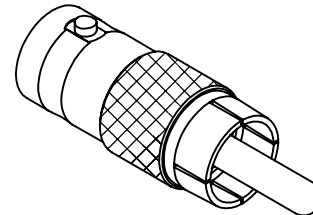
编号 P/N	27-8110	版本 Rev	01	日期 Rel'd Date	May8,09
-----------	---------	-----------	----	------------------	---------

DRAWING NO. 27-8110	
REVISIONS	
01	OFFICIAL RELEASE
04-13-09	G Y T Z U I
<small>Thomas Chow 2009.05 09:23:29 +08'00'</small>	



NOTES:

1. BNC END TECHNICAL DETAIL: REFER TO EMERSON DOCUMENT P/N 27-0000



THIS DRAWING TO BE INTERPRETED  
PER ANSI Y 14.5M - 1994

**COMPANY CONFIDENTIAL**

TOLERANCE UNLESS OTHERWISE SPECIFIED		DRAWN BY GARY.ZHG	DATE 04-13-09
DECIMALS	mm	CHECKED BY BETTY.YU	DATE 04-13-09
X	± 0.5	APPROVED BY THOMAS	DATE 04-13-09
X.X	± 0.2		
X.XX	± 0.1		
ANGLES	± 0.5°	U/M	mm

<b>EMERSON</b> Network Power		<b>Connectivity Solutions</b>	
TITLE ADAPTER,BNC JACK TO RCA JACK			
SHEET 1 OF 1	DRAWING NO. 27-8110	SIZE C	

THIS DRAWING WAS PRODUCED BY COMPUTER,  
DO NOT SCALE DRAWING OR UPDATE MANUALLY.