



Chipsmall Limited consists of a professional team with an average of over 10 year of expertise in the distribution of electronic components. Based in Hongkong, we have already established firm and mutual-benefit business relationships with customers from,Europe,America and south Asia,supplying obsolete and hard-to-find components to meet their specific needs.

With the principle of “Quality Parts,Customers Priority,Honest Operation,and Considerate Service”,our business mainly focus on the distribution of electronic components. Line cards we deal with include Microchip,ALPS,ROHM,Xilinx,Pulse,ON,Everlight and Freescale. Main products comprise IC,Modules,Potentiometer,IC Socket,Relay,Connector.Our parts cover such applications as commercial,industrial, and automotives areas.

We are looking forward to setting up business relationship with you and hope to provide you with the best service and solution. Let us make a better world for our industry!



Contact us

Tel: +86-755-8981 8866 Fax: +86-755-8427 6832

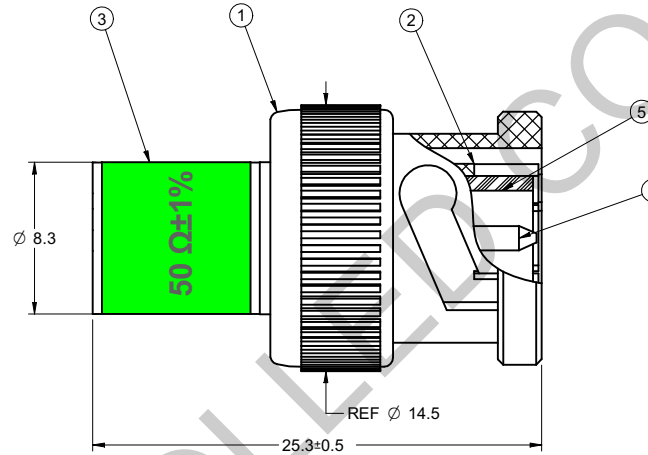
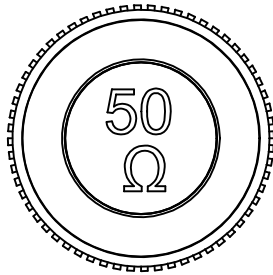
Email & Skype: info@chipsmall.com Web: www.chipsmall.com

Address: A1208, Overseas Decoration Building, #122 Zhenhua RD., Futian, Shenzhen, China



PART NUMBER	ITEM ① NUT	ITEM ② BODY	ITEM ③ LABEL	ITEM ④ CONTACT	ITEM ⑤ INSULATOR
27-9008	ZINC NICKEL PLATED	BRASS NICKEL PLATED	SELF ADHESIVE PE	BRASS GOLD PLATED	DELRIN

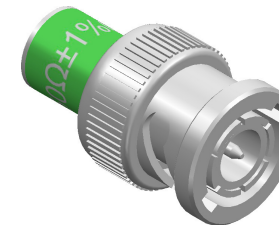
DRAWING NO. 27-9008				
REVISIONS				
01	OFFICIAL RELEASE	2009.09.09 08-18-09		
	L	L	T	H



受控 CONTROLLED DOCUMENT				
编号 P/N	27-9008	版本 Rev	01	日期 Rel'd Date
				SEP 14, 09

NOTES:

1. IMPEDANCE: 50 OHMS NOMINAL
2. FREQUENCY RANGE: 0-1 GHz
3. RECOMMENDED TEMPERATURE RANGE: -55 °C TO +85°C
4. FURTHER TECHNICAL DETAIL: REFER TO EMERSON DOCUMENT P/N 27-0000
5. LABEL: GREEN BACKGROUND GRAY WORDS (50 Ω±1%)



THIS DRAWING TO BE INTERPRETED PER ANSI Y 14.5M - 1994

COMPANY CONFIDENTIAL

TOLERANCE UNLESS OTHERWISE SPECIFIED		DRAWN BY LINDA.WU	DATE 08-18-09
DECIMALS	mm	CHECKED BY LINDA.WU	DATE 08-18-09
X	± 0.5	APPROVED BY THOMAS	DATE 08-18-09
X.X	± 0.2		
X.XX	± 0.1		
ANGLES	± 0.5°	U/M mm	

	
TITLE CP88T50 BNC(M) 50TERM, NO CHAIN	
SHEET 1 OF 1	DRAWING NO. 27-9008
SIZE C	

THIS DRAWING WAS PRODUCED BY COMPUTER, DO NOT SCALE DRAWING OR UPDATE MANUALLY.

SHEET 1 OF 1	DRAWING NO. 27-9008	SIZE C
-----------------	------------------------	-----------