



Chipsmall Limited consists of a professional team with an average of over 10 year of expertise in the distribution of electronic components. Based in Hongkong, we have already established firm and mutual-benefit business relationships with customers from,Europe,America and south Asia,supplying obsolete and hard-to-find components to meet their specific needs.

With the principle of “Quality Parts,Customers Priority,Honest Operation,and Considerate Service”,our business mainly focus on the distribution of electronic components. Line cards we deal with include Microchip,ALPS,ROHM,Xilinx,Pulse,ON,Everlight and Freescale. Main products comprise IC,Modules,Potentiometer,IC Socket,Relay,Connector.Our parts cover such applications as commercial,industrial, and automotives areas.

We are looking forward to setting up business relationship with you and hope to provide you with the best service and solution. Let us make a better world for our industry!



## Contact us

Tel: +86-755-8981 8866 Fax: +86-755-8427 6832

Email & Skype: info@chipsmall.com Web: www.chipsmall.com

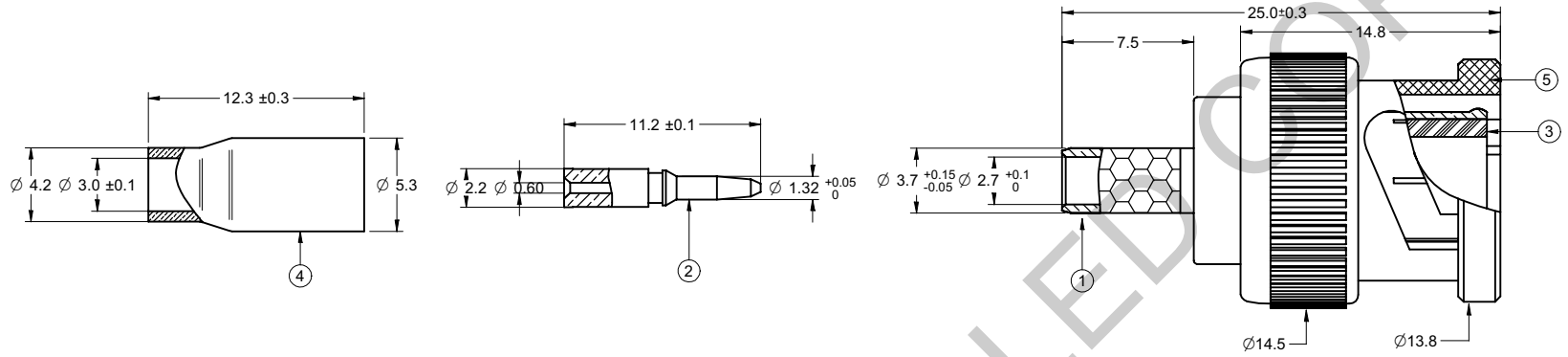
Address: A1208, Overseas Decoration Building, #122 Zhenhua RD., Futian, Shenzhen, China



PART NUMBER	ITEM ① BODY	ITEM ② CONTACT	ITEM ③ INSULATOR	ITEM ④ CRIMP SLEEVE	ITEM ⑤ CUPLING NUT
27-9105	BRASS NICKEL PLATED	BRASS GOLD PLATED	DELTRIN	BRASS NICKEL PLATED	ZINC NICKEL PLATED

受控 CONTROLLED DOCUMENT					
编号 P/N	27-9105	版本 Rev	01	日期 Rel'd Date	May8,09

DRAWING NO. 27-9105					
REVISIONS					
OFFICIAL RELEASE					
01	04-05-09	T	W	T	Thomas Chow 2009.05.04 14:41:52 +08'00'



- NOTES:
1. IMPEDANCE: 50 OHMS NOMINAL
  2. FREQUENCY RANGE: 0-4 GHz
  3. CABLE ACCEPTABILITY: RG174, RG187, RG188, RG316
  4. CABLE RETENTION: 20lbs MIN
  5. RECOMMENDED TEMPERATURE RANGE: -55 °C TO +85 °C
  6. FURTHER TECHNICAL DETAIL: REFER TO EMERSON DOCUMENT P/N 27-0000

THIS DRAWING TO BE INTERPRETED  
PER ANSI Y 14.5M - 1994  
**COMPANY CONFIDENTIAL**

TOLERANCE UNLESS OTHERWISE SPECIFIED		DRAWN BY TERRY.W	DATE 04-05-09
DECIMALS	mm	CHECKED BY TERRY.W	DATE 04-05-09
X	± 0.5	APPROVED BY THOMAS	DATE 04-05-09
X.X	± 0.2	U/M	mm
X.XX	± 0.05		
ANGLES	± 0.5°		

TITLE BNC MALE CRIMP FOR RG174/U		
SHEET 1 OF 1	DRAWING NO. 27-9105	SIZE C

THIS DRAWING WAS PRODUCED BY COMPUTER,  
DO NOT SCALE DRAWING OR UPDATE MANUALLY.