



Chipsmall Limited consists of a professional team with an average of over 10 year of expertise in the distribution of electronic components. Based in Hongkong, we have already established firm and mutual-benefit business relationships with customers from,Europe,America and south Asia,supplying obsolete and hard-to-find components to meet their specific needs.

With the principle of “Quality Parts,Customers Priority,Honest Operation,and Considerate Service”,our business mainly focus on the distribution of electronic components. Line cards we deal with include Microchip,ALPS,ROHM,Xilinx,Pulse,ON,Everlight and Freescale. Main products comprise IC,Modules,Potentiometer,IC Socket,Relay,Connector.Our parts cover such applications as commercial,industrial, and automotives areas.

We are looking forward to setting up business relationship with you and hope to provide you with the best service and solution. Let us make a better world for our industry!



Contact us

Tel: +86-755-8981 8866 Fax: +86-755-8427 6832

Email & Skype: info@chipsmall.com Web: www.chipsmall.com

Address: A1208, Overseas Decoration Building, #122 Zhenhua RD., Futian, Shenzhen, China



I/O module - AXL F DI8/2 110/220DC 1F - 2700684

Please be informed that the data shown in this PDF Document is generated from our Online Catalog. Please find the complete data in the user's documentation. Our General Terms of Use for Downloads are valid (<http://phoenixcontact.com/download>)



Axioline F, Digital input module, Digital inputs: 8, 110 V DC / 220 V DC, connection method: 2-wire, corresponds to standard IEC 61850-3, transmission speed in the local bus: 100 Mbps, including bus base module and Axioline F connectors

Product Description

The module is designed for use within an Axioline F station. It is used to acquire digital DC voltage signals in the low-voltage range. You can use low-voltage and extra-low voltage modules directly next to each other within an Axioline F station.


Why buy this product

- ✔ 8 digital inputs according to EN 61131-2 type 1
- ✔ Connection of sensors in 2-wire technology
- ✔ 110 V DC / 220 V DC, 1.5 mA
- ✔ Filter time of < 1 ms
- ✔ Inputs are reverse polarity protected
- ✔ Safe isolation according to EN 61010-2-201/IEC 61010-2-201
- ✔ Device rating plate stored
- ✔ Diagnostic and status indicators
- ✔ Meets the requirements of IEC 61850-3 and IEEE 1613



IEC 61850-3

Key Commercial Data

Packing unit	1 STK
GTIN	 4 046356 916448
GTIN	4046356916448

Technical data

Dimensions

Width	53.6 mm
Height	126.1 mm
Depth	54 mm
Note on dimensions	The depth is valid when a TH 35-7,5 DIN rail is used (according to EN 60715).

I/O module - AXL F DI8/2 110/220DC 1F - 2700684

Technical data

Ambient conditions

Ambient temperature (operation)	-25 °C ... 60 °C (Mounting position: wall mounting on horizontal DIN rail, input voltage: max. 264 V)
	-25 °C ... 55 °C (Mounting position: any)
Ambient temperature (storage/transport)	-40 °C ... 85 °C
Permissible humidity (operation)	5 % ... 95 % (non-condensing)
Permissible humidity (storage/transport)	5 % ... 95 % (non-condensing)
Air pressure (operation)	70 kPa ... 106 kPa (up to 3000 m above sea level)
Air pressure (storage/transport)	70 kPa ... 106 kPa (up to 3000 m above sea level)
Degree of protection	IP20

Connection data

Designation	Axiline F connector
Connection method	Push-in connection
Note on the connection method	Please observe the information provided on conductor cross sections in the "Axiline F: system and installation" user manual.
Conductor cross section solid min.	0.2 mm ²
Conductor cross section solid max.	1.5 mm ²
Conductor cross section flexible min.	0.2 mm ²
Conductor cross section flexible max.	1.5 mm ²
Conductor cross section AWG min.	24
Conductor cross section AWG max.	16
Stripping length	8 mm

General

Mounting type	DIN rail
Net weight	173 g
Note on weight specifications	with connectors and bus base module
Degree of pollution	2

Interfaces

Designation	Axiline F local bus
No. of channels	2
Connection method	Bus base module
Transmission speed	100 Mbps

Axiline potentials

Designation	Axiline F local bus supply (U _{Bus})
Supply voltage	5 V DC (via bus base module)
Current consumption	max. 120 mA
Power consumption	max. 600 mW
Designation	Supply for digital input modules (U _i)
Protection	max. 8 A ()

Digital inputs

I/O module - AXL F DI8/2 110/220DC 1F - 2700684

Technical data

Digital inputs

Input name	Digital inputs
Description of the input	according to EN 61131-2 type 1
Connection method	Push-in connection
Connection technology	2-wire
Number of inputs	8
Type of protection	Polarity reversal protection of the inputs
Input filter time	< 1 ms
Input voltage	110 V DC (Nominal voltage)
	220 V DC (Nominal voltage)
	max. 300 V DC
Input voltage range "0" signal	-41 V DC ... 41 V DC
Input voltage range "1" signal	88 V DC ... 300 V DC
Input voltage range	-300 V DC ... 300 V DC
Nominal input current at U _{IN}	1.5 mA

Electrical isolation

Test section	I/Os / logic 4 kV Rated surge voltage (safe isolation according to EN 61010-2-201/IEC 61010-2-201)
	I/Os / logic 5 kV Pulse test voltage according to EN 61850/IEC 61850
	I/O / functional earth ground 4 kV Rated surge voltage (safe isolation according to EN 61010-2-201/IEC 61010-2-201)
	I/O / functional earth ground 5 kV Pulse test voltage according to EN 61850/IEC 61850
	I/O / I/O (adjacent connectors) 2.5 kV Pulse test voltage according to EN 61850/IEC 61850
	Logic / functional earth ground 1 kV Pulse test voltage according to EN 61850/IEC 61850

Standards and Regulations

Mechanical tests	Vibration resistance in acc. with EN 60068-2-6/IEC 60068-2-6 5g
	Shock in acc. with EN 60068-2-27/IEC 60068-2-27 30g
	Continuous shock according to EN 60068-2-27/IEC 60068-2-27 10g
Developed according to standard	IEC 61850-3 Electrostatic discharge (ESD) EN 61000-4-2/ IEC 61000-4-2 Criterion A; 8 kV contact discharge; 8 kV air discharge
	IEC 61850-3 Electromagnetic fields EN 61000-4-3/IEC 61000-4-3 Criterion A, 20 V/m up to 1 GHz, 10 V/m up to 3 GHz
	IEC 61850-3 Fast transients (burst) EN 61000-4-4/IEC 61000-4-4 Criterion A, 4 kV
	IEC 61850-3 Transient overvoltage (surge) EN 61000-4-5/ IEC 61000-4-5 Criterion A, ±2 kV (symmetrical), ±4 kV (asymmetrical)
	IEC 61850-3 Conducted interference EN 61000-4-6/IEC 61000-4-6 Criterion A; Test voltage 10 V
	IEC 61850-3 Immunity to magnetic fields, EN 61000-4-8/IEC 61000-4-8 300 A/m continuous, 1000 A/m for 1 s
	IEC 61850-3 Immunity to attenuated oscillating magnetic fields, EN 61000-4-10/IEC 61000-4-10 100 A/m

I/O module - AXL F DI8/2 110/220DC 1F - 2700684

Technical data

Standards and Regulations

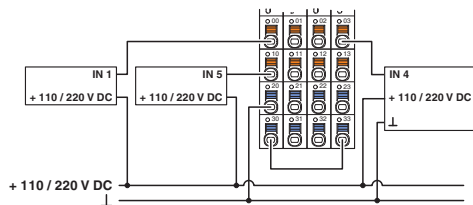
	IEC 61850-3 Immunity to conducted common-mode interference, EN 61000-4-16/IEC 61000-4-16 30 V continuous, 300 V for 1 s
	IEC 61850-3 Attenuated oscillating waves, EN 61000-4-18/ IEC 61000-4-18 1 kV symmetrical, 2.5 kV asymmetrical
	IEC 61850-3 Radio interference properties EN 55022 Class B

Environmental Product Compliance

China RoHS	Environmentally friendly use period: unlimited = EFUP-e
	No hazardous substances above threshold values

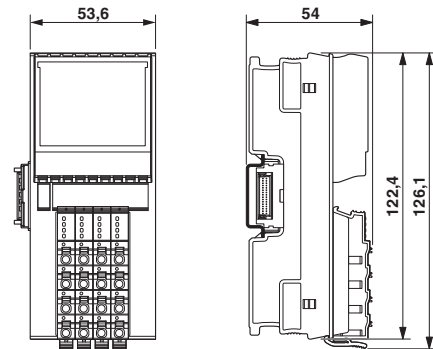
Drawings

Connection diagram

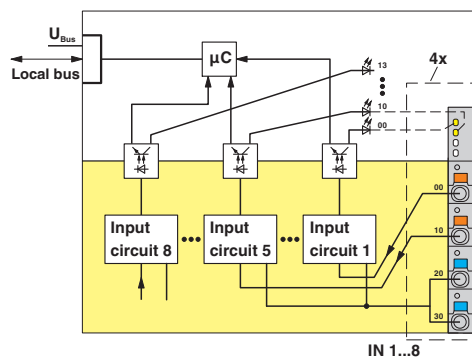


Connection of sensors when using external busbars

Dimensional drawing



Block diagram



Internal wiring of the terminal points

Approvals

Approvals

I/O module - AXL F DI8/2 110/220DC 1F - 2700684




Approvals

Approvals

UL Listed / cUL Listed / cULus Listed

Ex Approvals

Approval details

UL Listed		http://database.ul.com/cgi-bin/XYV/template/LISEXT/1FRAME/index.htm	FILE E 238705
cUL Listed		http://database.ul.com/cgi-bin/XYV/template/LISEXT/1FRAME/index.htm	FILE E 238705
cULus Listed			

Phoenix Contact 2018 © - all rights reserved
<http://www.phoenixcontact.com>

PHOENIX CONTACT GmbH & Co. KG
Flachsmarktstr. 8
32825 Blomberg
Germany
Tel. +49 5235 300
Fax +49 5235 3 41200
<http://www.phoenixcontact.com>