



Chipsmall Limited consists of a professional team with an average of over 10 year of expertise in the distribution of electronic components. Based in Hongkong, we have already established firm and mutual-benefit business relationships with customers from,Europe,America and south Asia,supplying obsolete and hard-to-find components to meet their specific needs.

With the principle of "Quality Parts,Customers Priority,Honest Operation,and Considerate Service",our business mainly focus on the distribution of electronic components. Line cards we deal with include Microchip,ALPS,ROHM,Xilinx,Pulse,ON,Everlight and Freescale. Main products comprise IC,Modules,Potentiometer,IC Socket,Relay,Connector.Our parts cover such applications as commercial,industrial, and automotives areas.

We are looking forward to setting up business relationship with you and hope to provide you with the best service and solution. Let us make a better world for our industry!



Contact us

Tel: +86-755-8981 8866 Fax: +86-755-8427 6832

Email & Skype: info@chipsmall.com Web: www.chipsmall.com

Address: A1208, Overseas Decoration Building, #122 Zhenhua RD., Futian, Shenzhen, China



Control box - FL RUGGED BOX - 2701204


Please be informed that the data shown in this PDF Document is generated from our Online Catalog. Please find the complete data in the user's documentation. Our General Terms of Use for Downloads are valid (<http://phoenixcontact.com/download>)



Control box for robust construction of wireless systems for industrial applications, IP66, 25 x 18 x 13 cm, polycarbonate material, gray, drilled, incl. DIN rail, plugs, and screw connections, without devices

RoHS

Key Commercial Data

Packing unit	1 STK
GTIN	 4 046356 724128
GTIN	4046356724128

Technical data

Dimensions

Width	174 mm
Height	254 mm
Depth	137 mm

Ambient conditions

Degree of protection	IP66
----------------------	------

Wireless set	Control box (with bore holes incl. sealing plugs, screw connections, and DIN rail)
--------------	--

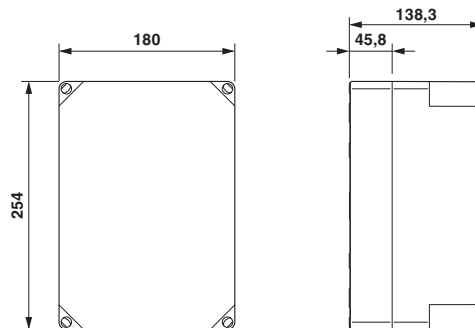
General

Housing material	Polycarbonate
------------------	---------------

Drawings

Control box - FL RUGGED BOX - 2701204

Dimensional drawing



Phoenix Contact 2018 © - all rights reserved
<http://www.phoenixcontact.com>

PHOENIX CONTACT GmbH & Co. KG
Flachmarktstr. 8
32825 Blomberg
Germany
Tel. +49 5235 300
Fax +49 5235 3 41200
<http://www.phoenixcontact.com>