



Chipsmall Limited consists of a professional team with an average of over 10 year of expertise in the distribution of electronic components. Based in Hongkong, we have already established firm and mutual-benefit business relationships with customers from,Europe,America and south Asia,supplying obsolete and hard-to-find components to meet their specific needs.

With the principle of “Quality Parts,Customers Priority,Honest Operation,and Considerate Service”,our business mainly focus on the distribution of electronic components. Line cards we deal with include Microchip,ALPS,ROHM,Xilinx,Pulse,ON,Everlight and Freescale. Main products comprise IC,Modules,Potentiometer,IC Socket,Relay,Connector.Our parts cover such applications as commercial,industrial, and automotives areas.

We are looking forward to setting up business relationship with you and hope to provide you with the best service and solution. Let us make a better world for our industry!



## Contact us

Tel: +86-755-8981 8866 Fax: +86-755-8427 6832

Email & Skype: info@chipsmall.com Web: www.chipsmall.com

Address: A1208, Overseas Decoration Building, #122 Zhenhua RD., Futian, Shenzhen, China



## Wireless elements - PSD-S WIN SET-1MA-3SL/UL - 2701563

Please be informed that the data shown in this PDF Document is generated from our Online Catalog. Please find the complete data in the user's documentation. Our General Terms of Use for Downloads are valid (<http://phoenixcontact.com/download>)




Set with C-UL-US approval for the WIN signal tower wireless system, consisting of one master with antenna, three slaves, software CD, USB cable (3 m), four rubber feet, and mounting material for wall mounting the master

### Why buy this product

- Existing signal towers can be extended without additional wiring
- Simultaneous detection of up to 50 wireless elements
- Can be operated parallel to other wireless applications
- Range of a wireless element with a free line of sight of up to 300 m
- Error messages can be sent via e-mail
- Repeater for increasing the range integrated in each wireless element



### Key Commercial Data

Packing unit	1 STK
GTIN	 4 046356 802000
GTIN	4046356802000

### Technical data

#### Note

Trade restriction	The products are offered exclusively for export outside the EU and the European Economic Area.
-------------------	--

#### Approvals / conformities

Electromagnetic compatibility	Conforms with guidelines: FCC Part 15.249/IC: RSS-210 Issue 8, RSS-GEN Issue 4, RSS-102 Issue 4
-------------------------------	---

#### Standards and Regulations

Electromagnetic compatibility	Conforms with guidelines: FCC Part 15.249/IC: RSS-210 Issue 8, RSS-GEN Issue 4, RSS-102 Issue 4
-------------------------------	---

#### Environmental Product Compliance

China RoHS	Environmentally friendly use period: unlimited = EFUP-e
------------	---

# Wireless elements - PSD-S WIN SET-1MA-3SL/UL - 2701563

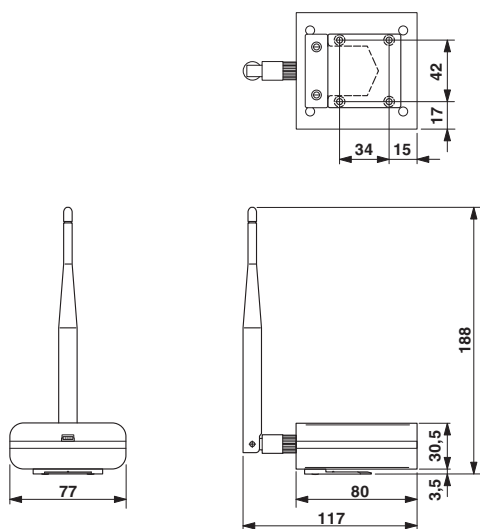
## Technical data

### Environmental Product Compliance

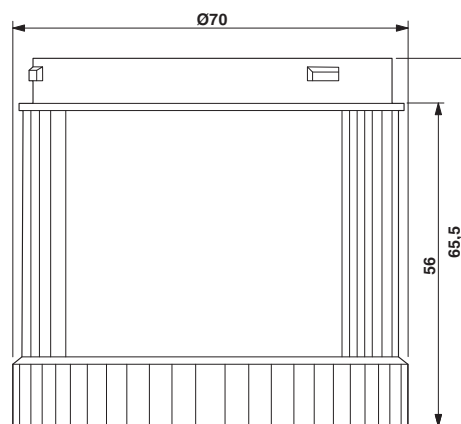
	No hazardous substances above threshold values
--	--

## Drawings

Dimensional drawing



Dimensional drawing



Slave

Master

## Articles in set

### Wireless elements - PSD-S WIN SL/UL - 2701565



Slave with C-UL-US approval for creating or extending the WIN signal tower wireless system, 24 V AC/DC, black

### Wireless elements - PSD-S WIN MA/UL - 2701664



Master with antenna for the WIN signal tower wireless system, with USB interface, voltage supply via USB interface, software CD, USB cable (3 m), four rubber feet and material for wall mounting of the master

Phoenix Contact 2017 © - all rights reserved  
<http://www.phoenixcontact.com>

PHOENIX CONTACT GmbH & Co. KG  
Flachmarktstr. 8  
32825 Blomberg  
Germany  
Tel. +49 5235 300  
Fax +49 5235 3 41200  
<http://www.phoenixcontact.com>