



Chipsmall Limited consists of a professional team with an average of over 10 year of expertise in the distribution of electronic components. Based in Hongkong, we have already established firm and mutual-benefit business relationships with customers from,Europe,America and south Asia,supplying obsolete and hard-to-find components to meet their specific needs.

With the principle of “Quality Parts,Customers Priority,Honest Operation,and Considerate Service”,our business mainly focus on the distribution of electronic components. Line cards we deal with include Microchip,ALPS,ROHM,Xilinx,Pulse,ON,Everlight and Freescale. Main products comprise IC,Modules,Potentiometer,IC Socket,Relay,Connector.Our parts cover such applications as commercial,industrial, and automotives areas.

We are looking forward to setting up business relationship with you and hope to provide you with the best service and solution. Let us make a better world for our industry!



Contact us

Tel: +86-755-8981 8866 Fax: +86-755-8427 6832

Email & Skype: info@chipsmall.com Web: www.chipsmall.com

Address: A1208, Overseas Decoration Building, #122 Zhenhua RD., Futian, Shenzhen, China



I/O module - AXL F DO4/3 AC 1F - 2702068

Please be informed that the data shown in this PDF Document is generated from our Online Catalog. Please find the complete data in the user's documentation. Our General Terms of Use for Downloads are valid (<http://phoenixcontact.com/download>)




Axioline F, Digital output module, Digital outputs: 4 (Triac outputs with zero voltage switch), 230 V AC, 2 A AC, connection method: 3-wire, transmission speed in the local bus: 100 Mbps, including bus base module and Axioline F connectors

Why buy this product

- 4 digital outputs
- Connection of actuators in 2 and 3-wire technology
- Device rating plate stored
- Diagnostic and status indicators

Key Commercial Data

Packing unit	1 STK
GTIN	 4 046356 933087
GTIN	4046356933087

Technical data

Dimensions

Width	53.6 mm
Height	126.1 mm
Depth	54 mm
Note on dimensions	The depth is valid when a TH 35-7,5 DIN rail is used (according to EN 60715).

Ambient conditions

Ambient temperature (operation)	-25 °C ... 60 °C (max. 2 A/channel for wall mounting on horizontal DIN rail; max. 1 A/channel for any mounting position)
	-25 °C ... 50 °C (max. 2 A/channel for any mounting position)
Ambient temperature (storage/transport)	-40 °C ... 85 °C
Permissible humidity (operation)	5 % ... 95 % (non-condensing)
Permissible humidity (storage/transport)	5 % ... 95 % (non-condensing)
Air pressure (operation)	70 kPa ... 106 kPa (up to 3000 m above sea level)

I/O module - AXL F DO4/3 AC 1F - 2702068

Technical data

Ambient conditions

Air pressure (storage/transport)	70 kPa ... 106 kPa (up to 3000 m above sea level)
Degree of protection	IP20

Connection data

Designation	Axiline F connector
Connection method	Push-in connection
Note on the connection method	Please observe the information provided on conductor cross sections in the "Axiline F: system and installation" user manual. When selecting the cables, please note that in the case of a small conductor cross section and high current, the terminal point temperature may be up to 30 K above the ambient temperature.
Conductor cross section solid min.	0.5 mm ²
Conductor cross section solid max.	1.5 mm ²
Conductor cross section flexible min.	0.5 mm ²
Conductor cross section flexible max.	1.5 mm ²
Conductor cross section AWG min.	20
Conductor cross section AWG max.	16
Stripping length	8 mm

General

Mounting type	DIN rail
Net weight	239 g
Note on weight specifications	with connectors and bus base module

Interfaces

Designation	Axiline F local bus
No. of channels	2
Connection method	Bus base module
Transmission speed	100 Mbps

Axiline potentials

Designation	Axiline F local bus supply (U _{Bus})
Supply voltage	5 V DC (via bus base module)
Current consumption	max. 120 mA
Power consumption	max. 600 mW
Designation	Supply for digital output modules (U _O)
Supply voltage	230 V AC
Supply voltage range	12 V AC ... 253 V AC (including all tolerances, including ripple, 50 ... 60 Hz)
Current consumption	max. 8 A (external fuse)
Power consumption	max. 2024 VA (of which 8 VA internal losses)
Type of protection	Surge protection of the supply voltage
Protection	max. 8 A

Digital outputs

I/O module - AXL F DO4/3 AC 1F - 2702068

Technical data

Digital outputs

Output name	Digital outputs
Connection method	Push-in connection
Connection technology	3-wire
Number of outputs	4 (Triac outputs with zero voltage switch)
Type of protection	External protection required
Output voltage	230 V AC
Nominal output voltage	230 V AC
Maximum output current per channel	2 A AC
Maximum output current per module	8 A AC (external fuse)
Nominal load, ohmic	max. 460 W (at nominal voltage)

Electrical isolation

Test section	I/Os / logic 4 kV Rated surge voltage (safe isolation according to EN 61010-2-201/IEC 61010-2-201)
	I/Os / logic 5 kV Pulse test voltage according to EN 61850/IEC 61850
	I/O / functional earth ground 4 kV Rated surge voltage (safe isolation according to EN 61010-2-201/IEC 61010-2-201)
	I/O / functional earth ground 5 kV Pulse test voltage according to EN 61850/IEC 61850
	I/O area AC / PE 4 kV Rated surge voltage (basic insulation according to EN 61010-2-201/IEC 61010-2-201)

Standards and Regulations

Mechanical tests	Vibration resistance in acc. with EN 60068-2-6/IEC 60068-2-6 5g
	Shock in acc. with EN 60068-2-27/IEC 60068-2-27 30g
	Continuous shock according to EN 60068-2-27/IEC 60068-2-27 10g
Developed according to standard	IEC 61850-3 Immunity to magnetic fields, EN 61000-4-8/IEC 61000-4-8 300 A/m continuous, 1000 A/m for 1 s
	IEC 61850-3 Immunity to attenuated oscillating magnetic fields, EN 61000-4-10/IEC 61000-4-10 100 A/m
	IEC 61850-3 Immunity to conducted common-mode interference, EN 61000-4-16/IEC 61000-4-16 30 V continuous, 300 V for 1 s
	IEC 61850-3 Attenuated oscillating waves, EN 61000-4-18/ IEC 61000-4-18 1 kV symmetrical, 2.5 kV asymmetrical

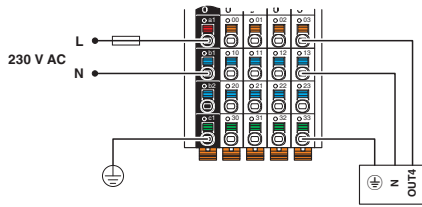
Environmental Product Compliance

China RoHS	Environmentally friendly use period: unlimited = EFUP-e
	No hazardous substances above threshold values

Drawings

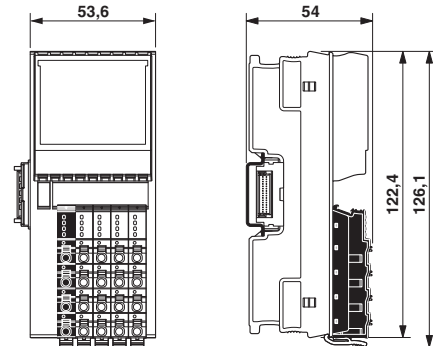
I/O module - AXL F DO4/3 AC 1F - 2702068

Connection diagram

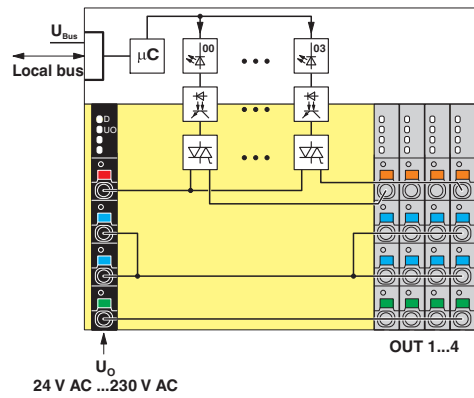


Connection with 3-wire technology

Dimensional drawing



Block diagram



Internal wiring of the terminal points

Approvals

Approvals

Approvals

UL Listed / cUL Listed / cULus Listed

Ex Approvals

Approval details

UL Listed



<http://database.ul.com/cgi-bin/XYV/template/LISEXT/1FRAME/index.htm>

FILE E 238705

I/O module - AXL F DO4/3 AC 1F - 2702068

Approvals

cUL Listed



<http://database.ul.com/cgi-bin/XYV/template/LISEXT/1FRAME/index.htm> FILE E 238705

cULus Listed



Phoenix Contact 2018 © - all rights reserved
<http://www.phoenixcontact.com>

PHOENIX CONTACT GmbH & Co. KG
Flachsmarktstr. 8
32825 Blomberg
Germany
Tel. +49 5235 300
Fax +49 5235 3 41200
<http://www.phoenixcontact.com>