



Chipsmall Limited consists of a professional team with an average of over 10 year of expertise in the distribution of electronic components. Based in Hongkong, we have already established firm and mutual-benefit business relationships with customers from,Europe,America and south Asia,supplying obsolete and hard-to-find components to meet their specific needs.

With the principle of “Quality Parts,Customers Priority,Honest Operation,and Considerate Service”,our business mainly focus on the distribution of electronic components. Line cards we deal with include Microchip,ALPS,ROHM,Xilinx,Pulse,ON,Everlight and Freescale. Main products comprise IC,Modules,Potentiometer,IC Socket,Relay,Connector.Our parts cover such applications as commercial,industrial, and automotives areas.

We are looking forward to setting up business relationship with you and hope to provide you with the best service and solution. Let us make a better world for our industry!



Contact us

Tel: +86-755-8981 8866 Fax: +86-755-8427 6832

Email & Skype: info@chipsmall.com Web: www.chipsmall.com

Address: A1208, Overseas Decoration Building, #122 Zhenhua RD., Futian, Shenzhen, China



Ethernet HART multiplexer - GW PL ETH/UNI-BUS - 2702233

Please be informed that the data shown in this PDF Document is generated from our Online Catalog. Please find the complete data in the user's documentation. Our General Terms of Use for Downloads are valid (<http://phoenixcontact.com/download>)



Modular gateway Ethernet head station with Modbus TCP, PROFINET, HART IP, FDT/DTM. Supports five expansion modules.

Key Commercial Data

Packing unit	1 STK
Weight per Piece (excluding packing)	220.000 g
Custom tariff number	85176200
Country of origin	Germany

Technical data

General

Degree of protection	IP20
Mounting position	any
Assembly instructions	on standard DIN rail NS 35 in accordance with EN 60715
Mounting type	DIN rail: 35 mm
Color	gray

Serial interface

Interface 1	Bus
Interface 2	Modbus/TCP, HART IP, PROFINET
Connection method	RJ45 socket, auto negotiation and auto crossing

Ambient conditions

Ambient temperature (operation)	-40 °C ... 70 °C
Ambient temperature (storage/transport)	-40 °C ... 85 °C

Dimensions

Width	22.5 mm
Height	114.5 mm
Depth	99 mm

Standards and Regulations

Ethernet HART multiplexer - GW PL ETH/UNI-BUS - 2702233

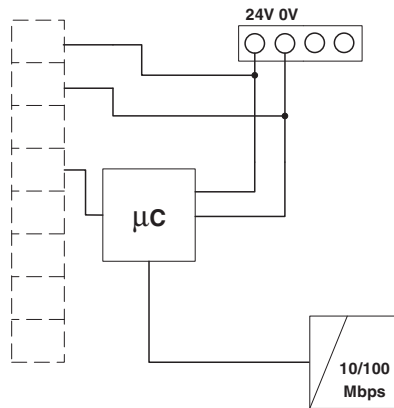
Technical data

Standards and Regulations

Electromagnetic compatibility	Conformance with EMC Directive 2004/108/EC
-------------------------------	--

Drawings

Block diagram



Classifications

eCl@ss

eCl@ss 5.1	27242208
eCl@ss 8.0	27242208
eCl@ss 9.0	27242208

ETIM

ETIM 5.0	EC001423
----------	----------

Approvals

Approvals

Approvals

UL Listed / cUL Listed / cULus Listed


Ex Approvals

UL Listed / cUL Listed / cULus Listed

Ethernet HART multiplexer - GW PL ETH/UNI-BUS - 2702233

Approvals

Approval details

UL Listed  <http://database.ul.com/cgi-bin/XYV/template/LISEXT/1FRAME/index.htm> FILE E 238705

cUL Listed  <http://database.ul.com/cgi-bin/XYV/template/LISEXT/1FRAME/index.htm> FILE E 238705

cULus Listed 

Accessories

Accessories

I/O component

Protocol converter - GW PL HART4-BUS - 2702234



Four-channel HART[®] expansion module, with screw connection

Protocol converter - GW PL HART8-BUS - 2702235



Eight-channel HART[®] expansion module, with screw connection

Protocol converter - GW PL HART8+AI-BUS - 2702236



Eight-channel HART[®] expansion module with analog loop supply and screw connection

Ethernet HART multiplexer - GW PL ETH/UNI-BUS - 2702233

Accessories

Protocol converter - GW PL DIO4-BUS - 2702237



Four-channel digital input and four-channel digital output module with screw connection
