



Chipsmall Limited consists of a professional team with an average of over 10 year of expertise in the distribution of electronic components. Based in Hongkong, we have already established firm and mutual-benefit business relationships with customers from,Europe,America and south Asia,supplying obsolete and hard-to-find components to meet their specific needs.

With the principle of “Quality Parts,Customers Priority,Honest Operation,and Considerate Service”,our business mainly focus on the distribution of electronic components. Line cards we deal with include Microchip,ALPS,ROHM,Xilinx,Pulse,ON,Everlight and Freescale. Main products comprise IC,Modules,Potentiometer,IC Socket,Relay,Connector.Our parts cover such applications as commercial,industrial, and automotives areas.

We are looking forward to setting up business relationship with you and hope to provide you with the best service and solution. Let us make a better world for our industry!



Contact us

Tel: +86-755-8981 8866 Fax: +86-755-8427 6832

Email & Skype: info@chipsmall.com Web: www.chipsmall.com

Address: A1208, Overseas Decoration Building, #122 Zhenhua RD., Futian, Shenzhen, China



Interface converters - GW DEVICE SERVER 1E/1DB9 - 2702758


Please be informed that the data shown in this PDF Document is generated from our Online Catalog. Please find the complete data in the user's documentation. Our General Terms of Use for Downloads are valid (<http://phoenixcontact.com/download>)



Serial device server for converting serial data (RS-232/422/485) to Ethernet data (RJ45). Supports TCP and UDP protocols. COM port redirector software and Windows drivers are available for download. Includes one RJ45 port and one D-SUB 9 port.



Key Commercial Data

| | |
|--------------|---|
| Packing unit | 1 STK |
| GTIN |  4 055626 339153 |
| GTIN | 4055626339153 |

Technical data

Note

| | |
|-------------------------|---|
| Utilization restriction | EMC: class A product, see manufacturer's declaration in the download area |
|-------------------------|---|

Dimensions

| | |
|--------|---------|
| Width | 22.5 mm |
| Height | 99 mm |
| Depth | 115 mm |

Ambient conditions

| | |
|--|--------------------------------|
| Ambient temperature (operation) | -40 °C ... 70 °C |
| Ambient temperature (storage/transport) | -40 °C ... 80 °C |
| Permissible humidity (operation) | 10 % ... 95 % (non-condensing) |
| Permissible humidity (storage/transport) | 5 % ... 95 % (non-condensing) |
| Altitude | < 2000 m |
| Degree of protection | IP20 |
| Noise immunity | EN 61000-6-2:2005 |

General

| | |
|----------------------|----------------------------------|
| Electrical isolation | IEC UL 61010-1 (VCC // Ethernet) |
|----------------------|----------------------------------|

Interface converters - GW DEVICE SERVER 1E/1DB9 - 2702758

Technical data

General

| | |
|--|---|
| Test voltage data interface/data interface | 1.5 kV _{rms} (50 Hz, 1 min.) |
| Test voltage data interface/power supply | 1.5 kV _{rms} |
| | 1.5 kV _{rms} (50 Hz, 1 min.) |
| Standards/regulations | EN 55022, EN 55024 |
| Electromagnetic compatibility | Conformance with EMC Directive 2014/30/EU |
| Noise emission | EN 61000-6-4 |
| Net weight | 111 g |
| Housing material | PA 6.6 |
| Color | gray |
| MTBF | 92.1 Years (Telcordia standard, 25°C temperature, 50% stress, Environmental Factor = 1.0) |
| | 61.4 Years (Telcordia standard, 40°C temperature, 50% stress, Environmental Factor = 1.5) |
| Conformance | CE-compliant |
| UL, USA | UL 61010-1 |
| UL, USA/Canada | Class I, Div. 2, Groups A, B, C, D T4A |

Power supply

| | |
|---------------------------------------|---|
| Supply voltage range | 10.8 V DC ... 30 V DC (via pluggable COMBICON screw terminal block) |
| Max. current consumption | 60 mA (24 V DC) |
| Typical current consumption | 48 mA (24 V DC) |
| Conductor cross section flexible max. | 2.50 mm ² |
| Conductor cross section flexible min. | 0.20 mm ² |
| Conductor cross section AWG max. | 12 |
| Conductor cross section AWG min. | 24 |

Serial interface

| | |
|-----------------------------|---|
| Interface 1 | Ethernet interface, 10/100Base-T(X) in acc. with IEEE 802.3u |
| Interface | Ethernet |
| No. of ports | 1 |
| Connection method | RJ45 socket, shielded |
| Transmission length | ≤ 100 m (shielded twisted pair) |
| Protocols supported | TCP/IP, UDP, ASCII |
| Auxiliary protocols | ARP, DHCP (Client), PING |
| Serial transmission speed | 10/100 Mbps, auto negotiation |
| Interface | RS-232 |
| Number of connections | 1 |
| Connection method | D-SUB 9 plug |
| File format/coding | 5/6/7/8 Data bits, 1/2 Stop bits, None/Even/Odd/Mark/Space Parity |
| Transmission length | 15 m |
| Data flow control/protocols | Software handshake, Xon/Xoff or hardware handshake RTS/CTS |
| Serial transmission speed | 0.3; 0.6; 1.2; 2.4; 4.8; 9.6; 19.2; 38.4; 57.6; 115.2; 230.4 Kbps |

Interface converters - GW DEVICE SERVER 1E/1DB9 - 2702758

Technical data

Serial interface

| | |
|---------------------------|---|
| Interface | RS-422 |
| Number of connections | 1 |
| Connection method | D-SUB 9 plug |
| File format/coding | 5/6/7/8 Data bits, 1/2 Stop bits, None/Even/Odd/Mark/Space Parity |
| Transmission length | ≤ 1200 m |
| | 120 Ω (configurable) |
| Serial transmission speed | 0.3; 0.6; 1.2; 2.4; 4.8; 9.6; 19.2; 38.4; 57.6; 115.2; 230.4 Kbps |
| Interface | RS-485 |
| Number of connections | 1 |
| Connection method | D-SUB 9 plug |
| File format/coding | 5/6/7/8 Data bits, 1/2 Stop bits, None/Even/Odd/Mark/Space Parity |
| Termination resistor | 120 Ω (configurable) |
| Serial transmission speed | 0.3; 0.6; 1.2; 2.4; 4.8; 9.6; 19.2; 38.4; 57.6; 115.2; 230.4 Kbps |

Function

| | |
|----------------------|----------------------|
| Web-based management | yes |
| Management | Web-based management |

Standards and Regulations

| | |
|-------------------------------|--|
| Electromagnetic compatibility | Conformance with EMC Directive 2014/30/EU |
| Type of test | Vibration resistance in acc. with EN 60068-2-6/IEC 60068-2-6 |
| | Shock in acc. with EN 60068-2-27/IEC 60068-2-27 |
| Noise emission | EN 61000-6-4 |
| Noise immunity | EN 61000-6-2:2005 |
| Standards/regulations | EN 55022, EN 55024 |
| Conformance | CE-compliant |
| UL, USA | UL 61010-1 |
| UL, USA/Canada | Class I, Div. 2, Groups A, B, C, D T4A |
| Noxious gas test | ISA-S71.04-1985 G3 Harsh Group A |
| ATEX | DEMKO 18ATEX 2026X: II 3 G Ex ec IIC T4 Gc |
| IECEX | IECEX UL 18.0023X Ex ec IIC T4 Gc |

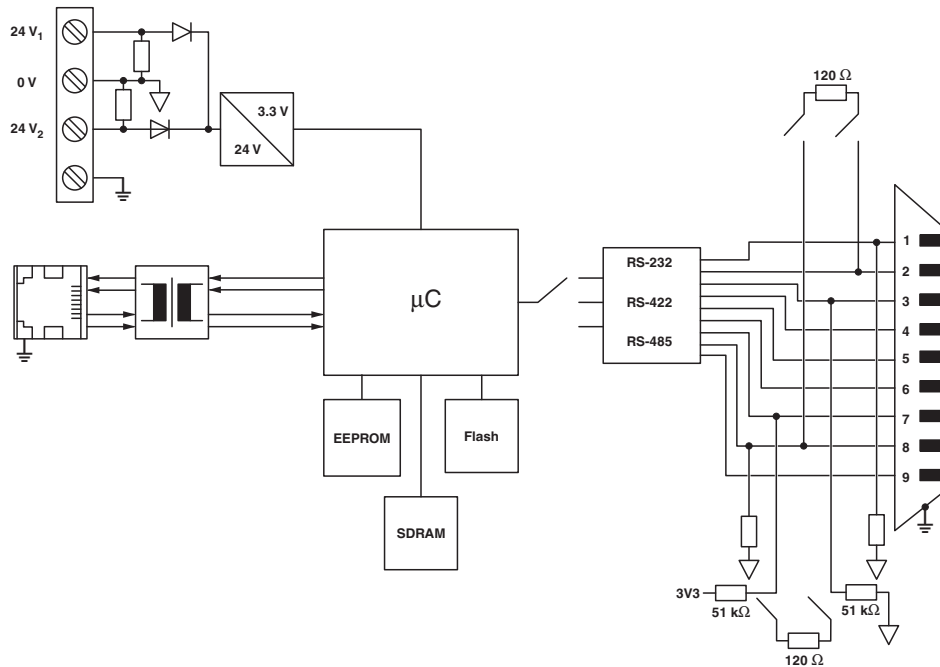
Environmental Product Compliance

| | |
|------------|---|
| REACH SVHC | Lead 7439-92-1 |
| China RoHS | Environmentally Friendly Use Period = 50 |
| | For details about hazardous substances go to tab "Downloads", Category "Manufacturer's declaration" |

Drawings

Interface converters - GW DEVICE SERVER 1E/1DB9 - 2702758

Block diagram



Approvals

Approvals

Approvals

UL Listed / cUL Listed / cULus Listed

Ex Approvals

UL Listed / cUL Listed / cULus Listed

Approval details

| | | | |
|-----------|--|---|---------------|
| UL Listed | | http://database.ul.com/cgi-bin/XYV/template/LISEXT/1FRAME/index.htm | FILE E 238705 |
|-----------|--|---|---------------|

| | | | |
|------------|--|---|---------------|
| cUL Listed | | http://database.ul.com/cgi-bin/XYV/template/LISEXT/1FRAME/index.htm | FILE E 238705 |
|------------|--|---|---------------|

| | | | |
|--------------|--|--|--|
| cULus Listed | | | |
|--------------|--|--|--|

Phoenix Contact 2018 © - all rights reserved
<http://www.phoenixcontact.com>

PHOENIX CONTACT GmbH & Co. KG
Flachsmarktstr. 8
32825 Blomberg
Germany
Tel. +49 5235 300
Fax +49 5235 3 41200
<http://www.phoenixcontact.com>