



Chipsmall Limited consists of a professional team with an average of over 10 year of expertise in the distribution of electronic components. Based in Hongkong, we have already established firm and mutual-benefit business relationships with customers from,Europe,America and south Asia,supplying obsolete and hard-to-find components to meet their specific needs.

With the principle of "Quality Parts,Customers Priority,Honest Operation,and Considerate Service",our business mainly focus on the distribution of electronic components. Line cards we deal with include Microchip,ALPS,ROHM,Xilinx,Pulse,ON,Everlight and Freescale. Main products comprise IC,Modules,Potentiometer,IC Socket,Relay,Connector.Our parts cover such applications as commercial,industrial, and automotives areas.

We are looking forward to setting up business relationship with you and hope to provide you with the best service and solution. Let us make a better world for our industry!



## Contact us

Tel: +86-755-8981 8866 Fax: +86-755-8427 6832

Email & Skype: info@chipsmall.com Web: www.chipsmall.com

Address: A1208, Overseas Decoration Building, #122 Zhenhua RD., Futian, Shenzhen, China



# FL MC 10/100BASE-T/FO G1300

Order No.: 2708164



<http://eshop.phoenixcontact.de/phoenix/treeViewClick.do?UID=2708164>


FO converter, for converting 10/100BASE-T(X) to multimode glass fiber, (1300 nm), SC duplex FO connection, rail-mountable, supply 24 V DC



Ethernet



## Commercial data

GTIN (EAN)	 4 017918 932701
sales group	H650
Pack	1 pcs.
Customs tariff	85176200
Catalog page information	Page 529 (IF-2009)

## Product notes

WEEE/RoHS-compliant since:  
03/08/2007



<http://www.download.phoenixcontact.com>  
Please note that the data given here has been taken from the online catalog. For comprehensive information and data, please refer to the user documentation. The General Terms and Conditions of Use apply to Internet downloads.

## Technical data

### Serial interface

Interface 1	Ethernet interface, 10/100BASE-T(X) in acc. with IEEE 802.3u
Transmission length	100 m (twisted pair, shielded)
Type of connection	RJ45 female connector, shielded

Auto-negotiation modes	Optionally transparent via TP and FO (default) or locally on TP
Link through	Link down is automatically forwarded to the second connection
MDI/MDI-X switchover	Built-in switch for line (1:1) and crossover connection
Signal LEDs	Activity (yellow), Link status (green), 100 Mbps (green)
Serial transmission speed	10/100 Mbps

#### Optical interface FO

Transmit capacity, minimum	min. -23.5 dBm ((50/125 µm) dynamic in link mode (average))
	min. -20 dBm ((62,5/125 µm) dynamic in link mode (average))
	min. -20.5 dBm ((50/125 µm) static)
	min. -17 dBm ((62,5/125 µm) static)
Transmit capacity, maximum	max. -14 dBm ((50/125 µm) dynamic in link mode (average))
	max. -14 dBm ((62,5/125 µm) dynamic in link mode (average))
	max. -11 dBm ((50/125 µm) static)
	max. -11 dBm ((62,5/125 µm) static)
Minimum receiver sensitivity	min. -31.00 dBm (dynamic in link mode (average))
	min. -28.00 dBm (static)
Wavelength	1300 nm
Transmission length incl. 3 dB system reserve	6.4 km (with F-G 50/125 0,7 dB/km F 1200)
	2.8 km (with F-G 50/125 1,6 dB/km F 800)
	10 km (with F-G 62,5/125 0,7 dB/km F 1000)
	3 km (with F-G 62,5/125 2.6 dB/km F 600)
	2 km (with 2GK200/230 GI-HCS)
Type of connection	SC duplex

#### Power supply

Nominal supply voltage	24 V DC ±20 % (via pluggable COMBICON screw terminal block)
	24 V DC ±5% (as an alternative or redundant, via backplane bus contact and system current supply)
Typical current consumption	≤ 95 mA (24 V DC)
Protective circuit	Protection against polarity reversal
Type of connection	Plug-in screw terminal block (COMBICON), redundancy possible

#### General data

Width	22.5 mm
Height	99 mm
Depth	114.5 mm

Ambient temperature (operation)	0 °C ... 55 °C
Electrical isolation	10/100Base-T // supply
Test voltage data interface/power supply	1500 V
Electromagnetic compatibility	Conformance with EMC directive 89/336/EEC
Noise emission	EN 50081-2
Noise immunity	EN 61000-6-2:2005
Degree of protection	IP20
Net weight	120 g
Housing material	PA V0, color green
Color	green
MTBF	595 Years (Telcordia standard, 25°C temperature, 21% operating cycle (5 days a week, 8 hours a day)) 156 Years (Telcordia standard, 40°C temperature, 34.25% operating cycle (5 days a week, 12 hours a day))
ATEX	Ex II 3 G Ex nAC IIC T4 X
UL, USA / Canada	Class I, zone 2, AEx nc IIC

#### Certificates / Approvals



Certification	CUL, UL
Certification Ex:	CUL-EX LIS, UL-EX LIS

#### Accessories

Item	Designation	Description
<b>Cable/conductor</b>		
2744830	FL CAT5 FLEX	CAT5-SF/UTP cable (J-LI02YS(ST)C H 2 x 2 x 26 AWG), light-duty, flexible installation cable 2 x 2 x 0.14 mm <sup>2</sup> , stranded, shielded, outer sheath: 5.75 mm ± 0.15 mm diameter
2744814	FL CAT5 HEAVY	CAT5-SF/UTP cable (J-02YS(ST)C HP 2 x 2 x 24 AWG), heavy-duty installation cable, 2 x 2 x 0.22 mm <sup>2</sup> , solid conductor, shielded, outer sheath: 7.8 mm diameter, inner sheath: 5.75 mm ± 0.15 mm diameter

**General**

2707437	ME 22,5 TBUS 1,5/ 5-ST-3,81 GN	DIN rail connector for current transducers, gold-plated contacts, for DIN rail mounting, 5-pos.
2866983	MINI-SYS-PS-100-240AC/24DC/1.5	DIN rail power supply unit, primary-switched mode, slim design, output: 24 V DC / 1.5 A

**Plug/Adapter**

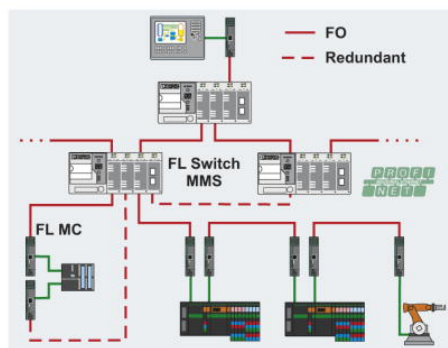
2744571	FL PLUG RJ45 GN/2	RJ45 connector, shielded, with bend protection sleeve, 2 pieces, green for crossed cables, for assembly on site. For connections that are crossed, it is recommended that the connector set with green bend protection sleeves is used.
2744856	FL PLUG RJ45 GR/2	RJ45 connector, shielded, with bend protection sleeve, 2 pieces, gray for straight cables, for assembly on site. For connections that are not crossed, it is recommended that you use the connector set with gray bend protection sleeve.

**Tools**

2744869	FL CRIMPTOOL	Crimping pliers, for assembling the RJ45 connectors FL PLUG RJ45..., for assembly on site
---------	--------------	---

**Diagrams/Drawings**

Functional drawing



Star, linear, and redundant ring structure in combination with modular switches

**Address**

PHOENIX CONTACT Deutschland GmbH  
Flachmarktstr. 8  
32825 Blomberg, Germany  
Phone +49 5235 3 12000  
Fax +49 5235 3 41200  
<http://www.phoenixcontact.de>



© 2011 Phoenix Contact  
Technical modifications reserved;