



Chipsmall Limited consists of a professional team with an average of over 10 year of expertise in the distribution of electronic components. Based in Hongkong, we have already established firm and mutual-benefit business relationships with customers from,Europe,America and south Asia,supplying obsolete and hard-to-find components to meet their specific needs.

With the principle of “Quality Parts,Customers Priority,Honest Operation,and Considerate Service”,our business mainly focus on the distribution of electronic components. Line cards we deal with include Microchip,ALPS,ROHM,Xilinx,Pulse,ON,Everlight and Freescale. Main products comprise IC,Modules,Potentiometer,IC Socket,Relay,Connector.Our parts cover such applications as commercial,industrial, and automotives areas.

We are looking forward to setting up business relationship with you and hope to provide you with the best service and solution. Let us make a better world for our industry!



Contact us

Tel: +86-755-8981 8866 Fax: +86-755-8427 6832

Email & Skype: info@chipsmall.com Web: www.chipsmall.com

Address: A1208, Overseas Decoration Building, #122 Zhenhua RD., Futian, Shenzhen, China



SUBCON-PLUS-CAN/SC2

Order No.: 2708999




<http://eshop.phoenixcontact.de/phoenix/treeViewClick.do?UID=2708999>

D-SUB connector, 9-pos. female connector, two cable entries < 35° to two terminal block rows, bus system: CAN, CANopen, SafetyBUS p up to 1 Mbps, termination resistor can be switched on via slide switch, pin assignment: 2, 3, 6, 7, 9; screw connection terminal blocks

CANopen  SafetyBUS p 

Commercial data

GTIN (EAN)	 4 046356 082341
sales group	H631
Pack	1 pcs.
Customs tariff	85366990
Catalog page information	Page 553 (IF-2009)

Product notes

WEEE/RoHS-compliant since:
02/15/2007



<http://www.download.phoenixcontact.com>
Please note that the data given here has been taken from the online catalog. For comprehensive information and data, please refer to the user documentation. The General Terms and Conditions of Use apply to Internet downloads.

Technical data

General data

Nominal voltage U_N	60 V AC/DC
Nominal current I_N	1 A
Bus system	CAN, CANopen, SafetyBus-P

Insertion/withdrawal cycles	> 200
Max. cable diameter	8.4 mm
Min. cable diameter	7.6 mm
SUBCON fixing screws	4-40 UNC
Tightening torque	0.4 Nm
Ambient temperature (operation)	-20 °C ... 75 °C
Housing material	ABS, metal-plated
Pin assignment	2, 3, 6, 7, 9
Width	16.6 mm
Height	39.4 mm
Length	58 mm

Connection data

Connection	D-SUB connection
Number of positions	9
Type of connection	D-SUB socket
Termination resistor	120 Ω (Can be connected externally)
Connection	PCB connection
Type of connection	Screw connection
Conductor cross section solid min.	0.14 mm ²
Conductor cross section solid max.	1.5 mm ²
Conductor cross section stranded min.	0.14 mm ²
Conductor cross section stranded max.	1 mm ²
Conductor cross section AWG/kcmil min.	26
Conductor cross section AWG/kcmil max	16
Stripping length	5 mm
Tightening torque	0.4 Nm

Certificates / Approvals



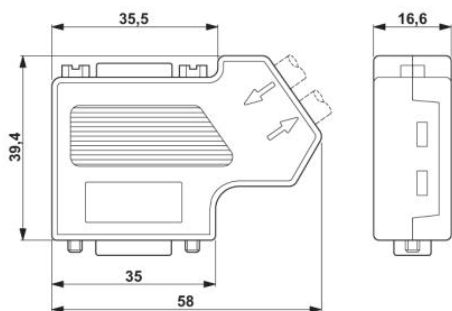
Certification CUL, UL

Accessories

Item	Designation	Description
General		
1205150	SZK PH1 VDE	Screwdriver, PH crosshead, VDE insulated, size: PH 1 x 80 mm, 2-component grip, with non-slip grip
Tools		
1204384	QUICK WIREFOX 6	Stripping tool for cables with PVC insulation, stripping range: 0.08 to 6 mm ² , wire cutting up to 6 mm ² flexible or 4 mm ² rigid
1204504	SZF 0-0,4X2,5	Actuation tool, for ST terminal blocks, also suitable for use as a bladed screwdriver, size: 0.4 x 2.5 x 75 mm, 2-component grip, with non-slip grip

Diagrams/Drawings

Dimensioned drawing



Address

PHOENIX CONTACT Deutschland GmbH
Flachmarktstr. 8
32825 Blomberg, Germany
Phone +49 5235 3 12000
Fax +49 5235 3 41200
<http://www.phoenixcontact.de>



© 2011 Phoenix Contact
Technical modifications reserved;