



Chipsmall Limited consists of a professional team with an average of over 10 year of expertise in the distribution of electronic components. Based in Hongkong, we have already established firm and mutual-benefit business relationships with customers from,Europe,America and south Asia,supplying obsolete and hard-to-find components to meet their specific needs.

With the principle of "Quality Parts,Customers Priority,Honest Operation,and Considerate Service",our business mainly focus on the distribution of electronic components. Line cards we deal with include Microchip,ALPS,ROHM,Xilinx,Pulse,ON,Everlight and Freescale. Main products comprise IC,Modules,Potentiometer,IC Socket,Relay,Connector.Our parts cover such applications as commercial,industrial, and automotives areas.

We are looking forward to setting up business relationship with you and hope to provide you with the best service and solution. Let us make a better world for our industry!



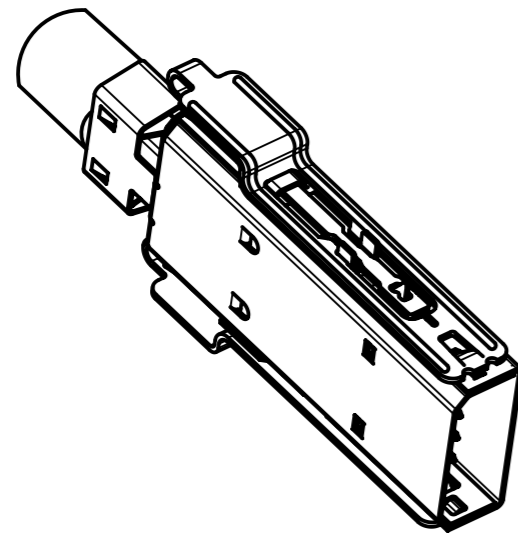
Contact us

Tel: +86-755-8981 8866 Fax: +86-755-8427 6832

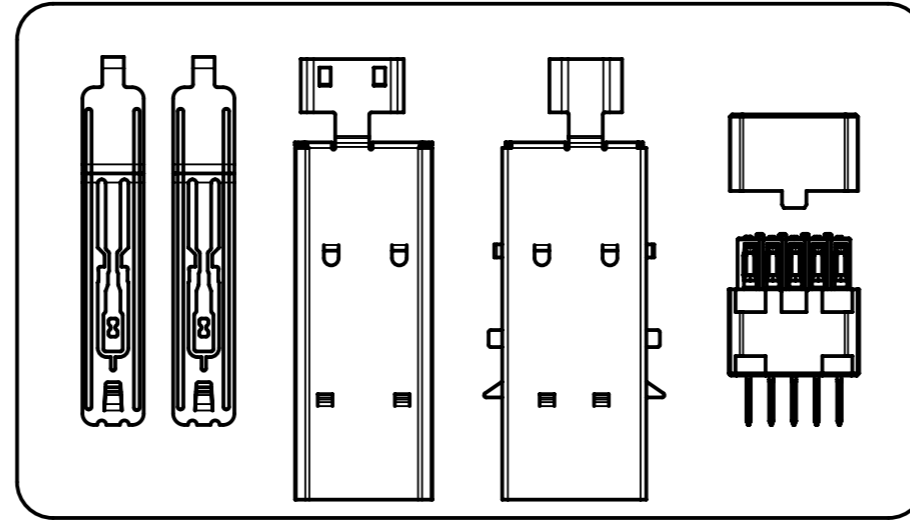
Email & Skype: info@chipsmall.com Web: www.chipsmall.com

Address: A1208, Overseas Decoration Building, #122 Zhenhua RD., Futian, Shenzhen, China

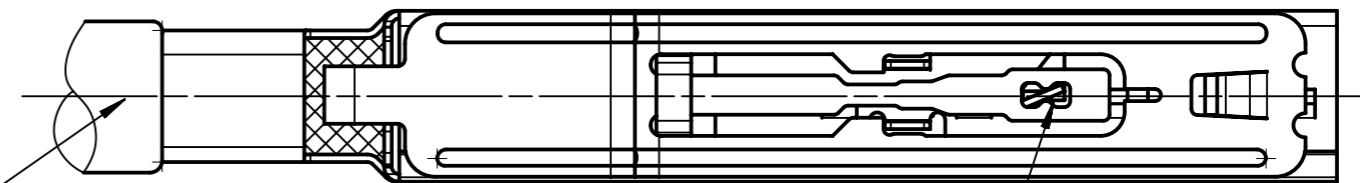
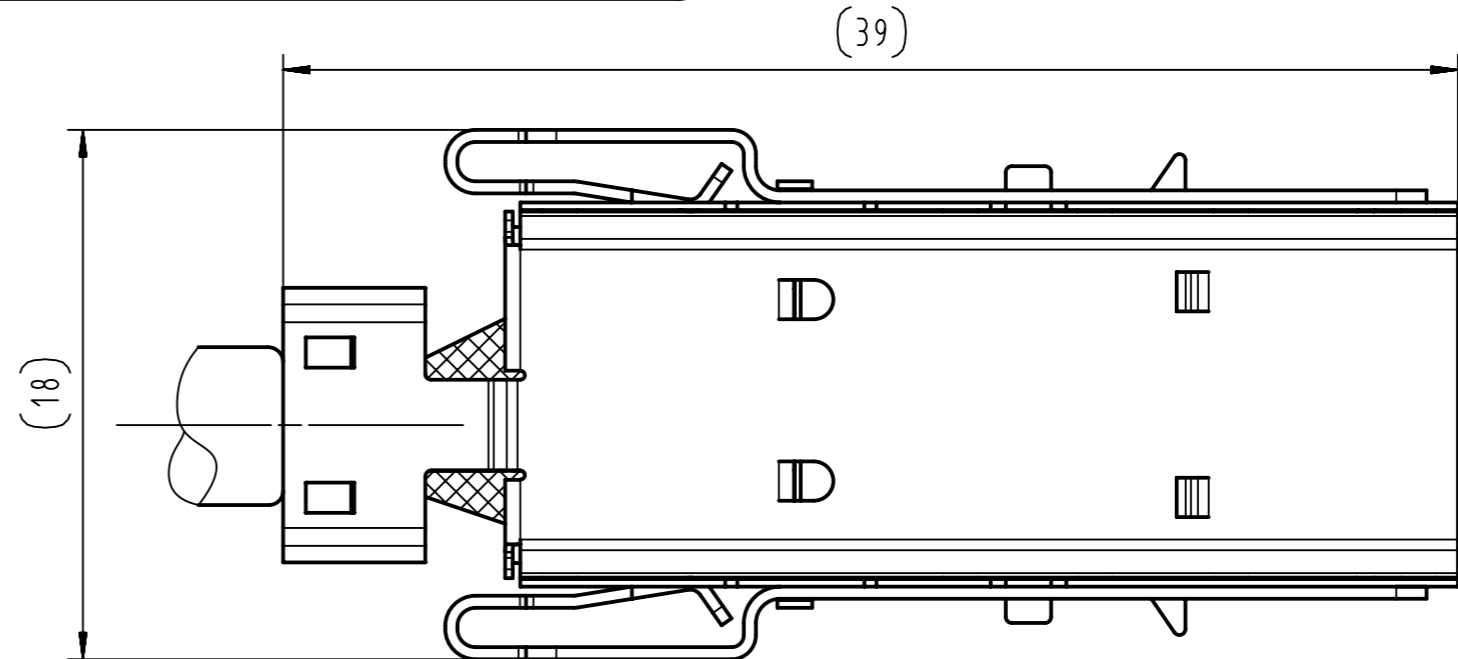
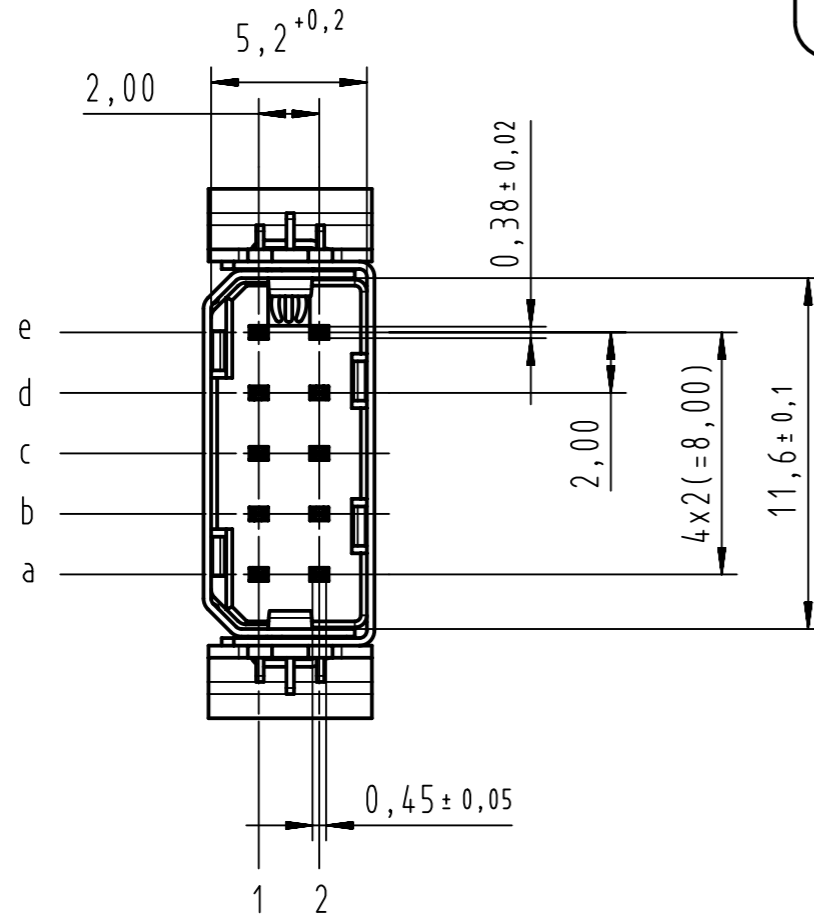
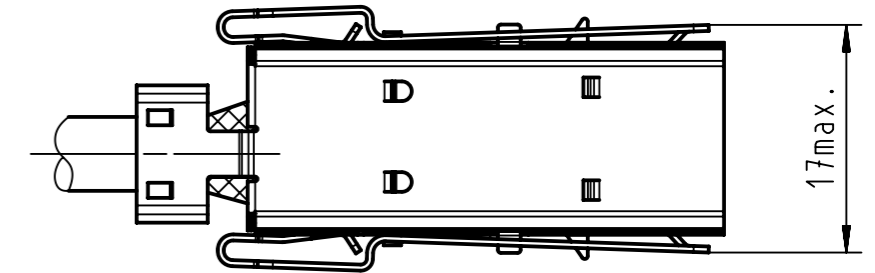




PACKAGING PIECE PARTS



AFTER LATCHES OPENING



Twisting (from 20° to 45°) of front stop over central blade is recommended.

Recommended cable:

Outer insulation diameter 5.33 ± 0.25
Wires gauge from AWG 30 to AWG 24.

	All Dimensions in mm Original Size DIN A3	Scale 5:1	Free size tol.	Ref. Sub.
	All rights reserved Department EC PD - CN	Created by LUOK	Inspected by WANGSTE	Standardisation HOFFMANN
HARTING Electronics GmbH D-32339 Espelkamp	Title har-link male solder bucket			Doc-Key / ECM-Nr. 100228792/UGD/002/B 50000054690
	Type TB	Number 27111222001	Rev. B	State Final Release
				Page 1/1