



Chipsmall Limited consists of a professional team with an average of over 10 year of expertise in the distribution of electronic components. Based in Hongkong, we have already established firm and mutual-benefit business relationships with customers from,Europe,America and south Asia,supplying obsolete and hard-to-find components to meet their specific needs.

With the principle of “Quality Parts,Customers Priority,Honest Operation,and Considerate Service”,our business mainly focus on the distribution of electronic components. Line cards we deal with include Microchip,ALPS,ROHM,Xilinx,Pulse,ON,Everlight and Freescale. Main products comprise IC,Modules,Potentiometer,IC Socket,Relay,Connector.Our parts cover such applications as commercial,industrial, and automotives areas.

We are looking forward to setting up business relationship with you and hope to provide you with the best service and solution. Let us make a better world for our industry!



Contact us

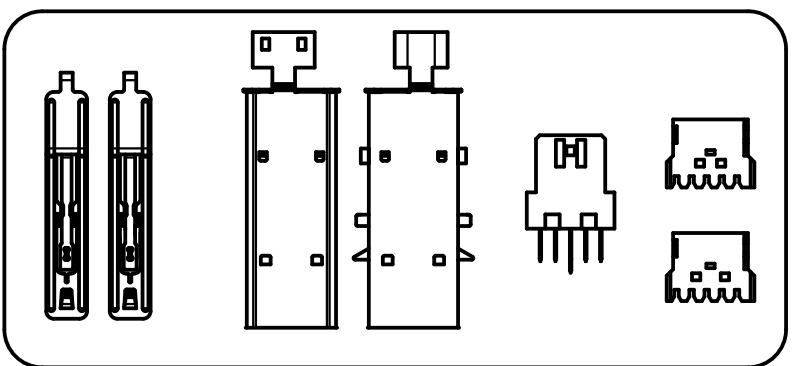
Tel: +86-755-8981 8866 Fax: +86-755-8427 6832

Email & Skype: info@chipsmall.com Web: www.chipsmall.com

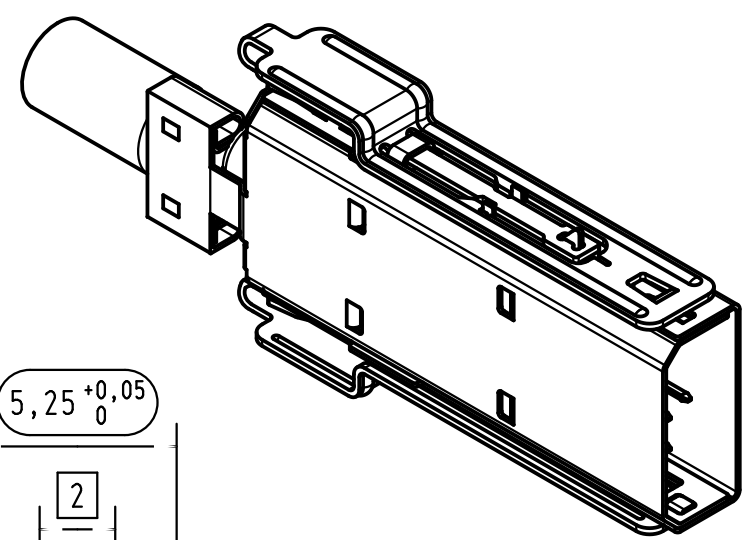
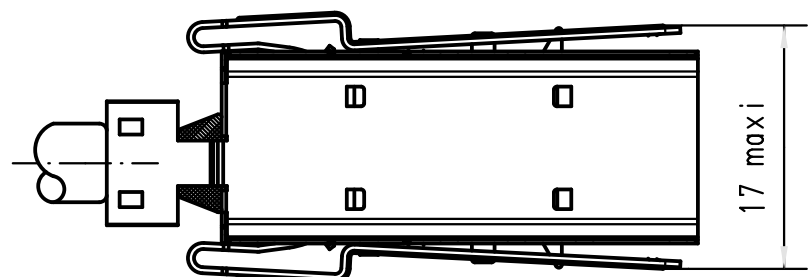
Address: A1208, Overseas Decoration Building, #122 Zhenhua RD., Futian, Shenzhen, China



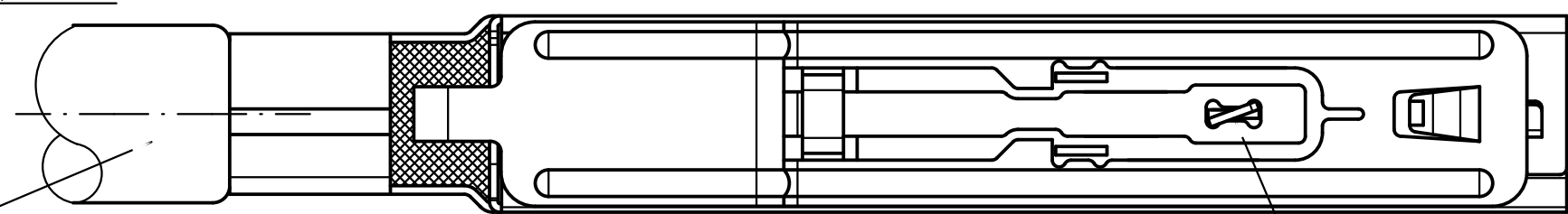
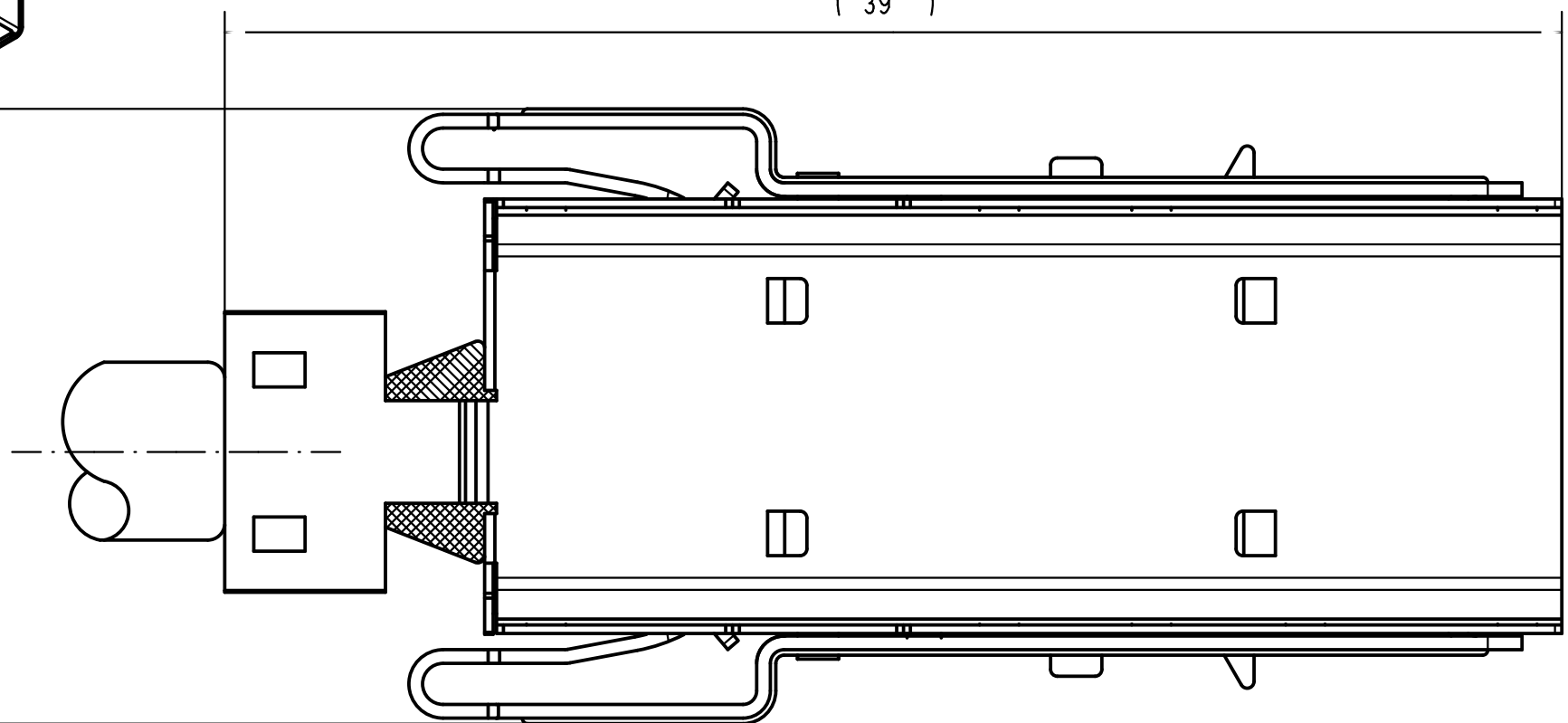
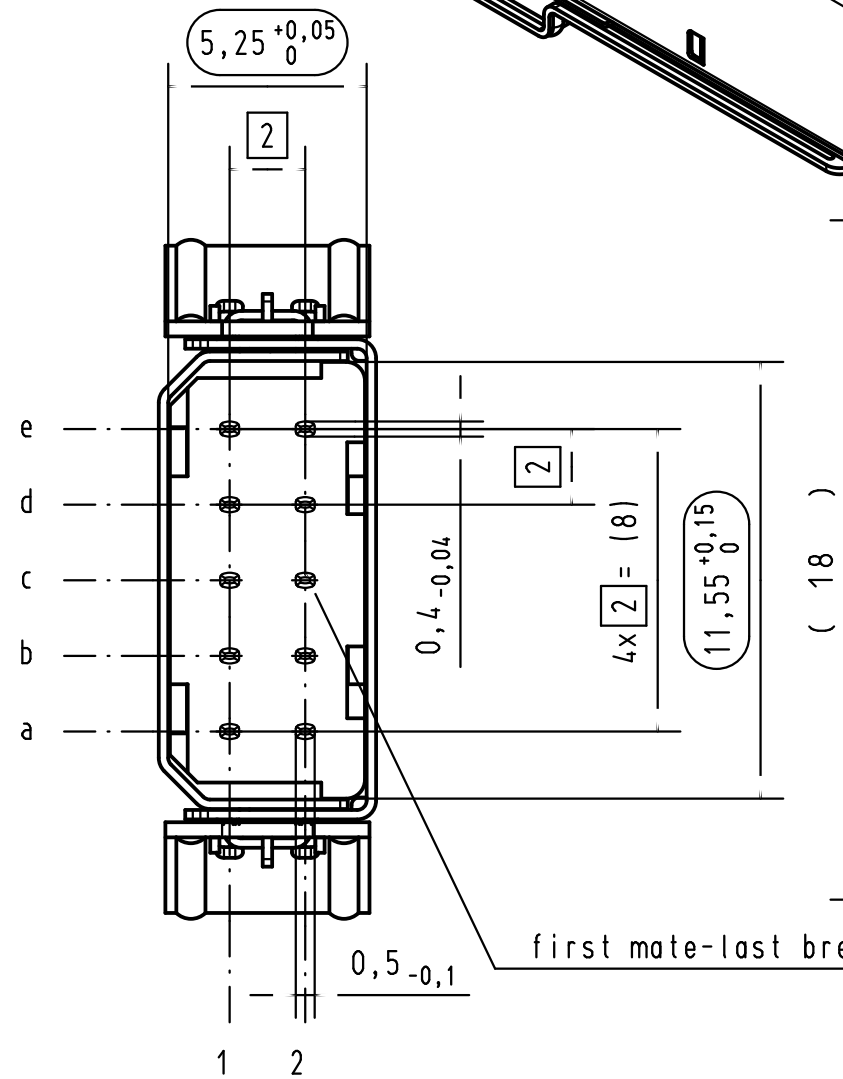
PACKAGING PIECE PARTS



AFTER LATCHES OPENING



(39)

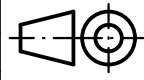



first mate-last break pin(2c)

recommended cable
 outer insulation diameter 5.33+/-0.25mm
 wire insulation diameter
 0.50 to 0.65mm for 1c and 2c contacts
 0.65 to 0.80mm for others
 wire conductor AWG28/7-AWG30/7-AWG30/1

twisting (from 20° to 45°) of front stop over central blade is recommended.

Alle Rechte vorbehalten/ All rights reserved

				Det.	Name	 har.link® DS-Link cable free male IDC connector with two locking levers	All Dim. in mm Orig. Size DIN A 3	Moßstab/ Scale 5:1
EC01859	07-MAY-10	JB	Insp.	05-JAN-01	JB			
33256	08-NOV-05	JB	Stand.					
27968	16-JAN-01	JB						
27966	05-JAN-01	JB						
Mod.	Det.	Name	HARTING EURL F-95972 Paris				TB 27 11 161 8001	Blatt/ Page 1/1
							Sub.	TB 27 11 161 8001.02