



Chipsmall Limited consists of a professional team with an average of over 10 year of expertise in the distribution of electronic components. Based in Hongkong, we have already established firm and mutual-benefit business relationships with customers from,Europe,America and south Asia,supplying obsolete and hard-to-find components to meet their specific needs.

With the principle of “Quality Parts,Customers Priority,Honest Operation,and Considerate Service”,our business mainly focus on the distribution of electronic components. Line cards we deal with include Microchip,ALPS,ROHM,Xilinx,Pulse,ON,Everlight and Freescale. Main products comprise IC,Modules,Potentiometer,IC Socket,Relay,Connector.Our parts cover such applications as commercial,industrial, and automotives areas.

We are looking forward to setting up business relationship with you and hope to provide you with the best service and solution. Let us make a better world for our industry!



Contact us

Tel: +86-755-8981 8866 Fax: +86-755-8427 6832

Email & Skype: info@chipsmall.com Web: www.chipsmall.com

Address: A1208, Overseas Decoration Building, #122 Zhenhua RD., Futian, Shenzhen, China



I/O module - IB ST 24 BAO 8/U-8B - 2721031

Please be informed that the data shown in this PDF Document is generated from our Online Catalog. Please find the complete data in the user's documentation. Our General Terms of Use for Downloads are valid (<http://phoenixcontact.com/download>)



INTERBUS-ST analog output module, D/A resolution 13-bit, 8 outputs, 0 to 10 V, consisting of: Terminal part with screw connection and module electronics

Product description

INTERBUS ST standard analog output modules

These 8-channel output modules are an inexpensive alternative in applications with many analog actuators.

In addition to the standard output voltage of -10 to +10 V, the IB ST 24 BAO 8/U offers an extended output range of -12 to +12 V.


If the high 12-bit resolution of the output value is not necessary, the IB ST 24 BAO 8/U-8B gives you the option of saving PLC memory by combining two channels of 8 bits each into one data word. Further features are:

- Diagnostic LEDs provide information on the operating status at any time.
- All modules can be individually labeled on the large pull-out labeling field. The insert cards can be prepared by hand, or by plotter or printer.
- In the event of failure or malfunction, the electronics of the module can be easily replaced. The passive termination block remains mounted on the rail. This means that the replacement process can be carried out in a just a few seconds and without the need for tools.
- The fuses are accessible from outside, so that a fault can be cleared quickly.
- The connection to protective earth ground is made directly via the DIN rail.
- The conventional labeling materials (Zack strip ZB-6, etc.) can be used to label the termination blocks.

Product Features

- Standard signal types (voltage and current)
- Temperature measurement modules
- 8 analog bipolar outputs
- Connection of actuators in 2-wire technology

Key commercial data

Packing unit	1 pc
GTIN	 4 017918 140335
Weight per Piece (excluding packing)	651.5 GRM
Custom tariff number	85389091
Country of origin	Germany

Technical data

Note

I/O module - IB ST 24 BAO 8/U-8B - 2721031

Technical data

Note

Utilization restriction	EMC: class A product, see manufacturer's declaration in the download area
-------------------------	---

Dimensions

Width	118 mm
Height	117 mm
Length	116 mm

Interfaces

Interface	ST local bus
Connection method	ST local bus connector
Transmission speed	500 kBit/s

Power supply

Communications power U_L	9 V DC (from the ST local bus)
Typical current consumption	150 mA (at U_S)
I/O voltage	± 24 V DC 5 % (ripple)
I/O voltage range	18.5 V DC ... 30.2 V DC
Max. power consumption from the local bus	120 mA (from the ST local bus)
	100 mA (from the ST local bus)

Electrical isolation

Test section	Bus/Outputs 500 V AC 50 Hz 1 min
	Supply voltage/Outputs 500 V AC 50 Hz 1 min
	Supply voltage/Ground conductor 500 V AC 50 Hz 1 min
	I/O voltage/Ground conductor 500 V AC 50 Hz 1 min

Outputs

No. of channels	8
Connection method	2-wire
	Screw connection
Voltage output signal	-10 V ... 10 V (max. 1 mA)
	-12 V ... 12 V
	0 V ... 10 V
Load/output load voltage output	> 10 k Ω
Basic error limit	0.1 %
Representation of output values	8 bits straight-binary
Transmission of output values from the control system	All channels simultaneously in 4 process data words
DAC resolution	8 Bit
Process data update	2.5 ms (incl. slew rate)

I/O module - IB ST 24 BAO 8/U-8B - 2721031

Technical data

General

Weight	600 g
--------	-------

Classifications

eCl@ss

eCl@ss 4.0	27250303
eCl@ss 4.1	27250303
eCl@ss 5.0	27250303
eCl@ss 5.1	27242601
eCl@ss 6.0	27242601
eCl@ss 7.0	27242601
eCl@ss 8.0	27242601

ETIM

ETIM 2.0	EC001431
ETIM 3.0	EC001596
ETIM 4.0	EC001596
ETIM 5.0	EC001596

UNSPSC

UNSPSC 6.01	43172015
UNSPSC 7.0901	43201404
UNSPSC 11	43172015
UNSPSC 12.01	43201404
UNSPSC 13.2	43201404

Approvals

Approvals

Approvals

GOST

Ex Approvals

Approvals submitted

I/O module - IB ST 24 BAO 8/U-8B - 2721031

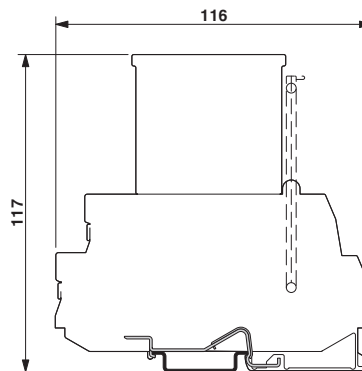
Approvals

Approval details



Drawings

Dimensioned drawing



I/O module - IB ST 24 BAO 8/U-8B - 2721031

Connection diagram

